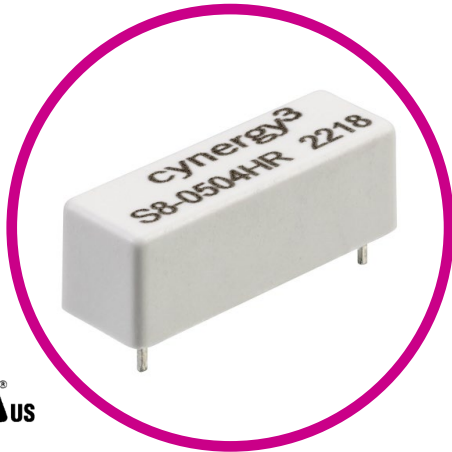


| S8-HR SERIES

UL APPROVED* MINIATURE HIGH VOLTAGE RELAY WITH HIGH INSULATION RESISTANCE



The S8-HR series is a UL* approved miniature high voltage reed relay for applications where space saving is a prime consideration.

The coil pins are positioned near the center of the relay while the contact pins are near the ends to give improved isolation between the high voltage contacts and the low voltage coil.

Features

- Space saving package
- Up to 1000V switching voltage
- Isolation Voltage 7kV contact to coil
- 2.5A carry current
- Isolation Voltage across contacts 4kV or 5kV (dependent on coil voltage)
- UL approved

SPECIFICATIONS

Contact		Condition	5V coil	12V coil	24V coil
Switch Action			SPST (Form A)		
Material			Rhodium		
Isolation Across Contacts	kV	DC or AC peak	4	4	5
Switching Power Max.	VA	(W for V variants)	100		
Switching Voltage Max.	V		350dc/300ac (1000Vdc & ac peak for V variants)		
Switching Current Max.	A	DC or AC peak	1.0		
Carry Current Max	A	DC	2.5		
Capacitance Across Contacts	pF	coil to screen grounded	0.5 (typical)		
Lifetime Operations		dry switching	10 ⁹		
		100W switching	10 ⁷		
Contact Resistance	mΩ max		150		
Insulation Resistance	Ω (nominal)		10 ¹⁴		
Coil					
Must Operate Voltage	V	DC	4	9.6	19
Must Release Voltage	V	DC	1	2	3
Operate Time	ms	diode fitted	1	1	1
Release Time	ms	diode fitted	0.5	0.5	0.5
Resistance	Ω		120	750	1550

Note. The operate / release voltage and coil resistance will change at a rate of 0.4% per degree C. Values are stated at room temperature (20 degrees C)

Relay		Condition	5V coil	12V coil	24V coil
Isolation Contact/Coil	kV			7	
Insulation Resistance Contact to all Terminals	Ω_{\min} (typical)				
Environmental Conditions					
Operating Temp Range	°C			-40 to +85*	
Storage Temp Range	°C			-40 to +125	
* UL approved for use at up to 75°C					



STANDARD PARTS

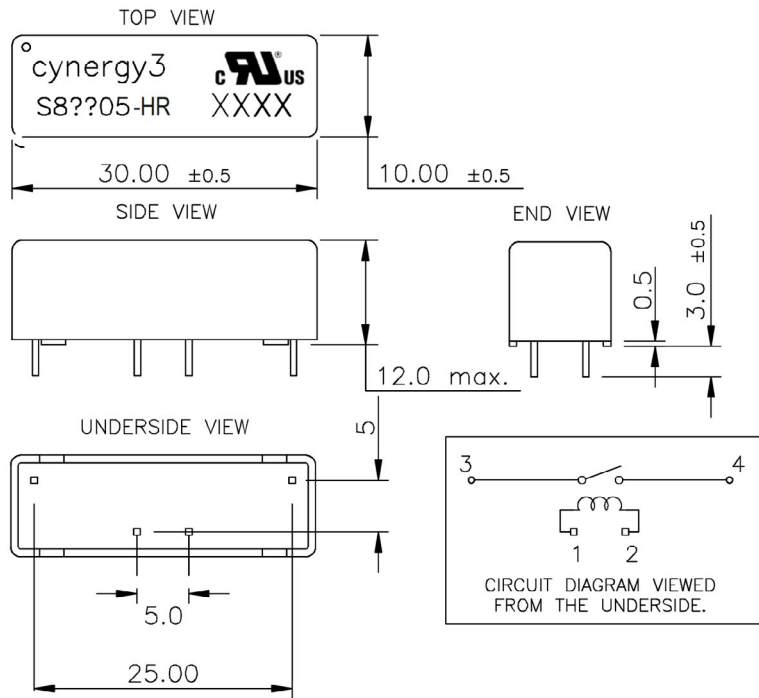
	Coil Voltage Vdc	Isolation Across Contacts kV	Max. Switching Voltage Vdc (Vac peak)
S8-0504-HR	5	4	350 (300)
S8-0504V-HR	5	4	1000 (1000)
S8-1204-HR	12	4	350 (300)
S8-1204V-HR	12	4	1000 (1000)
S8-2405-HR	24	5	350 (300)
S8-2405V-HR	24	5	1000 (1000)

Custom versions can be designed for particular applications. Please contact Sensata with your requirements.



DIMENSIONS

All dimensions are in millimeters.



Pins 0.635mm Square ±0.05mm.

Pins 1 & 2 Tin over Nickel plated, on CuSn6 Phosphor Bronze.

Pins 3 & 4 Tin plated on NiFe Nickel Iron.

Case Material Nylon.

Encapsulant: Epoxy

*Consult factory for UL ratings

These products have been UL approved for use as per pollution degree 2 classification.

If you require further information as to how this may affect product usage, please contact c3w_sales@sensata.com.

Distributor



amstechnologies
where technologies meet solutions

info@amstechnologies.com
www.amstechnologies-webshop.com

Contact us



Sensata Technologies, Inc. ("Sensata") data sheets are solely intended to assist designers ("Buyers") who are developing systems that incorporate Sensata products (also referred to herein as "components"). Buyer understands and agrees that Buyer remains responsible for using its independent analysis, evaluation and judgment in designing Buyer's systems and products. Sensata data sheets have been created using standard laboratory conditions and engineering practices. Sensata has not conducted any testing other than that specifically described in the published documentation for a particular data sheet. Sensata may make corrections, enhancements, improvements and other changes to its data sheets or components without notice.

Buyers are authorized to use Sensata data sheets with the Sensata component(s) identified in each particular data sheet. HOWEVER, NO OTHER LICENSE, EXPRESS OR IMPLIED, BY ESTOPPEL OR OTHERWISE TO ANY OTHER SENSATA INTELLECTUAL PROPERTY RIGHT, AND NO LICENSE TO ANY THIRD PARTY TECHNOLOGY OR INTELLECTUAL PROPERTY RIGHT, IS GRANTED HEREIN. SENSATA DATA SHEETS ARE PROVIDED "AS IS". SENSATA MAKES NO WARRANTIES OR REPRESENTATIONS WITH REGARD TO THE DATA SHEETS OR USE OF THE DATA SHEETS, EXPRESS, IMPLIED OR STATUTORY, INCLUDING ACCURACY OR COMPLETENESS. SENSATA DISCLAIMS ANY WARRANTY OF TITLE AND ANY IMPLIED WARRANTIES OF MERCHANTABILITY, FITNESS FOR A PARTICULAR PURPOSE, QUIET ENJOYMENT, QUIET POSSESSION, AND NON-INFRINGEMENT OF ANY THIRD PARTY INTELLECTUAL PROPERTY RIGHTS WITH REGARD TO SENSATA DATA SHEETS OR USE THEREOF.

All products are sold subject to Sensata's terms and conditions of sale supplied at www.sensata.com SENSATA ASSUMES NO LIABILITY FOR APPLICATIONS ASSISTANCE OR THE DESIGN OF BUYERS' PRODUCTS. BUYER ACKNOWLEDGES AND AGREES THAT IT IS SOLELY RESPONSIBLE FOR COMPLIANCE WITH ALL LEGAL, REGULATORY AND SAFETY-RELATED REQUIREMENTS CONCERNING ITS PRODUCTS, AND ANY USE OF SENSATA COMPONENTS IN ITS APPLICATIONS, NOTWITHSTANDING ANY APPLICATIONS-RELATED INFORMATION OR SUPPORT THAT MAY BE PROVIDED BY SENSATA.

Mailing Address: Sensata Technologies, Inc., 529 Pleasant Street, Attleboro, MA 02703, USA.