



Distributor  
**amSTECHNOLOGIES**  
where technologies meet solutions

info@amstechnologies.com  
www.amstechnologies-webshop.com

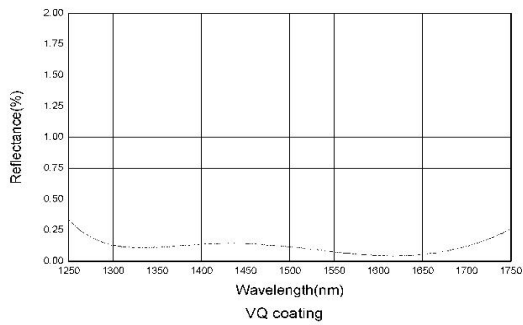
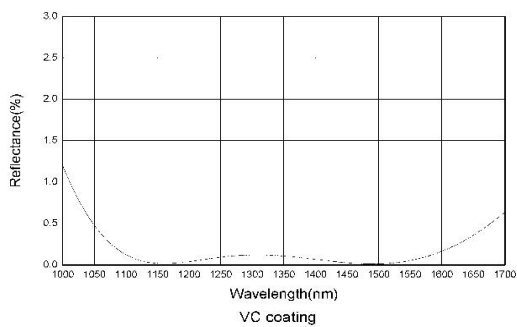
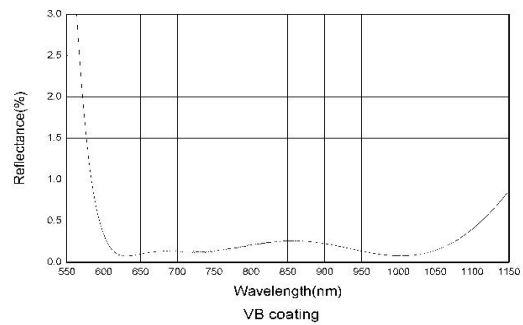
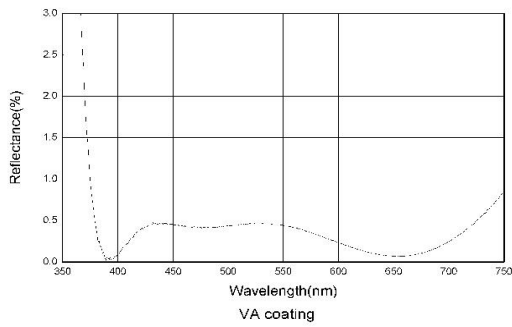
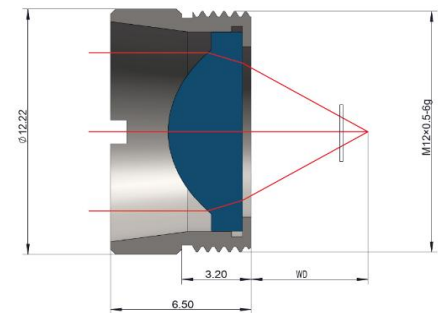
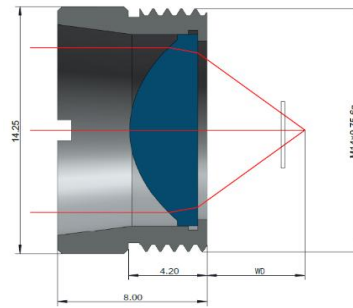
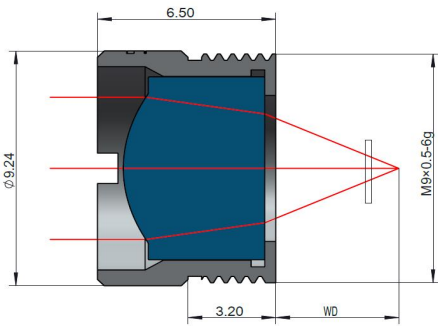
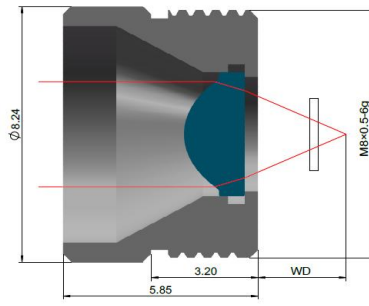
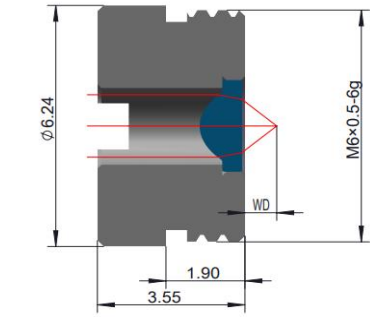


## Mounted Molded Glass Aspheric Lenses

Lens Code	Thread	OD	EFL	Lens NA	CA	Wavelength
	mm	mm	mm		mm	nm
MD1560	MT6	6.24	1.50	0.58	1.60	780
MF2570	MT8	8.24	2.50	0.66	3.30	405
ME2860	MT8	8.24	2.80	0.64	3.60	830
MD3170	MT9	9.24	3.10	0.68	5.00	830
MD4060	MT9	9.24	4.00	0.64	5.10	685
MG4060	MT9	9.24	4.00	0.60	4.80	408
MD4530	MT6	6.24	4.50	0.30	2.70	635
MD4540	MT8	8.24	4.50	0.40	3.70	980
ME4560	MT9	9.24	4.50	0.55	5.07	780
MD4650	MT9	9.24	4.60	0.54	4.80	655
MD5020	MT6	6.24	5.00	0.15	1.60	1550
MD5560	MT9	9.24	5.50	0.58	6.00	635
MD6020	MT8	8.24	6.00	0.21	2.50	1550
MD6230	MT8	8.24	6.20	0.30	3.70	635
ME6240	MT9	9.24	6.20	0.40	5.00	780
ME7530	MT9	9.24	7.50	0.30	4.54	780
MD8050	MT12	12.22	8.00	0.50	8.00	780
MD9630	MT9	9.24	9.60	0.27	5.20	635
MD9930	MT9	9.24	9.90	0.27	5.20	650
MDA050	MT14	14.25	10.00	0.51	10.00	635
MDA130	MT9	9.24	11.00	0.25	5.50	635
MDA320	MT9	9.24	13.00	0.20	5.50	635
MDA520	MT9	9.24	15.30	0.16	5.00	785
MDA820	MT9	9.24	18.40	0.15	5.50	785
MDB210	MT9	9.24	22.00	0.13	5.50	670

*All the glass material we selected is according to RoHS requirements.*

Standard Coating		
VA	380~700nm	Ravg ≤ 0.5%
VB	600~1100nm	Ravg ≤ 0.6%
VC	1050~1650nm	Ravg ≤ 0.5%
VQ	1300-1700nm	Ravg ≤ 0.25%



Distributor



[info@amstechnologies.com](mailto:info@amstechnologies.com)  
[www.amstechnologies-webshop.com](http://www.amstechnologies-webshop.com)

**Contact us** 