

Distributor



ams TECHNOLOGIES
where technologies meet solutions

info@amstechnologies.com
www.amstechnologies-webshop.com

Contact us 

nL Level

Nano-volume, Ultra-High-Precision Dispensing

Additional power for nano-deposit / high-precision dispensing, filling of liquid medicines, solvents and volatile materials



- ◆ **High stability dispensing** by digital control and measurement system.
- ◆ **Elimination of fluid drips issue** by unique plunger mechanism and suck-back function.
- ◆ Also compatible with micro-syringes, for **high-precision dispensing of liquid material nano-deposits.**

Suitable products

LSI, IC, hybrid IC, transistors, diodes, color LCD, PCBs and other types of semiconductors, LCD substrates and electronic components. Products with precision mechanisms such as watches, cameras and optical equipment, as well as medical supplies and foodstuff.

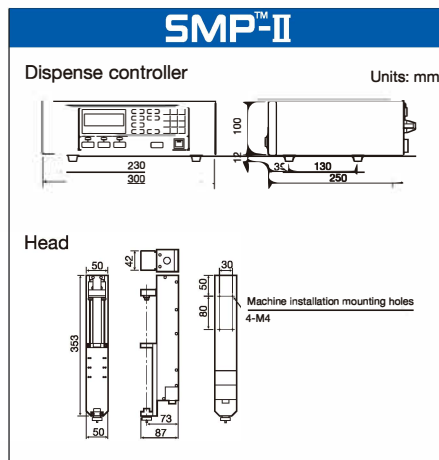
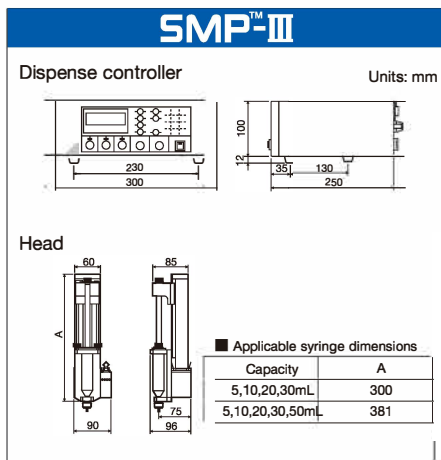
Applications

Nano-deposit filling, micro-deposit dispensing, spot applications, line applications, adhesives, potting, etc.

Specifications

| | | | |
|--------------------------------------|-----------------------------------------------------------------------------------------------------------------------------------------------------------------------------------------------------------------------------------------------------------------------------------------------------------------------------------------------------------------------------------------------------------------------------------------------------------------------------------------------------------------------------------------------------------------------------------------------------------------------------------------------------|--------------------------------|------------------------------------------------------------------------------------------------------------------------------------------------------------------------------------------------------------------------------------------------------------------------------------|
| Product name | Nano-volume Quantitative Dispenser NANO MASTER | | |
| Model | SMP-III 30 mL Type | SMP-III 50 mL Type | SMP-II |
| Dispenser Controller Model | SMP-3-30 | SMP-3-50 | SMP-2 |
| Dispensing system | Volume measurement system | | |
| Control system | Microcomputer digital control system | | |
| Applicable liquid materials | Anaerobic adhesive, silicon resin, liquid medicine, UV adhesive, volatile liquid material, flux, ink | | |
| Applicable syringe | 0.05, 0.5, 1, 5 or 10 mL micro-syringe 5, 10, 20 or 30 mL syringe | 5, 10, 20, 30 or 50 mL syringe | |
| Dispensing modes | TIMED mode, MANUAL mode, FINE mode/NORMAL mode | | |
| Dispensing volume setting range | With 0.05 mL micro-syringe selected...0.0001 to 500.0000 μ L With 0.5 mL micro-syringe selected...0.001 to 500.000 μ L With 1 mL micro-syringe selected...0.001 to 1000.000 μ L With 5 mL micro-syringe selected...0.01 to 5000.00 μ L With 10 mL micro-syringe selected...0.01 to 10000.00 μ L With 5 mL syringe selected.....0.004 to 5000.000 μ L With 10 mL syringe selected.....0.005 to 10000.000 μ L With 20 mL syringe selected.....0.009 to 20000.000 μ L With 30 mL syringe selected.....0.009 to 30000.000 μ L With 50 mL syringe selected.....0.009 to 50000.000 μ L | | With 5 mL syringe selected...0.1 to 5000.0 μ L With 10 mL syringe selected...0.1 to 10000.0 μ L With 20 mL syringe selected...0.1 to 20000.0 μ L With 30 mL syringe selected...0.1 to 30000.0 μ L With 50 mL syringe selected...0.1 to 48818.3 μ L |
| Main functions | Automatic low fluid alarm, suck back, Synchro Speed, dispensing shot counter, stop watch, unit display switch, Japanese-English display switch | | |
| Channel number | 400 CH | | |
| RS-232C serial communication | Available | | |
| Input signals | Dispense, channel switching, dispensing mode switching, channel preset, channel step, Synchro Speed ON | | |
| Output signals | Dispensing completion/in-dispensing (selectable), busy, error, remaining volume alert, in-maintenance, in-limit, power on, replacement required, operating direction | | |
| Rated voltage and frequency | AC100-240 V 50/60 Hz | | |
| Power consumption | 45 W | 55 W | |
| Conformity standards | CE marking machinery directive (low-voltage directive, EMC directive) EU RoHS | | |
| Dispense head unit dimensions W*D*H | W90.5xD122.5xH300 mm | W90.5xD122.5xH381 mm | W50xD87xH352.5 mm |
| Weight of dispense head unit | 2.3 kg | 2.5 kg | 1.8 kg |
| Dispense controller dimensions W*D*H | W300xD250xH111 mm | | |
| Weight of dispense controller | 4.5 kg | | |

External Dimensions



Example of desktop robot installation



Safety precaution
Make sure to read the instruction manual before you use the unit, for your safety.

* We reserve the right to change the specifications without notice.
* All copyrights are retained by MUSASHI ENGINEERING. Reprinting, reproducing, and/or transmitting as electronic data in whole or in part these material without prior written permission is strictly prohibited.

MUSASHI ENGINEERING, INC. is certified and registered according to ISO14001 ENVIRONMENTAL MANAGEMENT.



<https://musashi-engineering.de>

World Leading Dispenser
MUSASHI ENGINEERING, INC.

Distributor
amSTECHNOLOGIES
where technologies meet solutions

info@amstechnologies.com
www.amstechnologies-webshop.com

Contact us