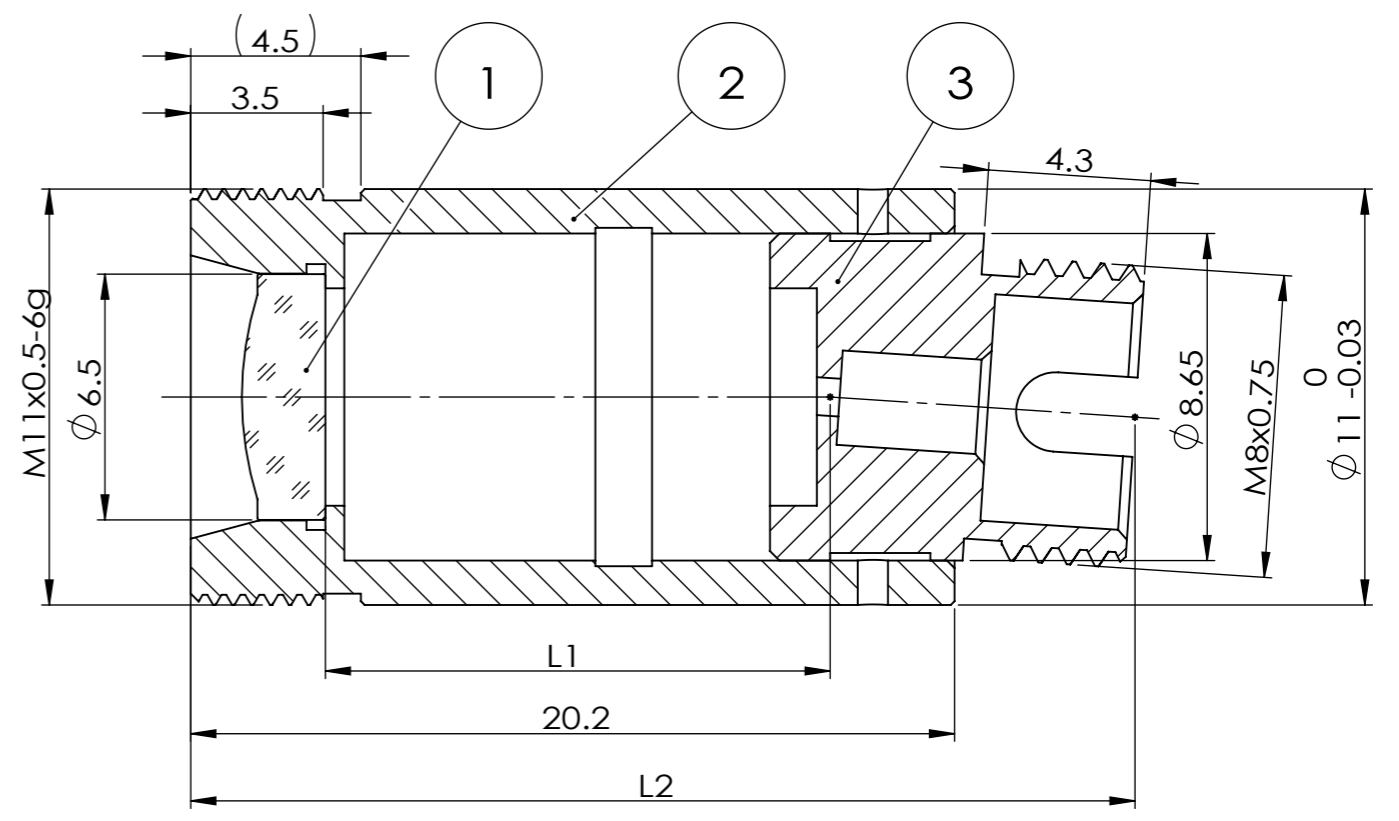
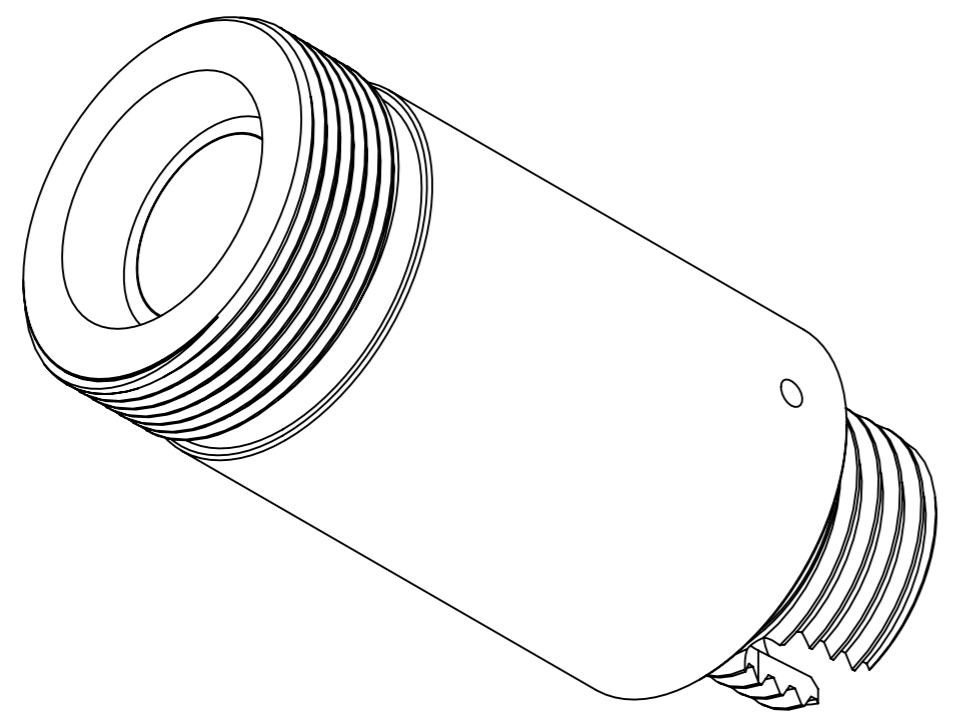


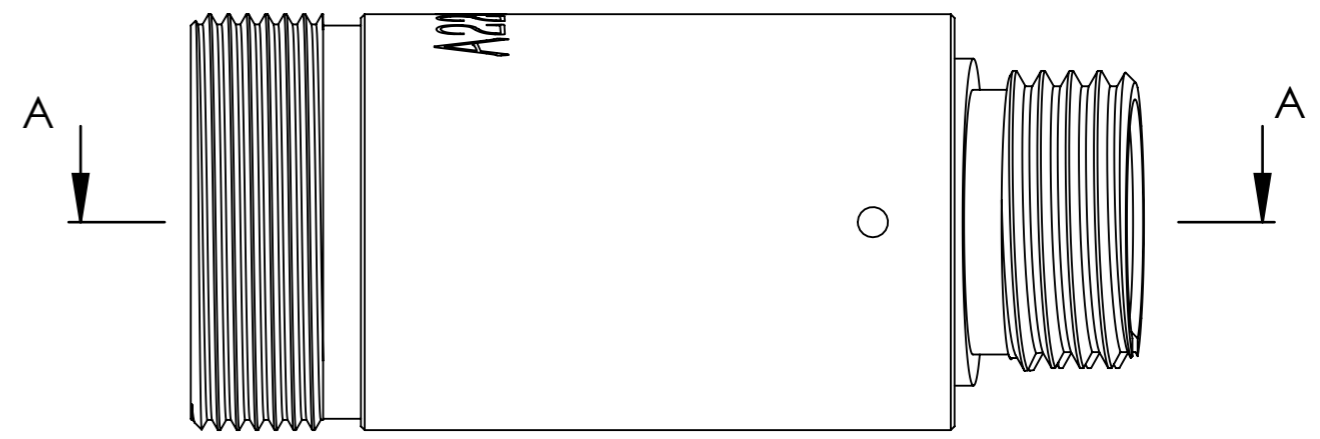
Distributor

 info@amstechnologies.com
 www.amstechnologies-webshop.com
Contact us

ITEM	Material	DESCRIPTION
1	LDA520	D-ZK3M MOLDED ASPHERE
2	3420014	SUS 304L HOUSING
3	3420001	SUS 304L FC/APC CONNECTORS

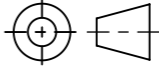


SECTION A-A



PART NUMBER	λ	ALIGNMENT FIBER	L1 (mm)	L2 ± 0.25 (mm)
FDA52010405	405nm	C405	13.33	25.20
FDA52010532	532nm	460HP	13.64	25.51
FDA52010633	633nm	SM600	13.77	25.64
FDA52010780	780nm	780HP	13.89	25.76
FDA52011064	1064nm	HI 1060	14.03	25.90
FDA52011310	1310nm	SMF-28e	14.12	25.99
FDA52011550	1550nm	SMF-28e	14.21	26.08

DO NOT SCALE DRAWING.

DRAWING PROJECTION. 

GHOPTICS
光皓光学

GH Optics (Jiangsu) Co., Ltd.
www.ghoptics.cn

TITLE: Connectorized Collimators with FC/APC

DWG NO. FDA52010532

NAME	DATE
DRAWN	
CHK'D	
APPV'D	

UNIT: mm SIZE: A3 SHEET 1 OF 1 REV. A