

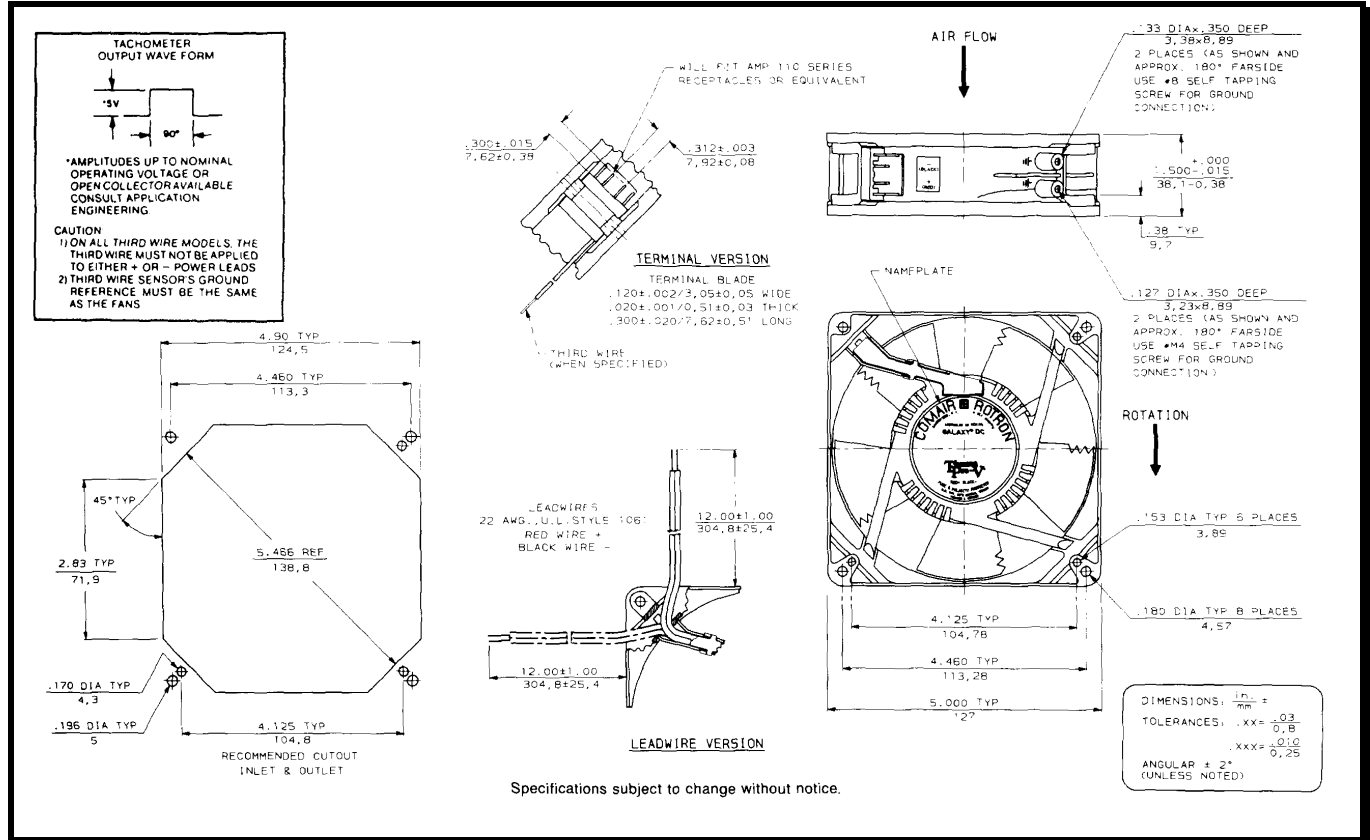
# SPECIFICATIONS



**Model Number:** GL48B4  
**Part Number:** 19031076A

August 5, 2005

## Mechanical Drawing:



### Motor:

Nominal Voltage = 48 vdc  
 Operating Voltage Range = 24 - 56 vdc  
 Nominal Running Current = 0.310 amps  
 Locked Rotor Current = 0.930 amps  
 Running Power = 15.0 watts  
 Average Speed = 3250 rpm  
 Bearings = Ball  
 Air Flow = 150 CFM  
 Acoustic = 53.6 dBA

### Construction:

Venturi: Die Cast Aluminum, Black  
 Propeller: Plastic, Black, UL 94V-0

### Life Expectancy:

This fan is designed for continuous duty life of 82,500 hours at 50°C.

### Additional Features:

Brushless DC Motor  
 Automatic Restart Capability  
 Polarity Protected  
 Locked Rotor Protection  
 Operating Temperature: -10°C to 70°C  
 Storage Temperature: -40°C to 85°C

### Termination:

2 Terminals

### Agency Approvals:

UL, CE