

BeamOn X High Power

NEW

Expanding your profiling capabilities



- Built-in air-cooled sampler
- Industry's most cost-effective device
- Beam measurements down to 60 microns
- Measures accurate position and profile

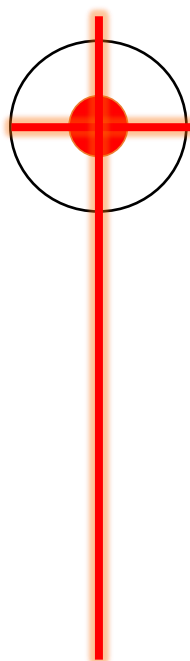
Specifications

Laser Type	CW & Pulsed
Beam width resolution	1 micron or better
Beam Size	ø60 µm - ø5 mm
Spectral Response	350 - 1310 nm
Resolution (H x V pixels)	1280 x 1024 – Global Shutter
Sensor Active Area (mm)	6.78 x 5.4
Gain Control	x4
Dynamic Range	70 dB, 10 bit
Exposure Speed	9 µsec to 1 sec
Frame Rate	Over 50 fps
Working Distance	49 mm (contact factory)
Maximum BPP	Max. input angle – 25 deg.
Maximum power density	1,000,000 W/cm ² (contact factory)
Power measuring	With user's pre-calibration at a selected point

Power Range @900/1070 nm	CW 1-2500 W, Pulsed 1 - 1000 W
Output power from back side of beam sampler	90% of input power. The Beam Sampler directs only a small portion of laser power for detector measurements. Most of the power exits according to drawing.
Cooling conditions	Filtered pressurized air of 6-8 Bar
Sensor type	CMOS - 1/1.8" format
Beam width accuracy	±1.5%
Power accuracy	±5%
Position resolution	1 µm
Pixel Size	5.3 µm x 5.3 µm
Pixel Bit Depth	8/10 bits
Background Subtraction	User activated
Trigger	<ul style="list-style-type: none">• Internal Software• Hardware Falling or Rising Edge• Trigger Delay 0.015ms - 4.0 sec
Power Requirements	~1.5 Watt (Via USB 3.0 interface)
Dimensions (L x W x H) in mm	ø64 mm x 102 mm deep
Weight (typical)	350 gr with cable
Min. Hardware Requirements	CPU i3 1.6 GHz, 4 GB RAM
Interface	USB 3.0, Windows 7/8/10 (32 & 64 bit)
Mechanical Interface	Post mounting: 8-32 UNC, 6 mm depth
Operating Temperature	0° – 35° C

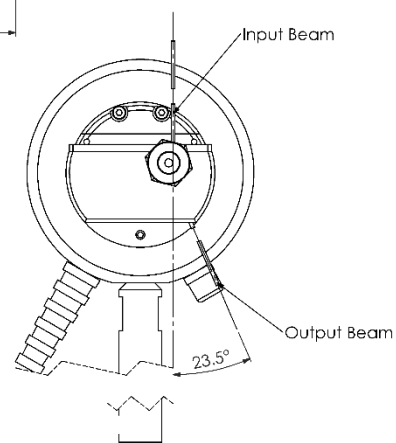
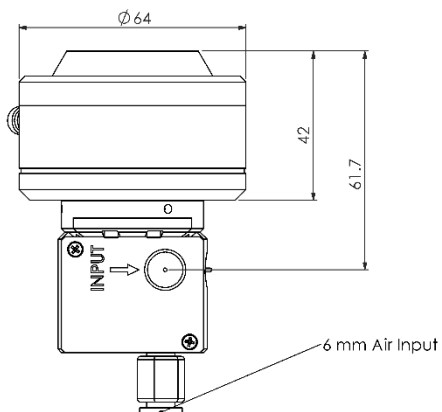
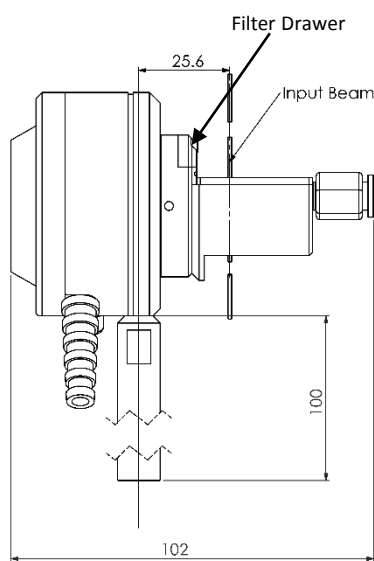
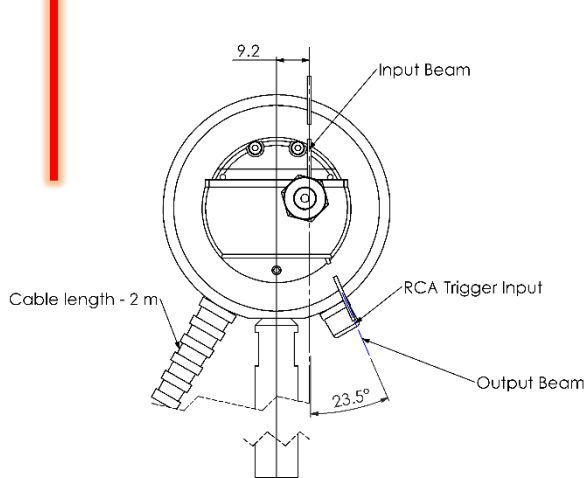
Ordering Information

Model BEAMON-X-HP: Complete system with a built-in beam sampler, pressurized air-cooling, camera, post, software on CD/Flash Drive, carrying case.



BeamOn X High Power

Expanding your profiling capabilities



Dimensions are in mm.