

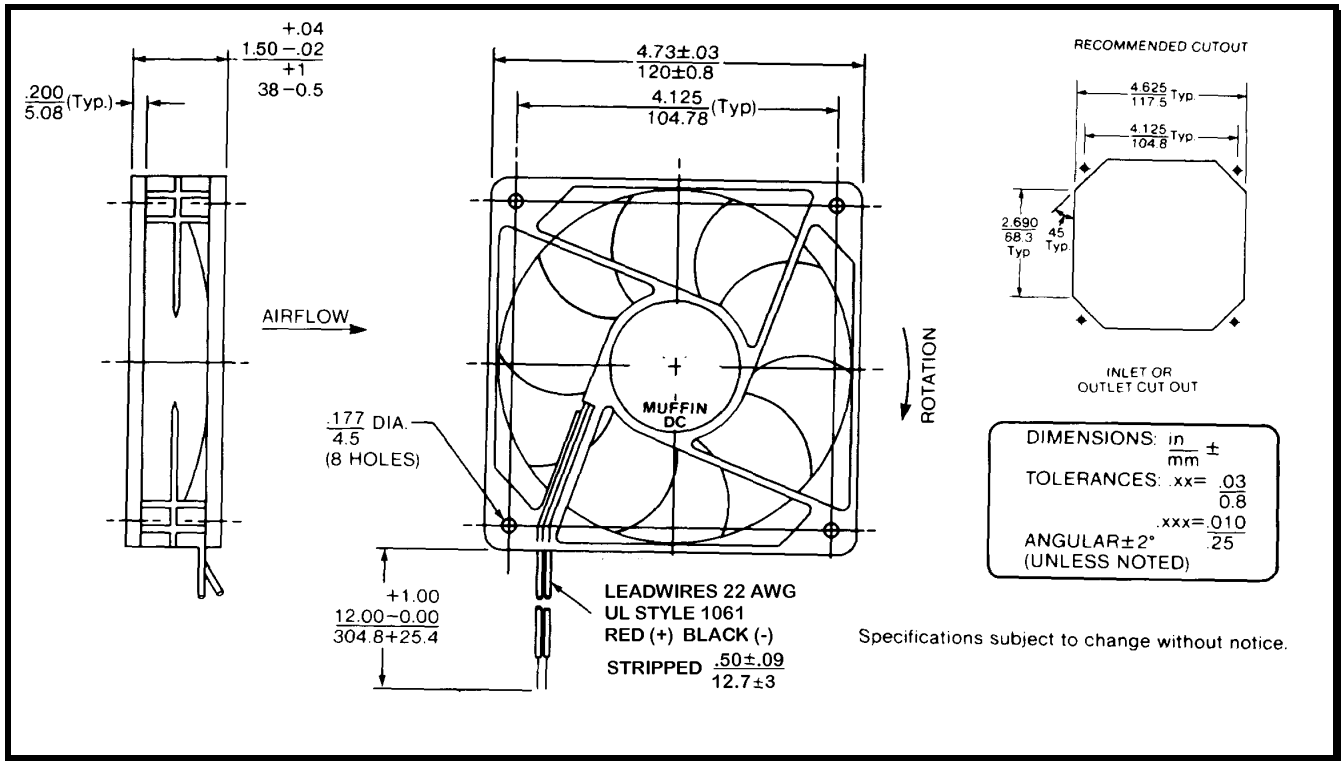
SPECIFICATIONS



Model Number: MS12B3
Part Number: 19032525A
SPEC Number: 26019631A Rev:00

September 3, 2012

Mechanical Drawing:



Motor:

Nominal Voltage	= 12 vdc
Operating Voltage Range	= 6 - 14 vdc
Nominal Running Current	= 0.580 amps
Max. Locked Rotor Current	= 1.45 amps
Running Power	= 7.0 watts
Average Speed	= 2900 RPM
Bearings	= Ball
Air Flow	= 110 CFM
Acoustic	= 49.1 dBA

Construction:

Venturi: Plastic, Black, UL 94V-0
 Propeller: Plastic, Black, UL 94V-0

Life Expectancy:

This fan is designed for continuous duty life of 85,000 hours at 40°C.

Additional Features:

Brushless DC Motor
 Locked Rotor Protection
 Reverse Polarity Protected
 Automatic Restart Capability
 Operating Temp. Range: -10°C to 70°C
 Storage Temp. Range: -40°C to 85°C

Termination:

12" Lead wires, AWG 22, UL 1061
 Red = Power (+)
 Black = Return (-)

Agency Approvals:

UL, CUL