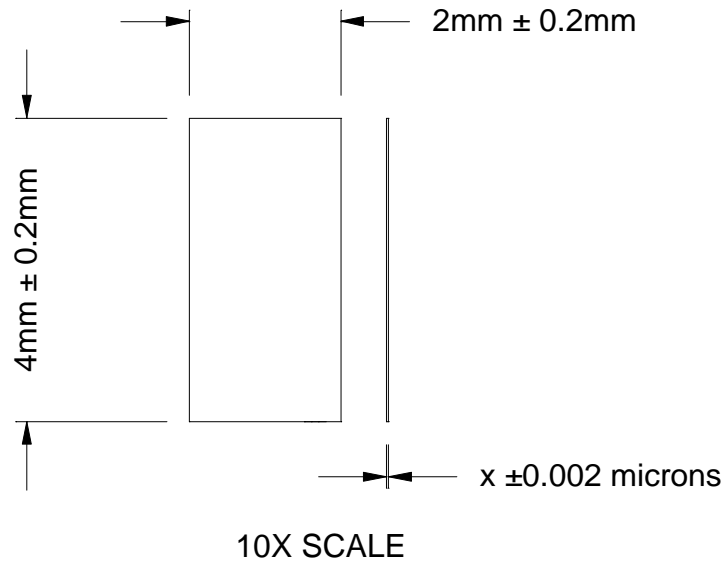


Thin Etalon 2mm x 4 mm

REVISIONS			
REV	REVISED PER	Date	Approved
A	first release	2005 May 6	JHH
B	CN 1258	Nov 20, 2006	JHH

 Actual size

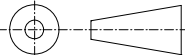


Part Number	Thickness, A
OP-2812-X	X ± 2 microns

Notes:

1. Uncoated
2. Thickness uniformity 60nm or better over 40mm aperture prior to dicing
3. Scratch- dig: 10-5
4. Edge Chips less than 50µm's
5. Pack in Gelpaks

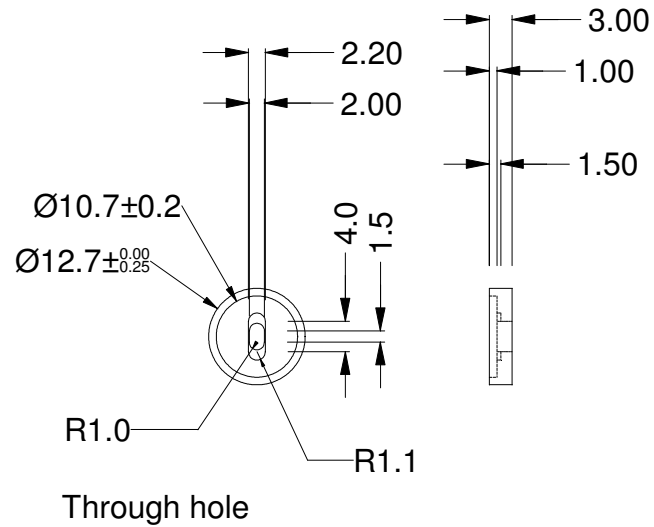
LightMachinery OP-2040-X

dimensions mm	material: Fused Silica
Scale 10:1	
Tolerances (unless otherwise noted) X ±0.5 A ±1° X.X ±0.1 A.A ±0.1° X.XX ±0.025	Third angle projection 
Drawing Template QT-730-002-C	


This design and print is the property of LightMachinery, Inc., and shall not be used as the basis for the manufacture or sale of apparatus without the written permission of LightMachinery, Inc.

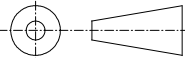
Etalon Mount, 2 x 4mm

REVISIONS			
REV	REVISED PER	Date	Approved
A	first release	2009 December 4	JHH



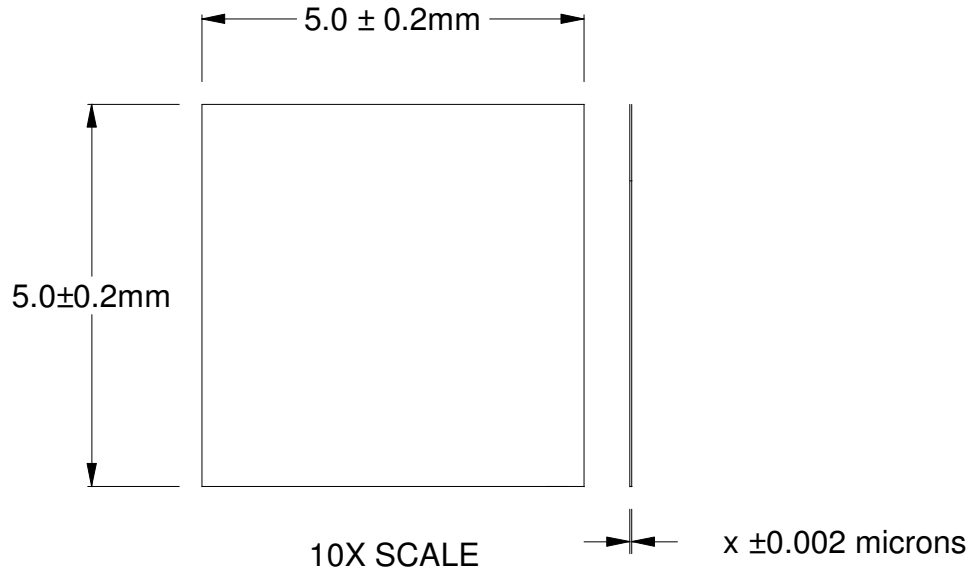
Notes:

- 1.  Typical 2 x 4mm etalon, actual size

LightMachinery OP-4443	
dimensions mm	material: Aluminum
Tolerances (unless otherwise noted) X ±0.5 A ±1° X.X ±0.1 A.A ±0.1° X.XX ±0.025	
Drawing Template QT-730-002-C	Scale 10:1 Third angle projection 
This design and print is the property of LightMachinery, Inc., and shall not be used as the basis for the manufacture or sale of apparatus without the written permission of LightMachinery, Inc.	

Thin Etalon 5mm x 5 mm

 Actual size

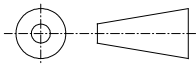


Part Number	Thickness, A
OP-3644-X	X ± 2 microns

REVISIONS			
REV	REVISED PER	Date	Approved
A	first release	2009 October 27	JHH

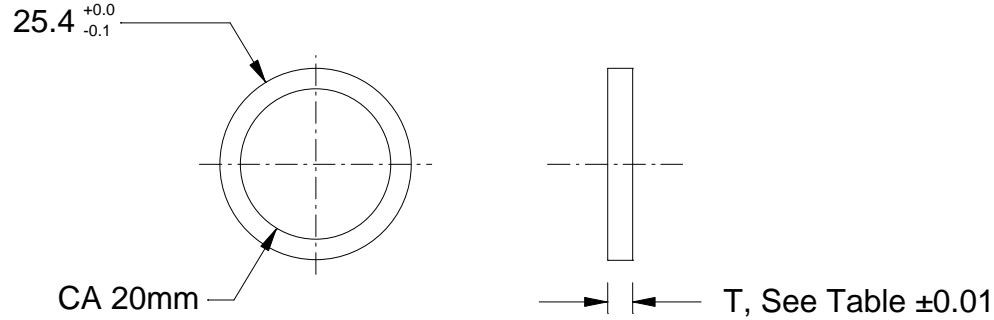
Notes:

1. Uncoated
2. Fluid Jet Polish: thickness uniformity < 30nm over 40mm aperture prior to dicing
3. Scratch- dig: 10-5
4. Edge Chips less than 50µm's
5. Pack in Gelpaks

LightMachinery OP-3644-X	
dimensions mm	material: Fused Silica
Tolerances (unless otherwise noted) X ±0.5 A ±1° X.X ±0.1 A.A ±0.1° X.XX ±0.025 Drawing Template QT-730-002-C	
Scale 10:1	
Third angle projection 	
This design and print is the property of LightMachinery, Inc., and shall not be used as the basis for the manufacture or sale of apparatus without the written permission of LightMachinery, Inc.	

Etalon 450-650 nm, finesse 6

REVISIONS			
REV	REVISED PER	Date	Approved
A	first release	2004 Dec 7	IJM
B	ECN 1192	2006 Mar 21	JHH
C	ECN 1219	2006 July 13	JHH
D	ECN 1253	2006 Aug 30	JHH
E	CN 1259	2006 Aug 30	JHH



Notes:

Etalon for 450-650 nm wavelength.

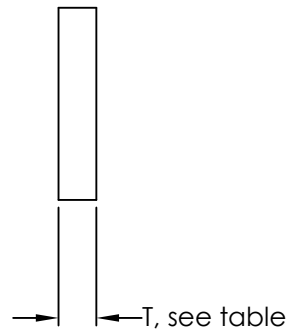
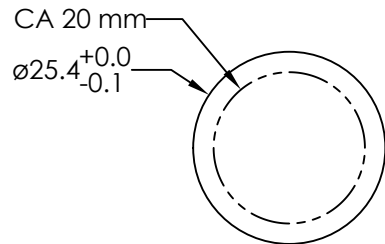
Finesse approximately 6.

Fused silica.

Chamfer edges.

Part Number	FSR	Thickness, T (at 550nm)
OP-1853-1686	2/cm	1.686mm
OP-1853-3371	1/cm	3.371mm
OP-1853-6743	0.5/cm	6.743mm

LightMachinery OP-1853-X	
dimensions mm	material Corning 7980 0A
Tolerances (unless otherwise noted) X ± 0.5 A $\pm 1^\circ$ X.X ± 0.1 A.A $\pm 0.1^\circ$ X.XX ± 0.025 Drawing Template QT-730-002-C	
Scale 1:1 Third angle projection	
This design and print is the property of LightMachinery, Inc., and shall not be used as the basis for the manufacture or sale of apparatus without the written permission of LightMachinery, Inc.	



Notes:

1. Both sides coated $R=94.0\pm 2\%$
2. Finesse > 30
3. Peak Transmission > 50%
4. Chamfer edges < 0.25 mm
5. Thickness uniformity < 1.5 nm RMS
6. 20-10 scratch dig, both sides
7. Measure actual thickness and include with test report

Revisions			
Rev.	Revised per	Date	App'd
A	first release	2014 Aug 18	JJD

Standard values *:

Thickness, T	FSR
1.686 mm	2 /cm
3.371 mm	1 /cm
6.743 mm	0.5 /cm

Thickness and FSR $\pm 1\%$ of target value

L	Wavelength Range (nm)
1	530 - 660
2	700 - 850
3	850 - 1100
4	1450 - 1700

* Other values exist

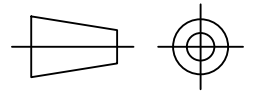
Part number is: OP-7423-T-L

T is thickness in microns

L indicates wavelength range

Etalon, Finesse > 30

LightMachinery OP-7423-X

dimensions mm	material: Fused Silica
Tolerances (unless otherwise noted): Linear: x ± 1 x.x ± 0.1 x.xx ± 0.01	Scale 1:1 Third angle projection 

This design and print is the property of LightMachinery, Inc., and shall not be used as the basis for the manufacture or sale of apparatus without the written permission of LightMachinery, Inc.