

PRV Series - isolated and proportional 1kV to 4kV up to 6 Watts high voltage DC-DC converter



- 6 standard products with proportional control
- Output configuration: single or dual.
- Input voltage: 2.5Vdc to 15Vdc
- Output voltage depending on the version: 0.16 to 1kVdc, 0.33 to 2kVdc and 0.66 to 4kVdc
- Output power: 6W at maximum output voltage
- Reference: see chart for complete reference



General Description

Proportional HV converter ranging from 160V to 4,000 VDC with single or dual polarity.

Miniature and lightweight	Single or Dual Output (center tap). Customizable polarity.	Low noise due to metal shielding and quasi-sinus oscillator.
Upt to 500Vdc isolation (on pin #5 or #6 ot #7)	High efficiency.	Over-voltage and over temperature protection with automatic shutdown.
PCB flat mounting	Logical ON-OFF input	Logical status ouput (thermal and over input voltage protections)

Parameters	Specifications																
Input voltage V_{in} (pins 1 & 3)	<ul style="list-style-type: none"> • 2.5 to 15Vdc (absolute maximum: 30Vdc, see protection section for details) • Reverse: -0.2Vdc max. • Turn on voltage: 2.5Vdc 																
Efficiency	>75% at full load (input current in off state <4mA)																
HV output V_{out} (pin 5, 6 & 7)	The output voltage is proportional to the input voltage																
Polarity	Customizable (see diagram below for details)																
Nominal ouput current & residual ripple	<table border="1"> <thead> <tr> <th>Version</th> <th>Ouput voltage</th> <th>Output current</th> <th>Ripple</th> </tr> </thead> <tbody> <tr> <td>1kV</td> <td>1 kV (2x0.5kV or 1x1kV)</td> <td>6 mA</td> <td>TBC</td> </tr> <tr> <td>2kV</td> <td>2 kV (1x2kV or 2x1kV)</td> <td>3.0 mA</td> <td>TBC</td> </tr> <tr> <td>4kV</td> <td>4 kV (1x4kV or 2x2kV)</td> <td>1.5 mA</td> <td>1%</td> </tr> </tbody> </table>	Version	Ouput voltage	Output current	Ripple	1kV	1 kV (2x0.5kV or 1x1kV)	6 mA	TBC	2kV	2 kV (1x2kV or 2x1kV)	3.0 mA	TBC	4kV	4 kV (1x4kV or 2x2kV)	1.5 mA	1%
	Version	Ouput voltage	Output current	Ripple													
	1kV	1 kV (2x0.5kV or 1x1kV)	6 mA	TBC													
	2kV	2 kV (1x2kV or 2x1kV)	3.0 mA	TBC													
4kV	4 kV (1x4kV or 2x2kV)	1.5 mA	1%														
Load voltage regulation	+40% for full load to no load. (see diagram below)																
Temperature coefficient	<300 ppm/°C																
HV power ON / OFF (pin 4)	Connect Pin 4 to V_{in} Return (pin 1) to activate the module. Compatible with open collector output.																


PRV Series - isolated and proportional 1kV to 4kV up to 6 Watts high voltage DC-DC converter

Parameters	Specifications
Operating temperature	-10°C to +70°C (case)
Storage temperature	-10°C to +70°C
Safeguards and status (pin 2)	<ul style="list-style-type: none"> • Over voltage at the input is detected above 15V and the module automatically turns off • Thermal detection automatically turns off the module above 70°C • Status is a logical 5V output which turns high when over voltage or thermal fault is detected.
Shielding	The metal case is internally grounded to the Vin Return pin 1.




Main Applications
<ul style="list-style-type: none"> • DC to HVDC bias supplies • Capacitor charging • APD/PMT/GM Tubes Power Supplies • Ink-jet printing • Electrostatic detector • Deflection plates • Electron Beam • Focusing optics

Package Configuration	
Case material	Tin steel plate Thickness 0.5 mm
Case dimensions LxHxW	47 x 28 x 12.5 mm
Pins	0.63 x 0.63 mm square pins Length : > 2 mm
Weight	<40 g
Insulation	Fully potted in an epoxy resin. UL certified

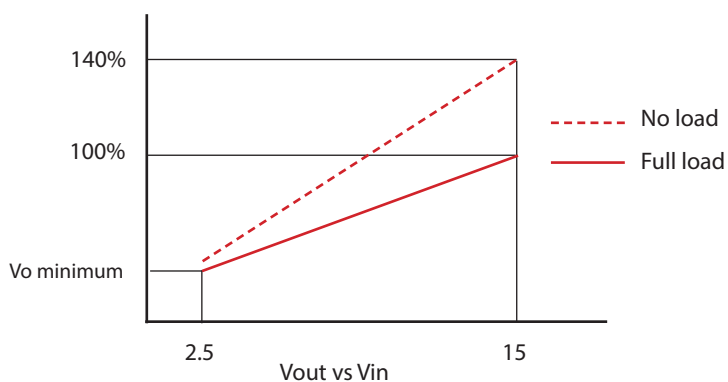
Marking


Model: PRV15-D4-6
 SN: 22151137
 MADE IN FRANCE
 Input: up to 15V $\overline{=}$
 Proportional dual outputs: 2 x 2kV $\overline{=}$

53 rue Bourdignon
 St Maur des Fossés
 33 (0)1 84 23 11 10
<http://www.sdshv.com>

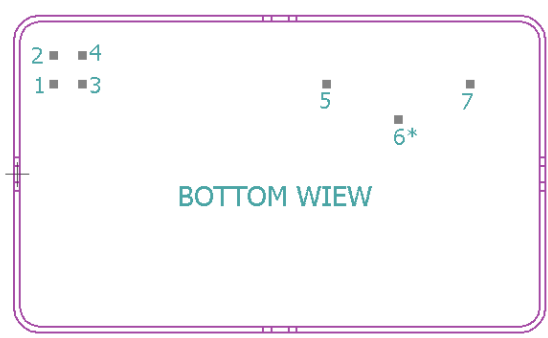
Load voltage regulation (typical)



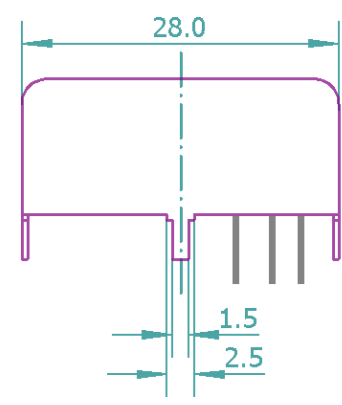
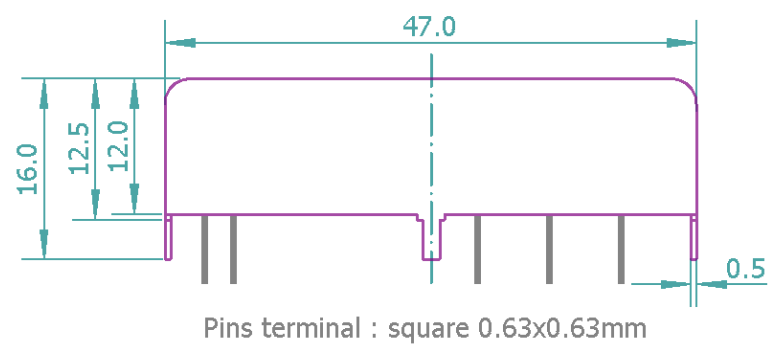
PRV Series - isolated and proportional 1kV to 4kV up to 6 Watts high voltage DC-DC converter

Mechanical dimensions

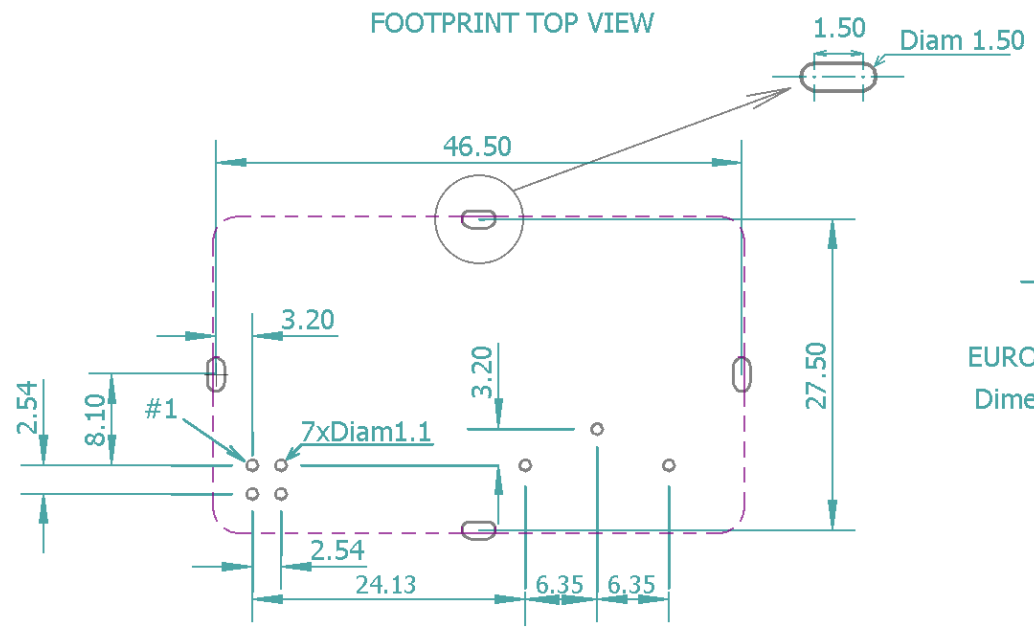
* Pin 6 is optional: only comes with dual output .



Pin #	FUNCTION
1	Vin RETURN
2	STATUS o/p
3	Vin
4	ENABLE i/p
5	HV-
6*	CENTER TAPE
7	HV+



FOOTPRINT TOP VIEW



EUROPEAN PROJECTION
Dimensions are in mm.



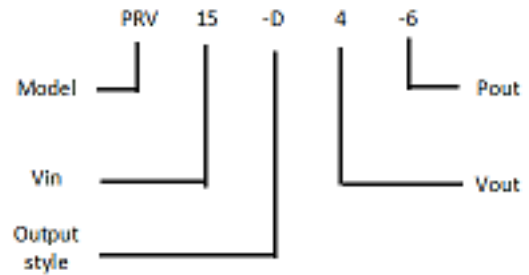
PRV Series - 1K to 4K Datasheet - Preliminary

Up to 6 Watt, PCB mount compact, isolated, proportional, high voltage DC-DC converter

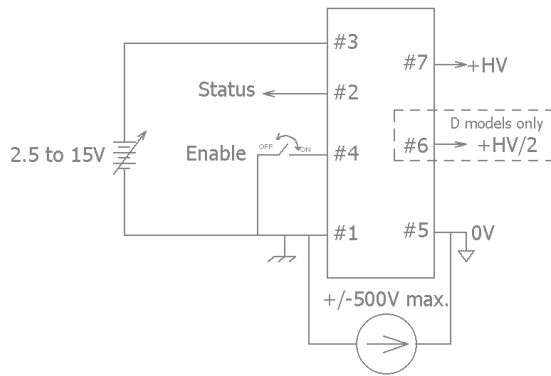
Ordering information

Model	Name of the series	PRV
Input Voltage	Nominal input voltage	15
Output style	Single output	S
	Dual output	D
Output voltage	1kV (1x1kV or 2x0.5kV)	1
	2kV (1x2kV or 2x1kV)	2
	4kV (1x4kV or 2x2kV)	4
Output Power	6 Watts	6

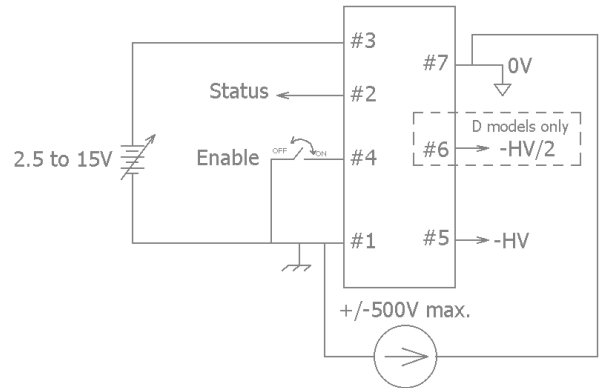
Example PRV



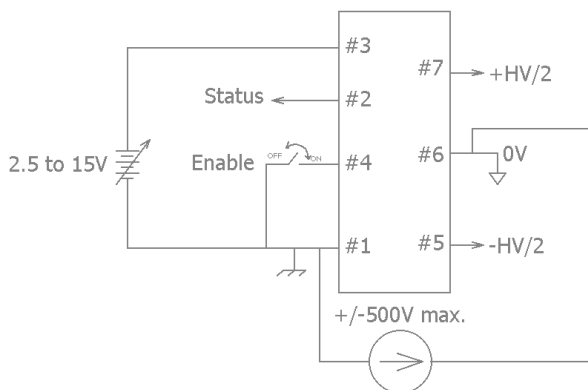
Functional diagram



Positive output



Negative output



Dual polarity output



This High Voltage power supply satisfies the requirements of EC Directives Safety.

Non contractual document.
All specifications are subject to change without notice.

RevA 05/10

