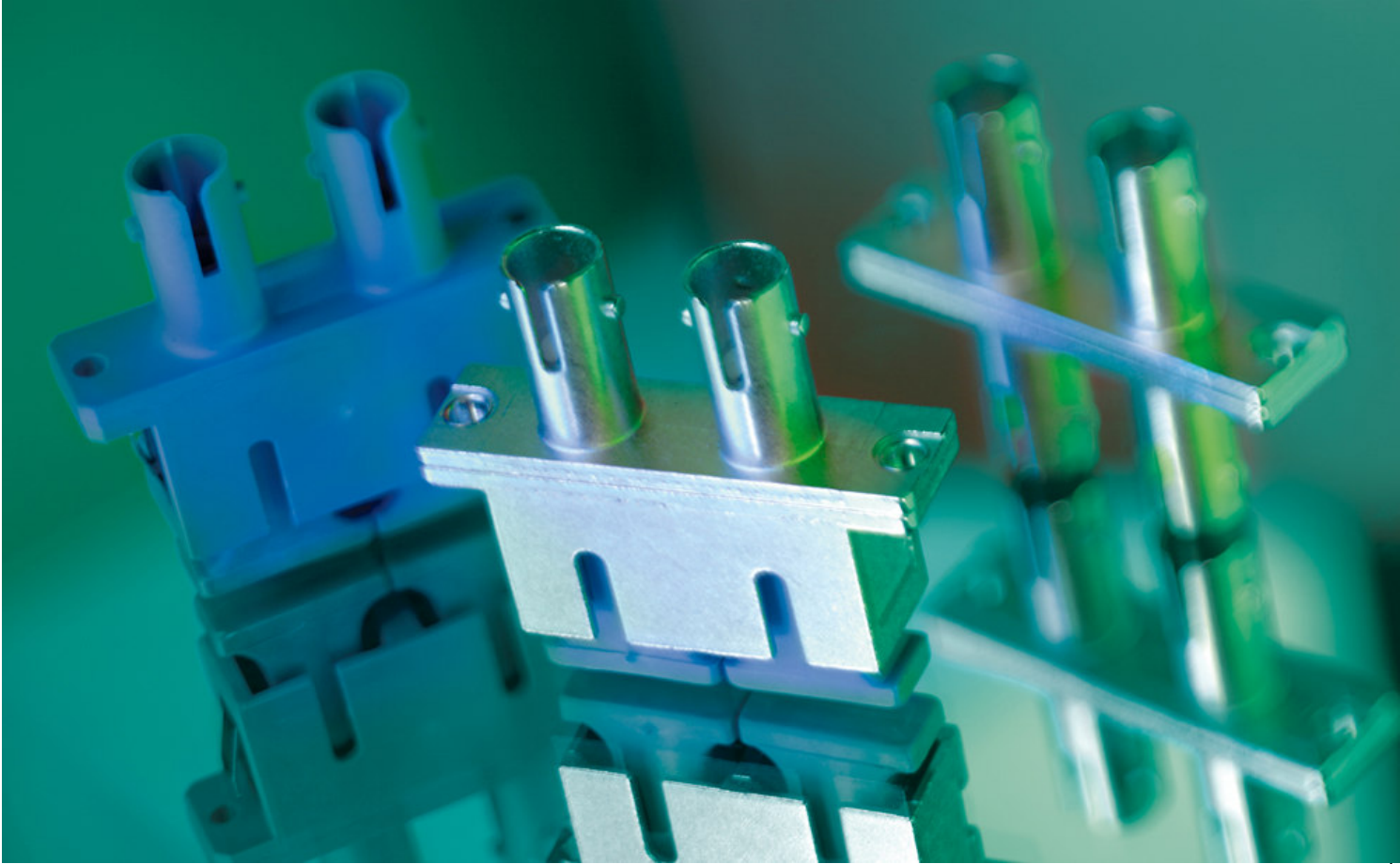
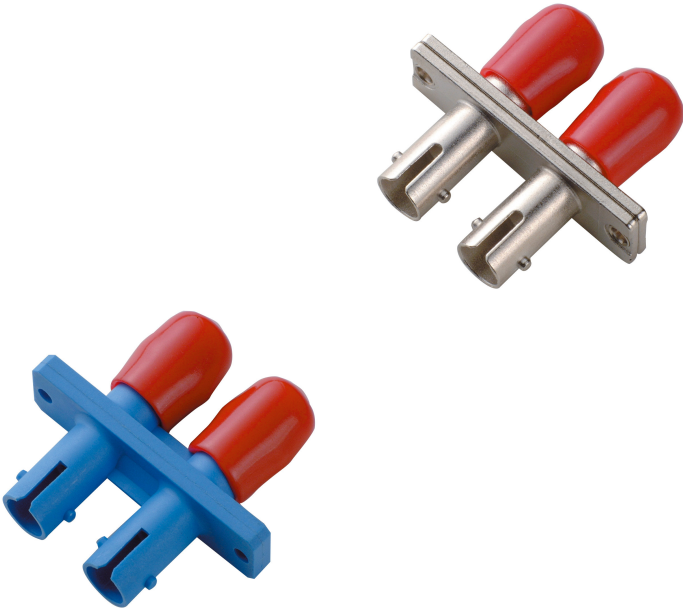


ST Duplex Adapter



TECHNICAL SPECIFICATION



GENERAL

This specification covers the requirement of the ST Duplex adapters for SM and MM applications.

MODELS AVAILABLE

The ST Duplex adapter is available with plastic or metal external housing.

The plastic adapter can be produced in the following standard colours:

- Beige Ral 1013.
- Blue Ral 5015.

The ST Duplex Metal adapters have no logo on the external housing.

The straight alignment sleeves are available as:

- Zirconia (for SM applications): red dust caps.
- High Quality Phosphor Bronze (for SM applications) : red dust caps.
- Standard Phosphor Bronze (for MM applications) : black dust caps.

OPTICAL CHARACTERISTICS

Typical Insertion Loss (dB)

Adapter Type	SM at 1550 nm		MM at 1310 nm
	Zirconia Sleeve	High Quality Phosphor Bronze Sleeve	Standard Phosphor Bronze Sleeve
ST Duplex	0.08	0.12	0.10

M E C H A N I C A L C H A R A C T E R I S T I C S

- Tensile strength of welding (Plastic Adapter Only) > 100 N
- Insertion loss variation during withdraw force test < 0.20 dB
- Insertion loss variation after 500 connections < 0.10 dB

M A T E R I A L S

Component	Material
External housing plastic	PBT
External housing metal	Nickel Plated Zinc Alloy
Dust cap	Vinyl
Sleeve	Zirconia or Phosphor Bronze

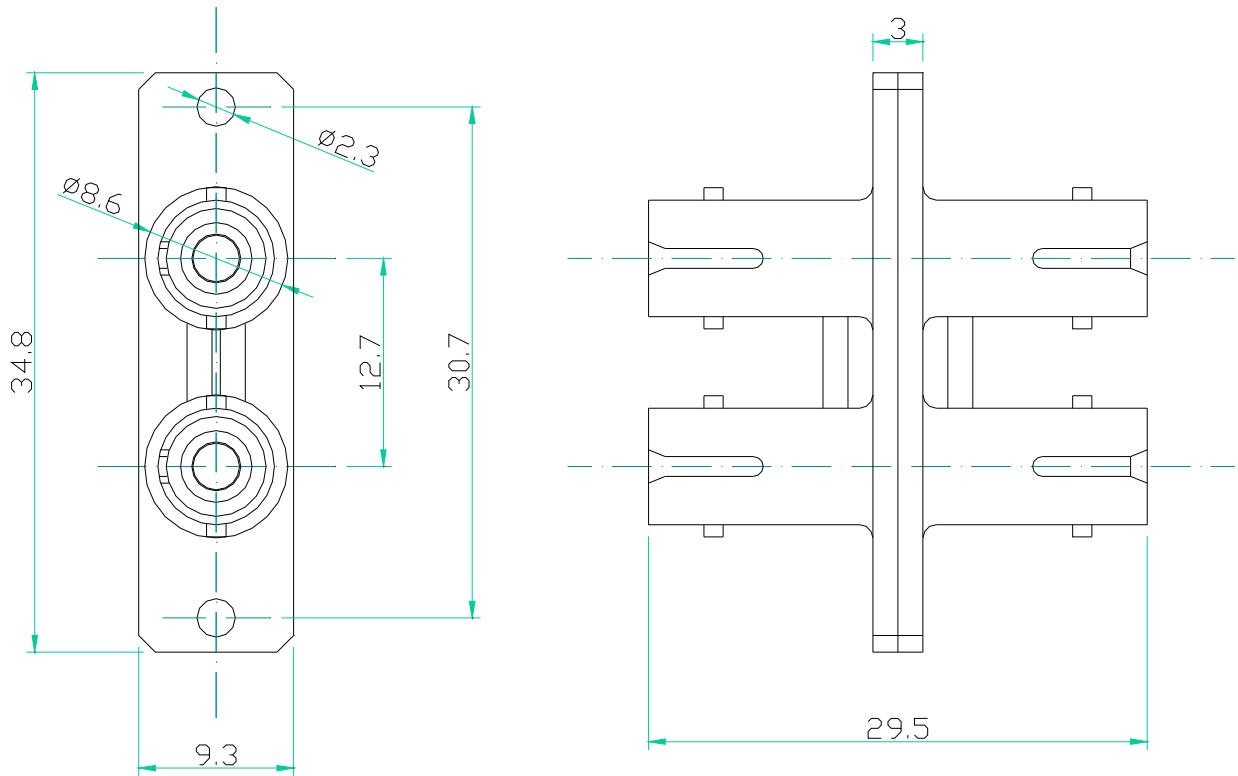
E N V I R O N M E N T A L S P E C I F I C A T I O N S

	min	max
Operating Temperature (°C)	-25	+70
Storage Temperature (°C)	-40	+85

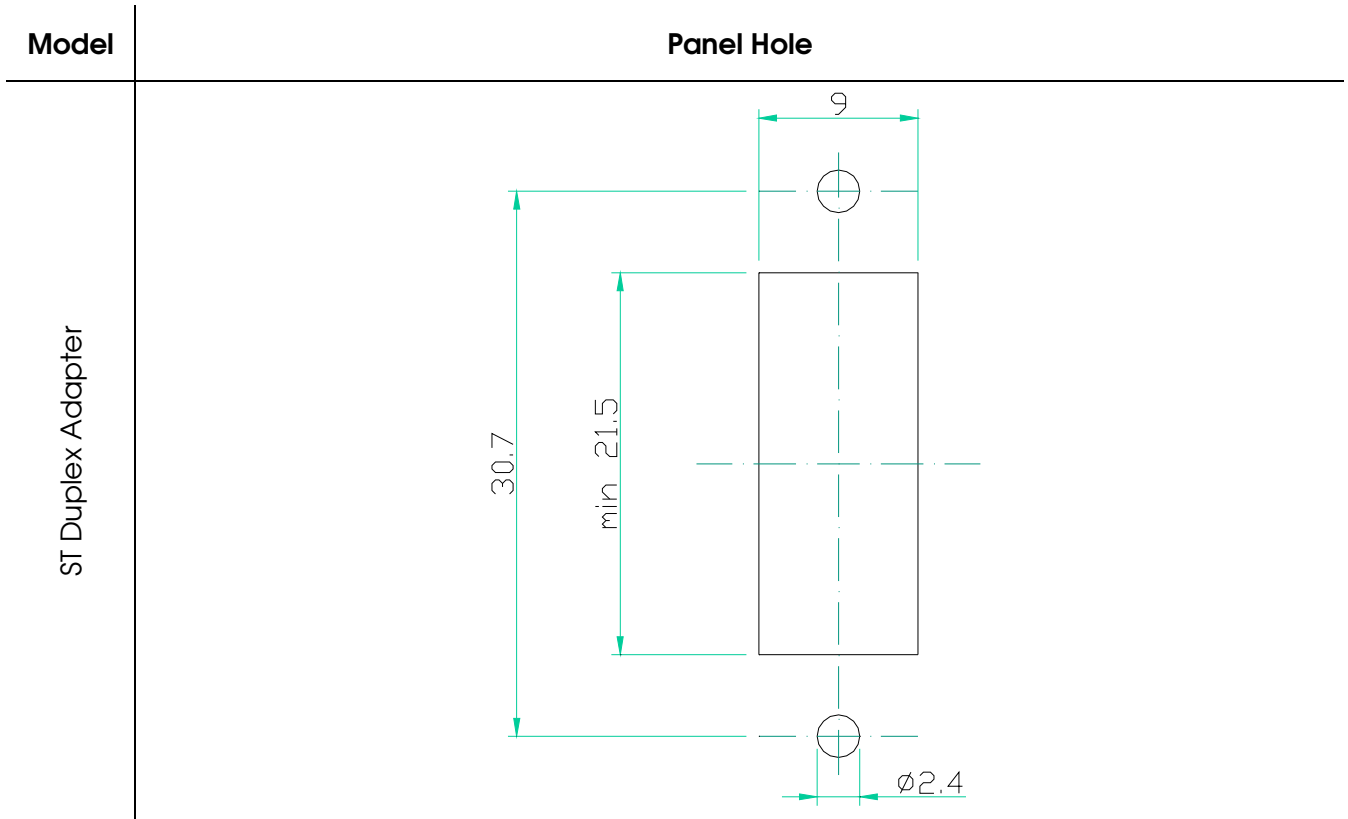
Each adapter is packed as standard in units of 25 pieces, in plastic blisters without logo or any other company markings. Single packaging solutions or different numerations are available on request.

T E C H N I C A L D R A W I N G S

ST Duplex Plastic Adapter



RECOMMENDED PANEL DIMENSIONS



END OF SPECIFICATION