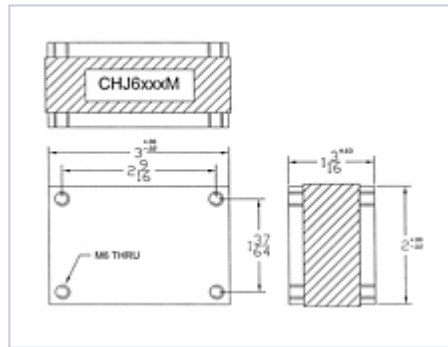


CHJ Series Metallized Film Capacitors

- Up to 700 V_{RMS} Working Voltage
- Up to 210 kVA Max Power
- Up to 600 A_{RMS} Max Current
- Conduction Cooled
- Series & Parallel Stackable
- One Year Warranty



1

Part Number	CAP	V _{MAX} (RMS)	f _L	S _{MAX}	f _H	I _{MAX} (RMS)	f _{MAX}
<u>CHJ6018M</u>	0.18 μF	700 V	379 kHz	210 kV·A	591 kHz	375 A	600 kHz
<u>CHJ6024M</u>	0.24 μF	700 V	284 kHz	210 kV·A	444 kHz	375 A	600 kHz
<u>CHJ6033M</u>	0.33 μF	700 V	207 kHz	210 kV·A	323 kHz	375 A	600 kHz
<u>CHJ6066M</u>	0.66 μF	600 V	141 kHz	210 kV·A	259 kHz	475 A	500 kHz
<u>CHJ6120M</u>	1.2 μF	500 V	111 kHz	210 kV·A	174 kHz	525 A	300 kHz
<u>CHJ6240M</u>	2.4 μF	400 V	83 kHz	200 kV·A	91 kHz	525 A	300 kHz
<u>CHJ6500M</u>	5.0 μF	300 V	64 kHz	180 kV·A	64 kHz	600 A	300 kHz
<u>CHJ CUSTOM</u>	0.01 to 0.33 μF	N/A	N/A	N/A	N/A	N/A	N/A

1