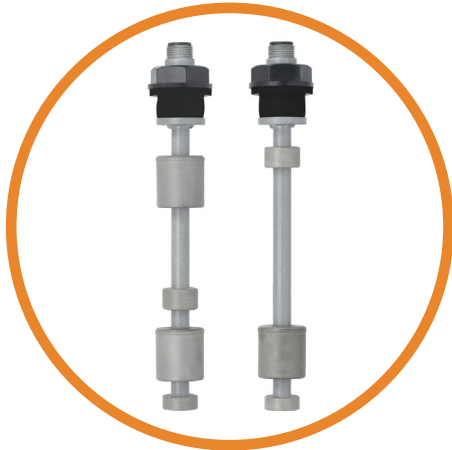


RSF166P SERIES

EXTERNAL MOUNT, DUAL SWITCH POINT SERIES WITH 4-PIN M12 CONNECTION



The RSF166P float switch series is designed to offer a number of switching options to meet a variety of system requirements.

These are manufactured in PPS (Polyphenylene Sulphide), which is compatible with a wide range of liquids, and are mounted externally via a 22mm hole and nitrile compression seal.

The single float types are generally used in systems with PLC control of processes.

The dual float versions can be used for controlling the filling or emptying of tanks via electromechanical relays.

Features

- External Mount via compression seal
- High & Low level switching
- PPS material
- Versions for Filling or Emptying Control
- M12 4-pin connection for quick connection to circuit
- UL and WRAS Approved

TECHNICAL SPECIFICATIONS

(Common to both Single and Double Float versions)

Mechanical

Material	PPS
Colour	Grey
Temp. Range	°C -10/+85
	°F +14/+185
Minimum Liquid SG	0.85

Electrical

Switching Power VA Max	25
Switching Voltage AC Max	240
Switching Voltage DC Max	120
Switching Current Max A	0.6

All electrical ratings are for resistive loads only.

STANDARD PARTS

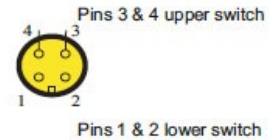
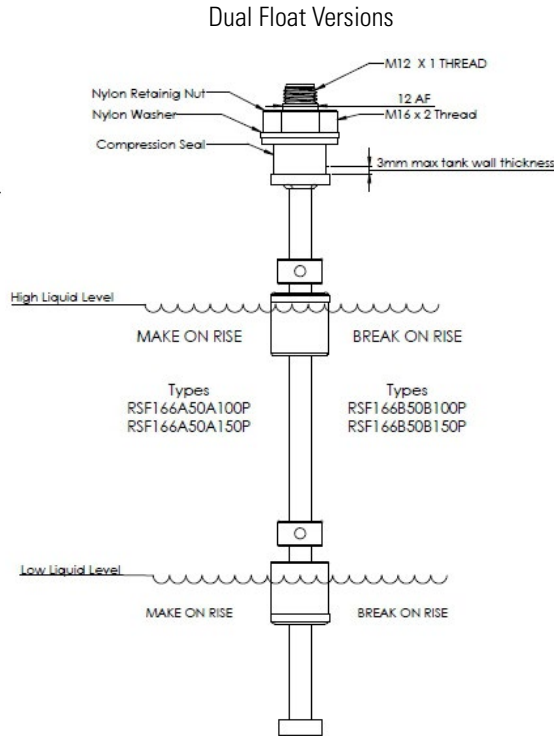
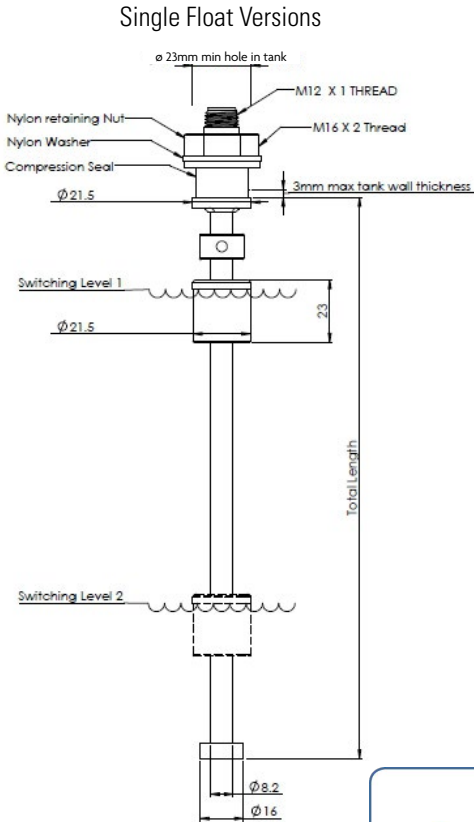
Single Float Versions	Upper Switch level	Lower Switch level	Total Length
RSF166A25B75P	30mm	75mm	102mm
RSF166A25B100P	30mm	100mm	127mm
RSF166A25B125P	30mm	125mm	152mm
RSF166A25B150P	30mm	150mm	177mm
RSF166A25B175P	30mm	175mm	202mm

Dual Float Versions		Upper Switch level	Lower Switch level	Total Length
RSF166A50A100P	Emptying Control	50mm	100mm	134mm
RSF166A50A150P	Emptying Control	50mm	150mm	184mm
RSF166B50B100P	Filling Control	50mm	100mm	127mm
RSF166B50B150P	Filling Control	50mm	150mm	177mm

Custom versions can be made for particular applications. Please contact Sensata with your requirements.

DIMENSIONS

All dimensions are in millimeters.



Distributor



amstechnologies
where technologies meet solutions

info@amstechnologies.com
www.amstechnologies-webshop.com

Contact us 

Sensata Technologies, Inc. ("Sensata") data sheets are solely intended to assist designers ("Buyers") who are developing systems that incorporate Sensata products (also referred to herein as "components"). Buyer understands and agrees that Buyer remains responsible for using its independent analysis, evaluation and judgment in designing Buyer's systems and products. Sensata data sheets have been created using standard laboratory conditions and engineering practices. Sensata has not conducted any testing other than that specifically described in the published documentation for a particular data sheet. Sensata may make corrections, enhancements, improvements and other changes to its data sheets or components without notice.

Buyers are authorized to use Sensata data sheets with the Sensata component(s) identified in each particular data sheet. HOWEVER, NO OTHER LICENSE, EXPRESS OR IMPLIED, BY ESTOPPEL OR OTHERWISE TO ANY OTHER SENSATA INTELLECTUAL PROPERTY RIGHT, AND NO LICENSE TO ANY THIRD PARTY TECHNOLOGY OR INTELLECTUAL PROPERTY RIGHT, IS GRANTED HEREIN. SENSATA DATA SHEETS ARE PROVIDED "AS IS". SENSATA MAKES NO WARRANTIES OR REPRESENTATIONS WITH REGARD TO THE DATA SHEETS OR USE OF THE DATA SHEETS, EXPRESS, IMPLIED OR STATUTORY, INCLUDING ACCURACY OR COMPLETENESS. SENSATA DISCLAIMS ANY WARRANTY OF TITLE AND ANY IMPLIED WARRANTIES OF MERCHANTABILITY, FITNESS FOR A PARTICULAR PURPOSE, QUIET ENJOYMENT, QUIET POSSESSION, AND NON-INFRINGEMENT OF ANY THIRD PARTY INTELLECTUAL PROPERTY RIGHTS WITH REGARD TO SENSATA DATA SHEETS OR USE THEREOF.

All products are sold subject to Sensata's terms and conditions of sale supplied at www.sensata.com SENSATA ASSUMES NO LIABILITY FOR APPLICATIONS ASSISTANCE OR THE DESIGN OF BUYERS' PRODUCTS. BUYER ACKNOWLEDGES AND AGREES THAT IT IS SOLELY RESPONSIBLE FOR COMPLIANCE WITH ALL LEGAL, REGULATORY AND SAFETY-RELATED REQUIREMENTS CONCERNING ITS PRODUCTS, AND ANY USE OF SENSATA COMPONENTS IN ITS APPLICATIONS, NOTWITHSTANDING ANY APPLICATIONS-RELATED INFORMATION OR SUPPORT THAT MAY BE PROVIDED BY SENSATA.

Mailing Address: Sensata Technologies, Inc., 529 Pleasant Street, Attleboro, MA 02703, USA.