

Platforms / Tables



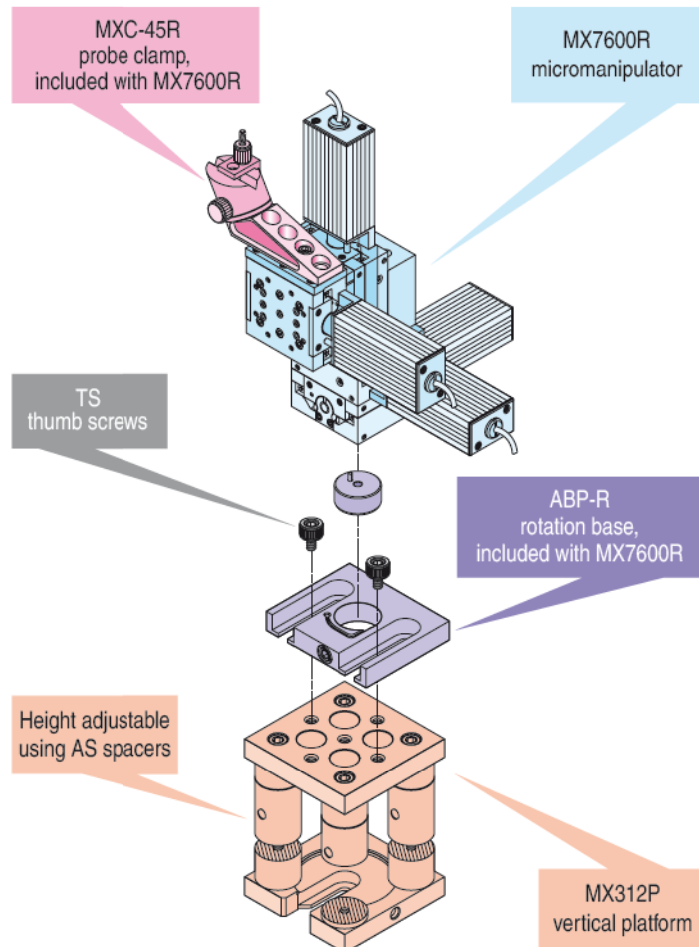
Introduction to Siskiyou Platforms

The platforms and support spacers in this section facilitate multidimensional experimentation. Their solid aluminum construction ensures rock solid stability around any experiment.

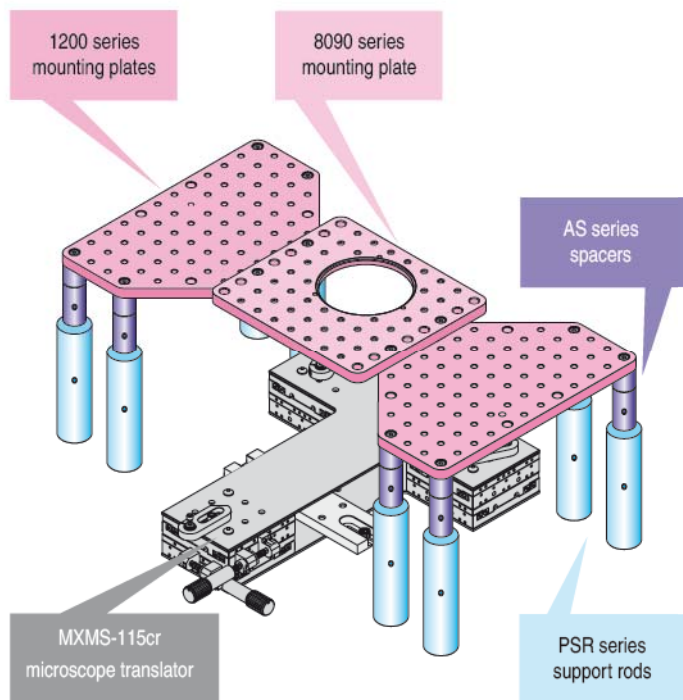
Our wide variety of platforms are designed with flexibility in mind. These platforms have 1/4-20 tapped holes for limitless attachment for any application, such as a fixed-stage platform for electrophysiology or a single vertical plane platform for optical mounting. The standard hole pattern facilitates the movement of devices between a platform and an isolation table top and is more economical than a custom plate.

A cast aluminum plate for the base material of our platforms ensures stability even when a large portion of the surface has been machined away. High speed CNC machining centers enable us to produce high quality platforms with a maximum of mounting holes at competitive prices. If magnetic attachment is required, small magnetic strips are available, found on page 117, that are cost-effective alternatives to manufacturing a solid steel platform that would typically cost four times as much as an aluminum platform.

Platforms provide vertical and angular solid surfaces for mounting micromanipulator stages.



Application



This application drawing shows our platform and spacer systems along with our microscope translator (microscope not shown). This is one way to construct a fixed-stage system for patch recording experiments. The photo on the preceding page also shows this type of setup, and the two combined show the flexibility of our equipment.

The PSR series support rods and AS aluminum spacers are ideal for vertical or horizontal mounting of platforms as well as single devices. AS series spacers are available in sizes from 0.125- to 2.0-inches long. 1.5- and 2.0-inch versions can be attached end to end to achieve spacing of multiple lengths. Smaller sizes have a 1/4-20 clearance hole and are designed to be mounted directly under the platform and attached to the next spacer with the final 1/4-20 attachment screw. Our PSR support rods are machined from solid aluminum bar stock and are designed to be the base structure for our variety of platforms.

For custom configurations, variations in finish, or if you need help selecting the best platform configuration for your application, do not hesitate to contact us at 1-877-313-6418, or email tech@siskiyou.com.



Platforms / Tables

Vertical and Angular

Vertical	
3" square	96
5" square	97
Angular	
3" square	98
5" square	99
Unlimited Angle	100
0°-45°	101

Plates and Tables

Mounting Plates	
Large	102
Modular Tiles	106
Tables	
Breadboards	108
Laboratory Tables	109

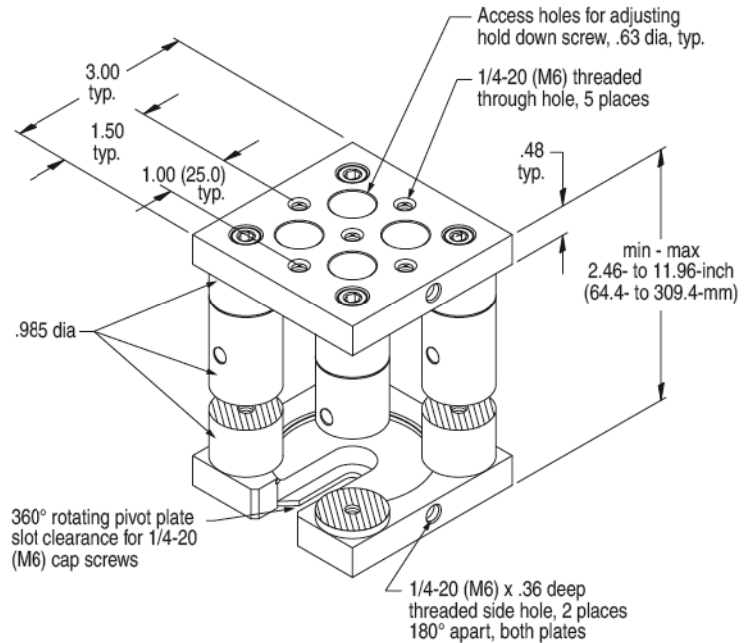
Rods and Spacers

Aluminum	
4" to 10" Rods	110
1/8" to 6" Spacers	110
6" to 12" Rods	112
Post Clamp	112

Vertical

3.0 x 3.0 / MX312P

Note that dimensions in parentheses (mm) reflect metric assembly features



MX312P

Vertical Platform

The MX312P is a versatile platform for mounting a variety of hardware at any level on an isolation table or platform. A complete set of AS series spacers allows flexible vertical adjustment from 2.5- to 12.0-inches in 0.5-inch increments. Metric configurations adjust from 65- to 310- mm using a combination of spacers. This facilitates placing the platform height at the center of the depth of focus for research microscopes. To adjust the height of the platform, AS-1.5 and AS-2.0 series spacers are screwed together using 1/4-20 set screws. The top and the base plates are attached to the four columns with 1/4-20 cap screws through the counterbored holes. Smaller height adjustments are made by adding AS-.5 and AS-1.0 spacers to the top of the longer AS spacers. These are secured by the final attachment of the top plate with long 1/4-20 screws that go through the top plate and short spacers.

The MX312P base plate is equipped with a unique hold down pivot that allows secure single-bolt mounting anywhere on the mounting surface. The top mounting surface is 3.0-inch x 3.0-inch and has five 1/4-20 tapped holes for maximum mounting flexibility. The top plate is also drilled and tapped with 1/4-20 holes on two sides. These attachment points are designed to accept our MX-APC-T and MX-APT-T top plates. These adapter plates allow the experimenter to remove and replace equipment accurately and easily by loosening two flathead screws. A new assembly configuration allows simpler and faster change-out of spacers.

Product Features

- 2.5- to 12-inch vertical adjustability
- Solid aluminum construction
- Flexible mounting design
- Vacuum compatible versions available upon request

Related Products

MX-APC-T base plate	127
MX-APT-T base plate	127

Order Information

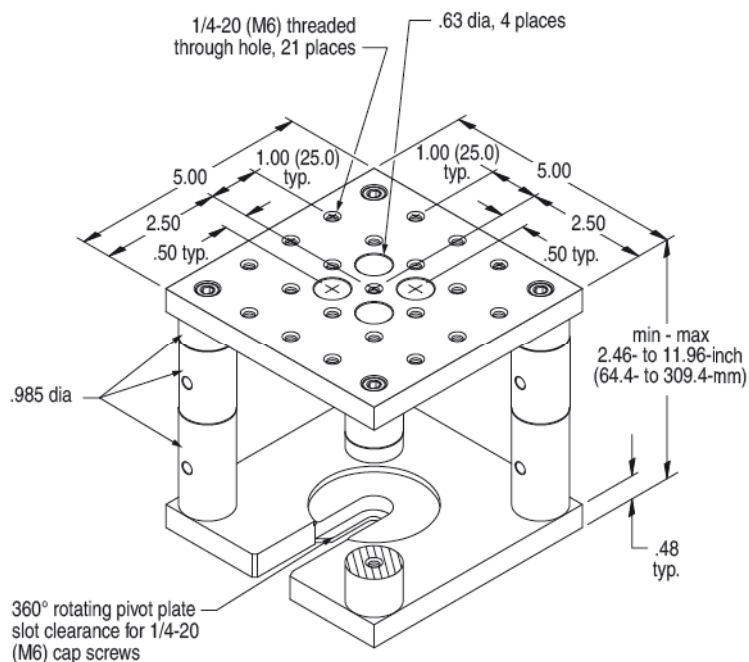
coarse vertical adjustment platform, 3.0"x3.0"	MX312P
MX312P top plate	MX312P-T
MX312P base plate	MX312P-B

Metric Option — for metric assembly features on this product, add '-M' after model number.

Vertical

5.0 x 5.0 / MX512P

Note that dimensions in parentheses (mm) reflect metric assembly features



MX512P

Vertical Platform

The MX512P is a versatile platform for mounting a variety of hardware at any level on an isolation table or platform. AS series spacers and hardware allow flexible vertical adjustment from 2.5- to 12.0-inches in 0.5-inch increments. To adjust the height of the platform AS-1.5 and AS-2.0 series spacers are screwed together using 1/4-20 set screws. The top and the base plates are attached to the four columns with 1/4-20 cap screws through the counterbored holes. Smaller height adjustments are made by adding AS-.5 and AS-1.0 spacers to the top of the longer AS spacers. These are secured by the final attachment of the top plate with long 1/4-20 screws that go through the top plate and short spacers.

The MX512P base plate is equipped with a unique hold down pivot that allows secure single-bolt mounting anywhere on the mounting surface — you're not confined to the mounting hole grid pattern on many isolation table tops. The top mounting surface is 5.0-inch x 5.0-inch and has twenty-one 1/4-20 tapped holes for maximum mounting flexibility. The top plate can be used as a stand-alone platform for mounting MX310 micromanipulators next to microscopes. This robust platform can hold many small devices or larger ones up to 300 pounds.

Product Features

- 2.5- to 12.0-inch vertical adjustability
- Solid aluminum construction
- Flexible mounting design
- Vacuum compatible versions available upon request

Related Products

MX310 micromanipulator	160
MX5T angular platform	99

Order Information

coarse vertical adjustment platform, 5.0"x5.0"	MX512P
MX512P top plate	MX512P-T
MX512P base plate	MX512P-B

Metric Option — for metric assembly features on this product, add '-M' after model number.

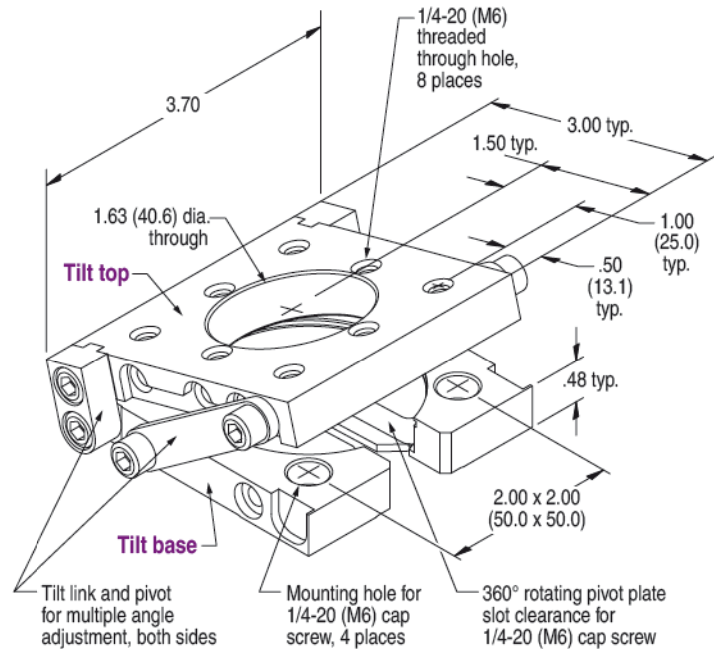
Angular

3.0 x 3.0 / MX3T

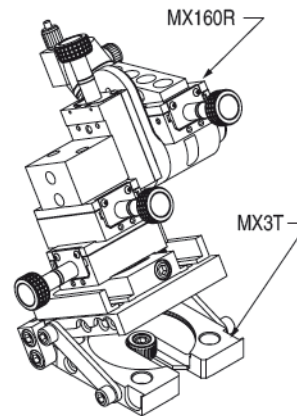
Note that dimensions in parentheses (mm) reflect metric assembly features



MX3T



Application



Product Features

- 5 preset angles
- Solid aluminum construction
- Flexible mounting design
- Vacuum compatible versions available upon request

Performance Specifications

Maximum load	50 lbs
Angular adjustment	0°, 15°, 30°, 45°, 90°

Related Products

MX110 micromanipulator	156
MX160 micromanipulator	157
MX1640 micromanipulator	159
MX6600 micromanipulator	164
MX7630 micromanipulator	168
MX7600 micromanipulator	169

Order Information

coarse angular tilt platform, 3.0"x3.0" MX3T

Metric Option — for metric assembly features on this product, add '-M' after model number.

Angular Platform

The MX3T's adjustable wedge design facilitates fixed angle setups. The 3.0-inch x 3.0-inch platform's top plate is fixed in place by two adjustable linking arms. They are secured by four 1/4-20 hex screws to ensure rock solid stability.

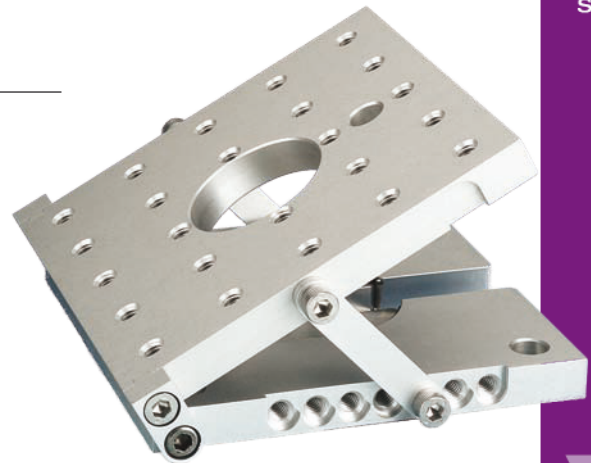
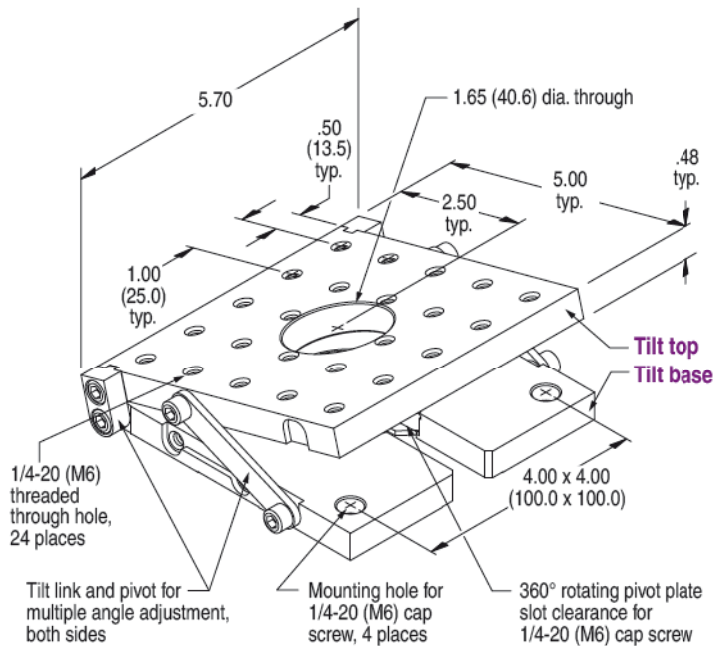
The angle is changed by loosening two 1/4-20 cap screws and removing two more. Move the adjustment legs to the desired position, replace the two cap screws, then lock down all four. The platform is locked in place and will not move or wobble. The MX3T base plate is equipped with a unique hold down pivot that allows secure single-bolt mounting anywhere on an experimental table.

Platforms / Tables

Angular

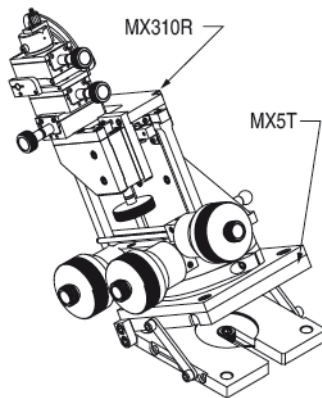
5.0 x 5.0 / MX5T

Note that dimensions in parentheses (mm) reflect metric assembly features



MX5T

Application



Angular Platform

The MX5T's adjustable wedge design facilitates fixed angle setups. The 5.0-inch x 5.0-inch platform's top plate is fixed in place by two adjustable linking arms. They are secured by four 1/4-20 hex screws to ensure rock solid stability.

The angle is changed by loosening two 1/4-20 cap screws and removing two more. Move the adjustment legs to the desired position, replace the two cap screws, then lock down all four. The platform is locked in place and will not move or wobble. The MX5T base plate is equipped with a unique hold down pivot that allows secure single-bolt mounting anywhere on an experimental table.

Product Features

- 5 preset angles
- Solid aluminum construction
- Flexible mounting design
- Vacuum compatible versions available upon request

Performance Specifications

Maximum load	50 lbs
Angular adjustment	0°, 15°, 30°, 45°, 90°

Related Products

MX512P platform	97
MX310 micromanipulator	160

Order Information

coarse angular tilt platform, 5.0"x5.0" MX5T

Metric Option — for metric assembly features on this product, add '-M' after model number.

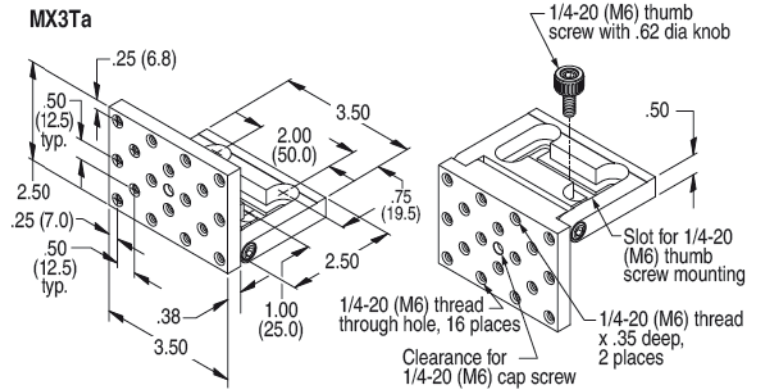
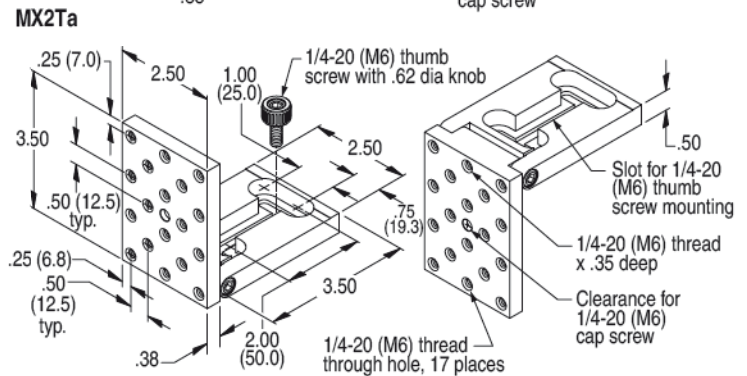
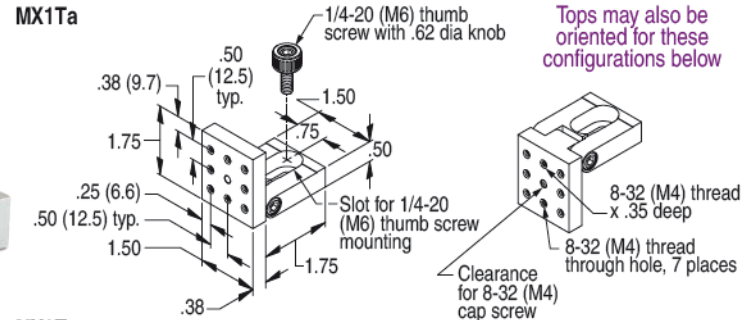
Angular

Unlimited Angle / MX1Ta, MX2Ta, MX3Ta

Note that dimensions in parentheses (mm) reflect metric assembly features



MX-Ta Series



Product Features

- Unlimited angular adjustment
- Solid aluminum construction
- Flexible mounting design
- Vacuum compatible versions available upon request

Performance Specifications

Maximum load	5 lbs
Angular adjustment	Unlimited

Related Products

MX10 micromanipulator	154
MX10-H micromanipulator	162
MX160 micromanipulator	157
MX1600 micromanipulator	159

Order Information

1.5-inch x 1.75-inch, 8 tapped 8-32 holes	MX1Ta
2.5-inch x 3.5-inch, 18 tapped 1/4-20 holes	MX2Ta
3.5-inch x 2.5-inch, 18 tapped 1/4-20 holes	MX3Ta

Metric Option — for metric assembly features on this product, add '-M' after model number.

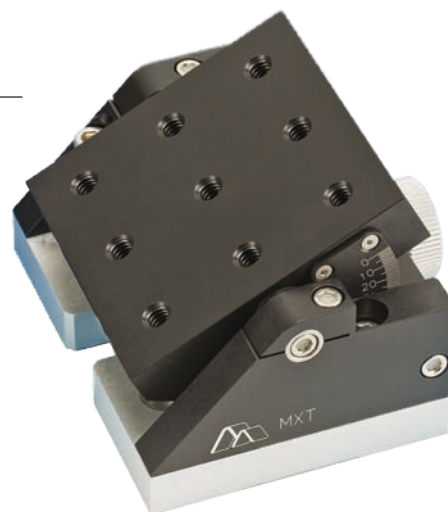
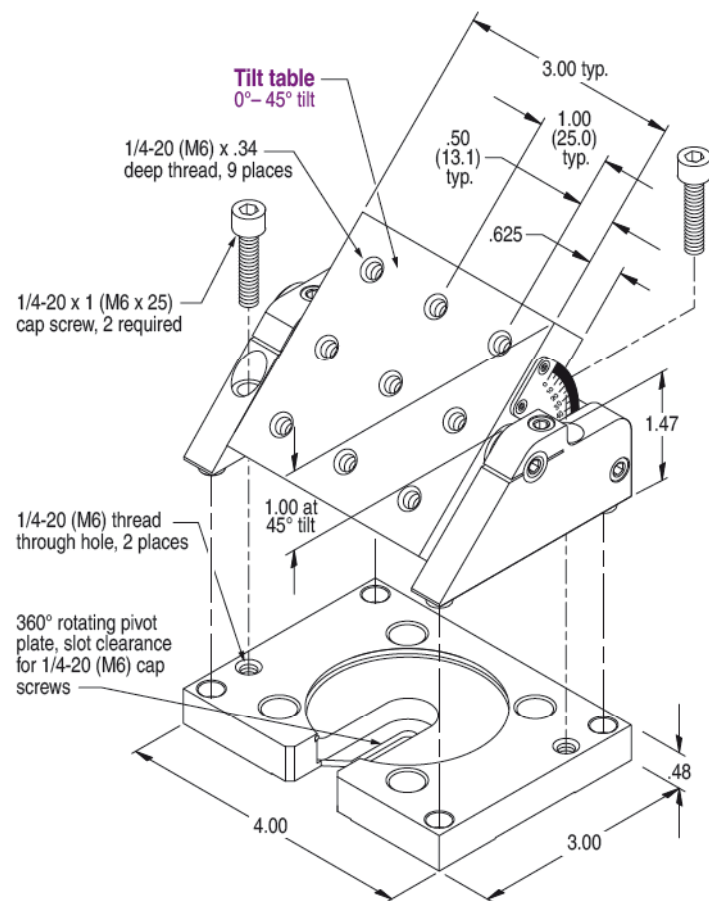
Angle Platforms

These adjustable angle platforms are easy to use and come in three convenient sizes. They are attached to the table top or bread board with a single 1/4-20 cap screw through a recessed slot for maximum positioning flexibility. Angular locking is done with a single cap screw that can be removed and relocated 180° to the opposite side to accommodate adjustment in limited space locations. These adjustable angle platforms are shipped in a "positive" vertical configuration (as shown in the photo), but they can also be reassembled to be used in a "negative" vertical configuration by removing the locking screw and rotating the mounting platform.

Angular

Infinitely Adjustable / MXT

Note that dimensions in parentheses (mm) reflect metric assembly features



MXT

MXT Angle Platform

The MXT is a small and stable tilt platform that works well where the angle of attack needs to be adjusted. The angle is adjusted by turning the knob in the back of the stage. The angle of the platform surface can be read on the scale that is mounted on the side of the stage opposite the locking screw. The stage is spring-loaded to minimize backlash. The non-influencing foil lock is activated by a laser marked knob on the side of the stage.

The top of the tilt stage is tapped 1/4-20 in nine places. The hole pattern is matched to accept Siskiyou's translation stages, rotation stages and micromanipulators.

The MXT base plate is equipped with a unique hold-down pivot that allows secure single-bolt mounting anywhere on the table.

The MXT's base can be removed from its tilt stage and conveniently positioned in your experiment. By setting the tilt stage back on the base, the location can be confirmed. After the stage is in the desired position, remove the tilt stage, lock down the base, replace the tilt stage, and lock it in place with the two 1/4-20 cap screws.

Product Features

- Infinitely adjustable from plane parallel through 45°
- Positive non-influencing lock
- 2° incremental scale
- Vacuum compatible versions available upon request

Performance Specifications

Angular range	0° – 45°
Minimum angular motion	30 arc sec.

Related Products

MX160 micromanipulator	157
MX1600 series micromanipulators	159
RSX-1.0 rotary stage	72

Order Information

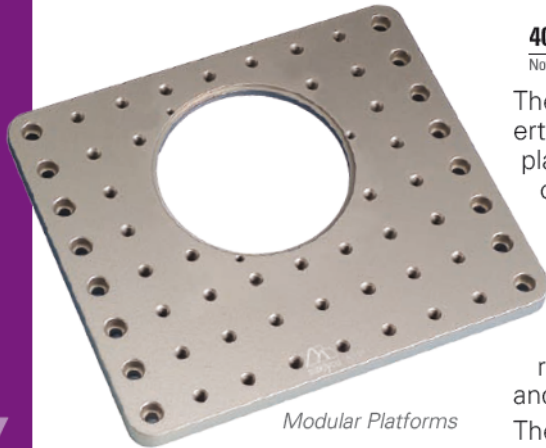
adjustable tilt platform	MXT
--------------------------	-----

Metric Option — for metric assembly features on this product, add '-M' after model number.

Large Mounting Plates

4080 and 8090 Series

Note that dimensions in parentheses (mm) reflect metric assembly features



Modular Platforms

Product Features

- Stable cast aluminum plate
- Center relieved for custom machining
- Pre-drilled / threaded 1/4-20 mounting surface
- Vacuum compatible versions available

Related Products

AS-1A spacers	110
PSR support rods	110
MS-4.0 magnetic strip	117
MS-6.0 magnetic strip	117
perfusion chambers	192

Order Information

platform plates	
4 x 8 inch	4080P
8 x 9 inch, blank	8090Pb
8 x 9 inch, aperture type	8090P
adapters / holders, perfusion chamber	
10.8cm dia	PC-A
11cm dia	PC-A11
holder	PC-S

Metric Option — for metric assembly features on this product, add '-M' after model number.

The 4080 and 8090 series of mounting platforms offer a variety of apertured platforms in standard and customer modified versions. These platforms may be used as stand-alone platforms directly on the surface of a table top or to add attachment points to an isolation table without tapped holes. They are also useful for building bridge systems around microscopes and can be supported with our PSR series support posts or AS series spacers. They have 1/4-20 clearance holes conveniently located near the edge of the plate to facilitate mounting to our PSR and AS series. Vertical or three dimensional configurations can be designed with the use of our BB series building blocks and AB-U universal angle bracket.

The material used in these platforms is cast aluminum. This material has more thermal stability than standard aluminum plate, and because of the manufacturing process it has no inherent stress. By using this material we supply you with a more stable product. If you decide to do some custom machining on the plates, you can be assured that they will not flex out of flatness like standard plate materials.

4080Ps may be used with PSR support rods to create a mounting platform along side of an experiment. They are designed to be the center platform in a fixed-stage setup. The 4080P has been relieved in the center to simplify custom machining for the experimenter's applications. The PSR platform support rods' 1.5-inch diameter makes them an ideal foundation for these platforms.

The 8090 series platforms are designed to be the sample platform under a microscope or as an apertured platform for passing a laser beam through. They come in two models: blank and with aperture. The 8090Pb has a solid surface with 1/4-20 mounting holes and a non-tapped section in the middle. This blank section is useful for custom machining either by us or by the end user. The 8090P has an industry standard 10.8 cm chamber aperture for mounting our PC-A perfusion chamber adapter or other microscope chamber systems.

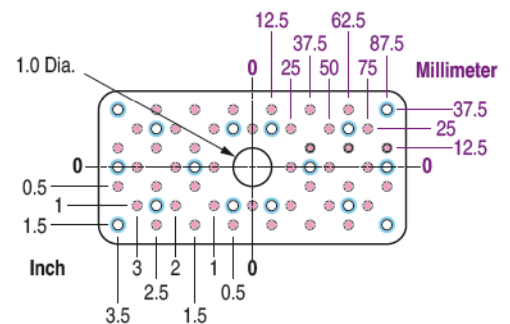
Perfusion Chamber Adapters

The PC-A chamber adapter allows the user to mount our PC-V & PC-H chambers into our 8090P platform. They are made of non-corrosive aluminum. The 10.8-cm diameter model is compatible with Olympus microscope stages and allows 360° rotation of the chamber. Alternatively, they also are available in a 11-cm diameter size. See page 192 for perfusion chamber details.

For custom configurations or if you need help selecting the best platform configuration for your application, do not hesitate to contact us at 1-877-313-6418.

4 x 8 x 0.5 Inch Plate / 4080P

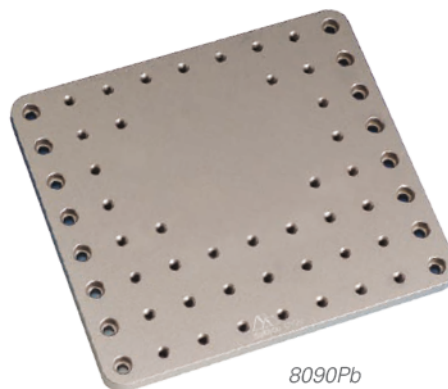
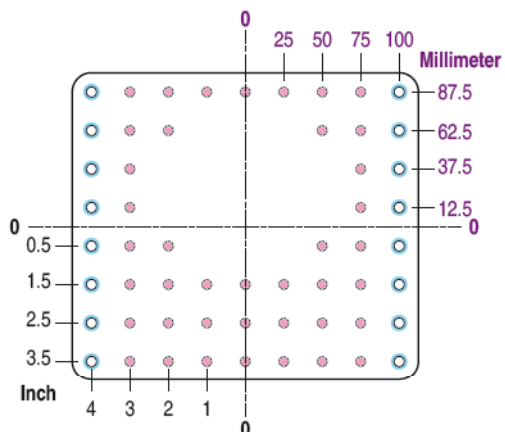
■ Inch ■ Millimeter Pattern... Mounting Holes: 16 each 1/4-20 (M6) Clearance ● / 44 each 1/4-20 (M6), Through ●
 Plate is mirror-symmetric along vertical and horizontal center lines... for clarity single quadrant dimensions are shown.



Large Mounting Plates

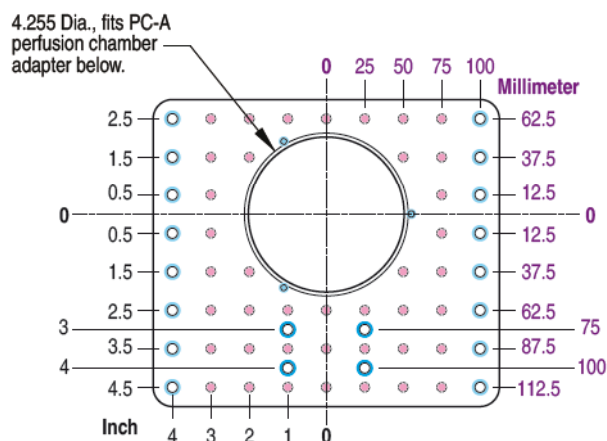
8 x 9 x 0.5 Inch Plate / 8090Pb

■ Inch ■ Millimeter Pattern... Mounting Holes: 16 each 1/4-20 (M6) Clearance ○ / 40 each 1/4-20 (M6) Through ●
 Plate is mirror-symmetric along vertical and horizontal center lines... for clarity only single quadrant dimensions are shown.



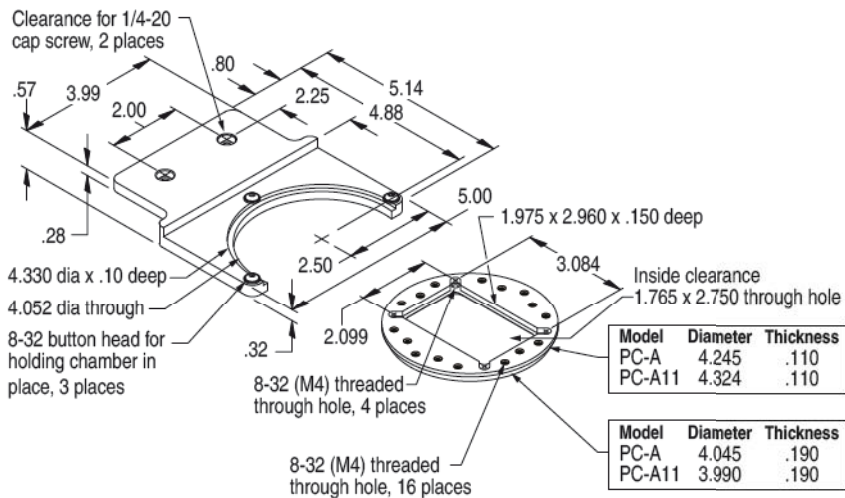
8 x 9 x 0.5 Inch Plate / 8090P

■ Inch ■ Millimeter Pattern... Mounting Holes: 20 each 1/4-20 (M6) Clearance ○ / 40 each 1/4-20 (M6), Through ● / 3 each 8-32 (M4), Through ●
 Plate is mirror-symmetric along vertical center line... for clarity only half-plate dimensions are shown.

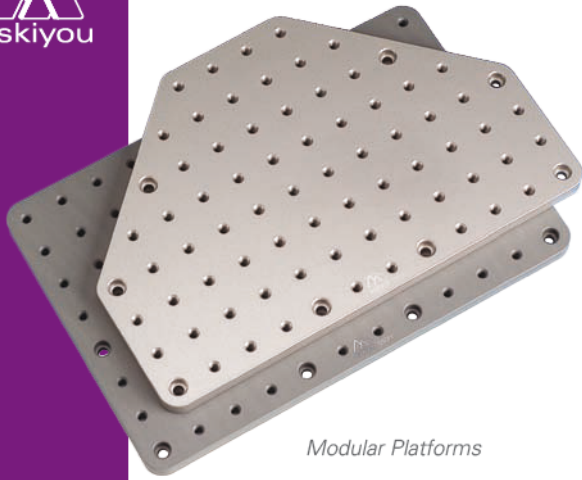


10.8 / 11cm Perfusion Chamber Adapters PC-A, PC-A11 and Holder PC-S

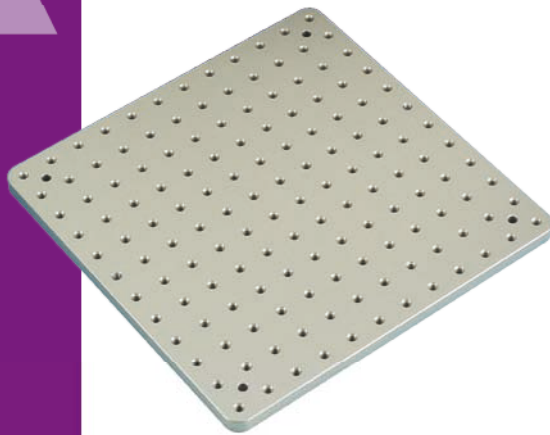
Note that dimensions in parentheses (mm) reflect metric assembly features.



Large Mounting Plates



Modular Platforms



12000 Series

Product Features

- Stable cast aluminum plate
- Pre-drilled / threaded 1/4-20 mounting surface
- Vacuum compatible versions available

Related Products

AS-1A spacers	110
PSR support rods	110
MS-4.0 magnetic strip	117
MS-6.0 magnetic strip	117

Order Information

8 x 12 inch, beveled rectangular	1280P
8 x 12 inch, rectangular	1280Pr
12 x 12 inch, square	12120
12 x 24 inch, rectangular	12240
18 x 18 inch, square	18180
18 x 30 inch, rectangular	18300
24 x 24 inch, square	24240
24 x 30 inch, rectangular	24300
30 x 30 inch, square	30300

Metric Option — for metric assembly features on this product, add '-M' after model number.

Our 1200 and 12000 series platforms are designed for maximum flexibility and machinability. With nine sizes to choose from, these solid aluminum platforms are an affordable option for added mounting surface.

These platforms may be used as stand-alone platforms directly on the surface of a table top or to add attachment points to an isolation table without tapped holes. They are also useful for building bridge systems around microscopes and can be supported with our PSR series support posts or AS series spacers. The 1200 series have 1/4-20 clearance holes conveniently located near the edge of the plate to facilitate mounting to our PSR and AS series. Vertical or three dimensional configurations can be designed with the use of our BB series building blocks and AB-U universal angle bracket.

The material used in these platforms is cast aluminum. This material has greater thermal stability than standard aluminum plate and, because of the manufacturing process, has no inherent stress. By using this material we supply you with a more stable product. If you decide to do some custom machining on the plates, you can be assured that they will not flex out of flatness like standard plate materials.

12, 18, 24 and 30 x 0.5 Inch Square and Rectangular Plates

■ Inch ■ Millimeter Pattern... Mounting Holes: 16 each 1/4-20 (M6) Clearance ◯ (12120 plate only) / See table for 1/4-20 (M6), Threaded hole quantities. Plate is mirror-symmetric along vertical and horizontal center lines... for clarity single quadrant dimensions are shown

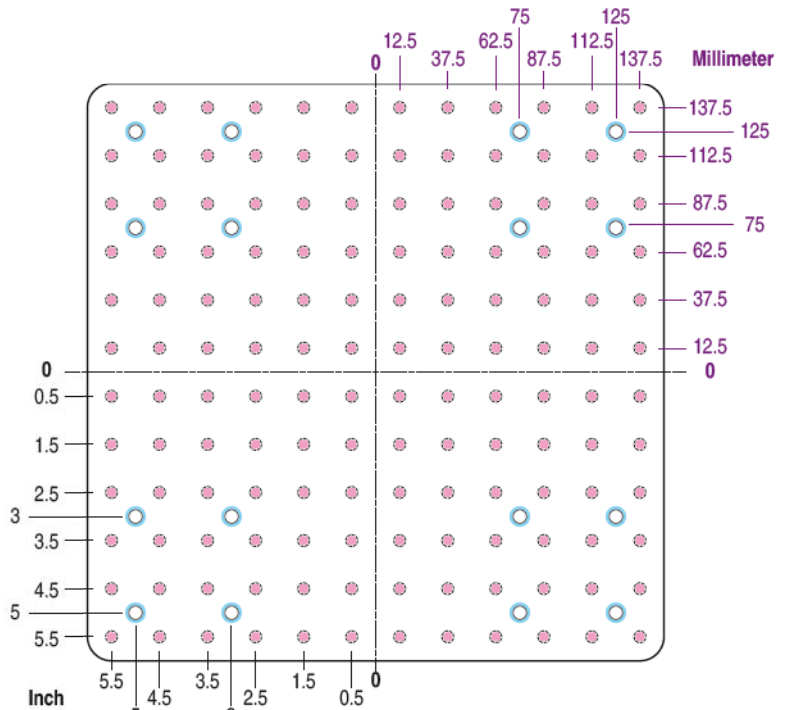


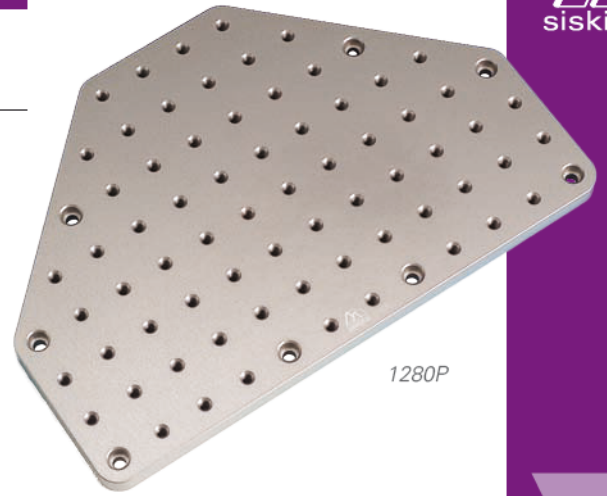
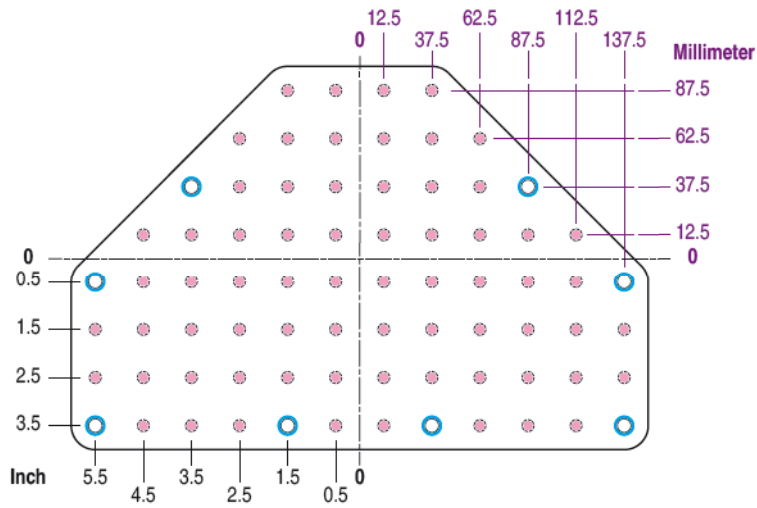
Plate Size	Holes ¹	Plate Size	Holes ¹
12 x 12 ²	144	24 x 24	576
12 x 24	288	24 x 30	720
18 x 18	324	30 x 30	900
18 x 30	540		

1. Number of threaded holes 2. 12 x 12 Plate, 'Only plate with clearance holes'

Large Mounting Plates

8 x 12 x 0.5 Inch Plate / 1280P

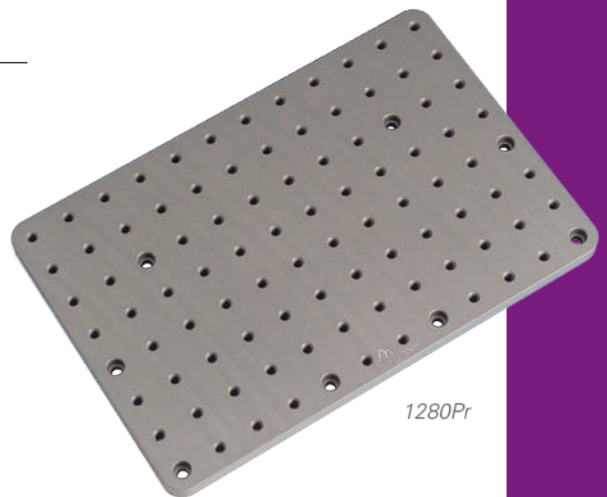
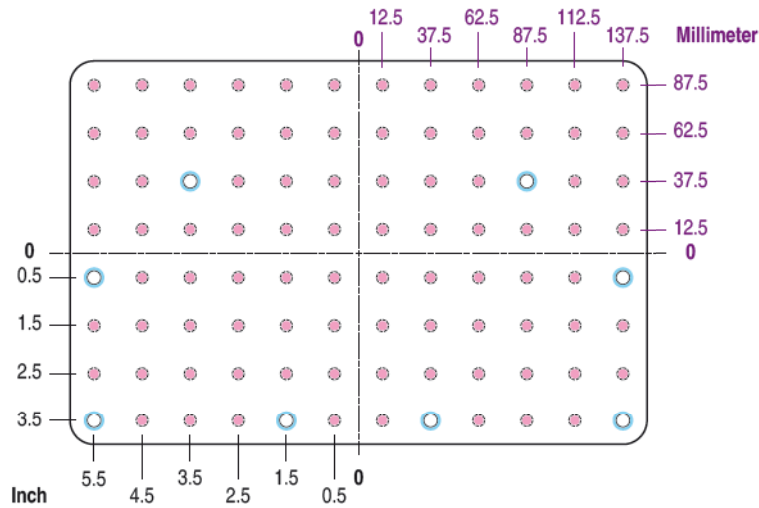
■ Inch ■ Millimeter Pattern... Mounting Holes: 8 each 1/4-20 (M6) Clearance ○ / 88 each 1/4-20 (M6), Threaded ●
 Plate is mirror-symmetric along vertical center line... for clarity only single quadrant dimensions are shown



1280P

8 x 12 x 0.5 Inch Plate / 1280Pr

■ Inch ■ Millimeter Pattern... Mounting Holes: 8 each 1/4-20 (M6) Clearance ○ / 88 each 1/4-20 (M6), Threaded Through ●
 Plate is mirror-symmetric along vertical center line... for clarity single quadrant dimensions are shown



1280Pr

Modular Tiles

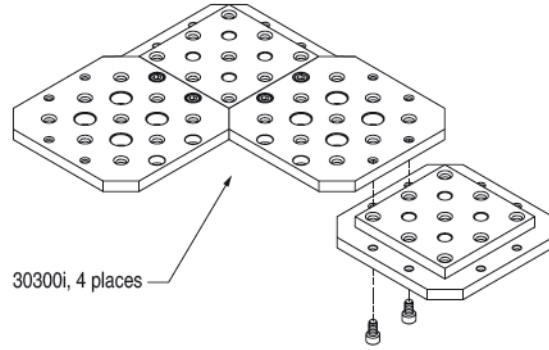
3.5" and 6.5" x 0.5 Inch Modular Tiles



Modular Tiles

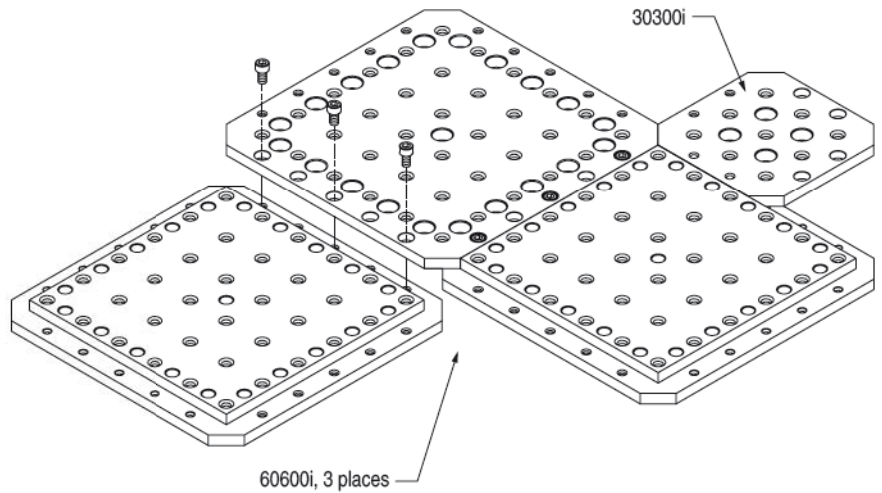
New

The new 60600i platform "tiles" allow the user to build a variety of platform shapes and sizes.



30300i, 4 places

Mix and match to create your own unique platform.



60600i, 3 places

Product Features

- Stable cast aluminum plate
- Pre-drilled, threaded 1/4-20 (M6) and 8-32 (M4)
- Vacuum compatible versions available

Related Products

BB-1.0 building blocks	124
BB 5.0 building blocks	124

Order Information

3.5 x 3.5 inch, square tile	30300i
6.5 x 6.5 inch, square tile	60600i

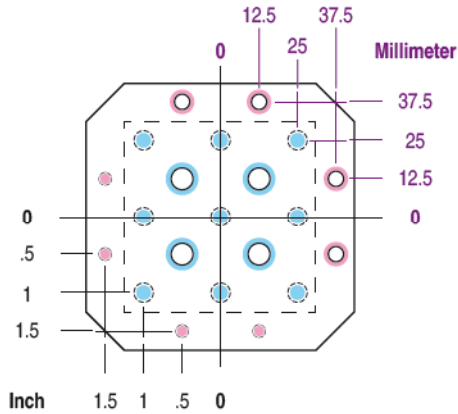
Metric Option — for metric assembly features on this product, add '-M' after model number.

Siskiyou 3" and 6" square tiles can be bolted together in virtually any configuration to create a mounting platform. When a regular breadboard is too big, these tiles can get your project or prototype built with just the right amount of space. For innovative optomechanical solutions, shop Siskiyou!

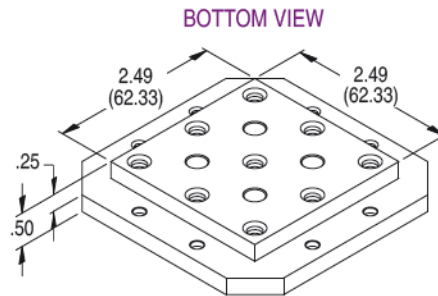
Modular Tiles

3.5" x 0.5" Inch Plate / 30300i

■ Inch ■ Millimeter Pattern... Mounting Holes: 1/4-20 (M6) Clearance ○, Threaded ● / 8-32 (M4) Clearance ○, Threaded ●
 Plate is mirror-symmetric along vertical center line... for clarity single quadrant dimensions are shown



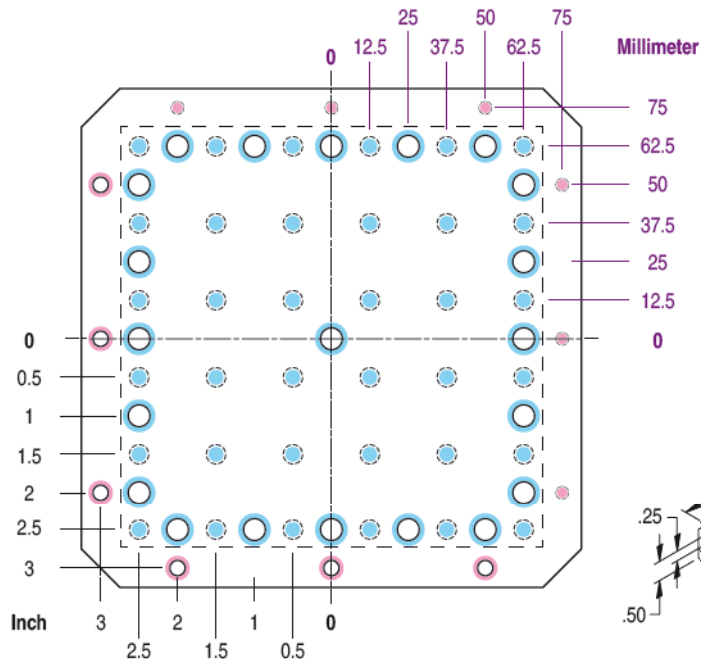
60600i



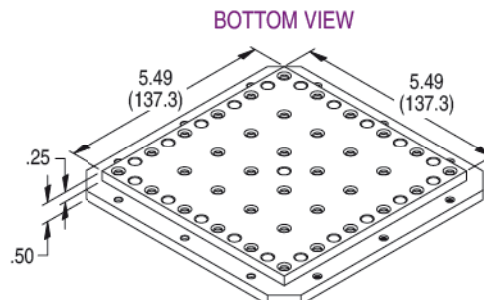
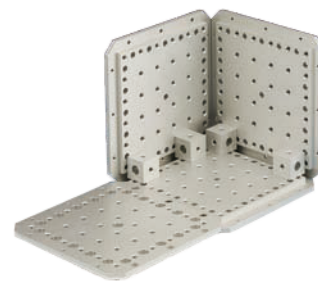
New

6.5" x 0.5" Inch Plate / 60600i

■ Inch ■ Millimeter Pattern... Mounting Holes: 1/4-20 (M6) Clearance ○, Threaded ● / 8-32 (M4) Clearance ○, Threaded ●
 Plate is mirror-symmetric along vertical center line... for clarity single quadrant dimensions are shown



Application



Lightweight Mounting Plates

75 Series



75 Series Breadboards

The 75 Series Breadboards minimize both weight and cost. Siskiyou has teamed up with industry leader TMC to offer these products that match with our platforms, support rods and other modular hardware. A patented (pat# 5,558,920) manufacturing technique allows TMC to form countersunk, tapped holes in a thin top skin of stainless steel. The holes are not drilled or punched, but fabricated in a way that effectively "thickens" the skin in a small ring around the threads and adds to the unit's rigidity. No inserts are used and the formed holes are countersunk and tapped 3 threads deep.

The 75 Series tops have relatively high levels of rigidity, as they utilize a standard steel core. They are ideal when light loads are anticipated and both low weight and low cost are the most crucial factors. The ultra-lightweight design weighs less than 9 lbs/ft² [44 kg/m²].

Standard breadboards have 1/4-20 holes on 1-inch centers. Under all holes are CleanTop® II individual cups that make the core spillproof.

This lightweight design is available from stock in the sizes listed below. A full range of sizes and materials is available on a custom basis. Contact us for pricing and delivery for custom configurations.

Product Features

- Ultra-lightweight design
- Ferromagnetic stainless steel top and bottom skins
- CleanTop® II spillproof core

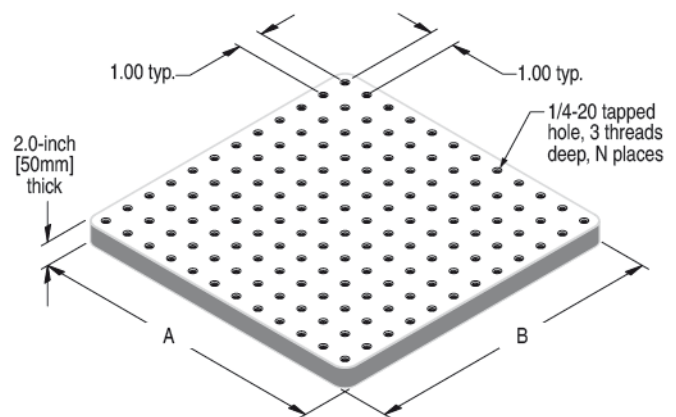
Performance Specifications

Materials	
Top skin	430 series ss, 0.075 in [2 mm] thk
Bottom skin	400 series ss, 0.075 in [2 mm] thk
Sidewalls	high-pressure laminate
Core	steel honeycomb, closed-cell, 0.010 in [0.2 mm] thk foil
Core shear modulus	275,000 psi [19,300 kg/cm ²]
Core cell size	< 0.5 in ² [3 cm ²]
Core density	13.3 lb/ft ³ [230 kg/m ³]
Flatness	± 0.005 in [0.13 mm]
Tapped holes	3 threads, backed by individual CleanTop® II cups

Order Information

19"x23" [450x600]	31 lb [14 kg]	75SSC-103-02
19"x47" [450x1200]	62 lb [28 kg]	75SSC-104-02
23"x23" [600x600]	37 lb [17 kg]	75SSC-113-02
23"x35" [600x900]	56 lb [25 kg]	75SSC-115-02
23"x47" [600x1200]	74 lb [34 kg]	75SSC-119-02
35"x47" [900x1200]	111 lb [50 kg]	75SSC-135-02

75 Series



Model	A	B	N
75SSC-103-02	19.00	23.00	396
75SSC-104-02	19.00	47.00	828
75SSC-113-02	23.00	23.00	484
75SSC-115-02	23.00	35.00	748
75SSC-119-02	23.00	47.00	1012
75SSC-135-02	35.00	47.00	1564

63-500 Series

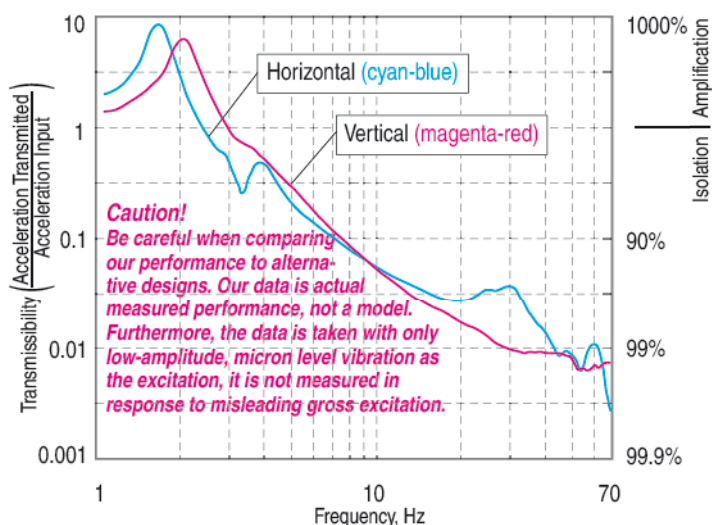
The 63-500 Series High-Performance Lab Tables provide an excellent vibration-free working surface for loads up to 350 lb [160 kg]. Siskiyou has teamed up with isolation table industry leader TMC to offer these products that match with our platforms, support rods and other hardware. Now with modular construction, these tables are recommended for use in such diverse applications as electrophysiology, cell injection, ultramicrotomy, photomicroscopy, scanning tunneling microscopy, and confocal laser scanning microscopy. TMC's Patented Gimbal Piston™ Isolator has been proven by independent tests to consistently outperform the competition. It achieves both horizontal and vertical isolation down to very low input levels. An integral part of the Gimbal Piston, the thin-wall, Dacron®-reinforced, rolling diaphragm air seals are only 0.020 in. [0.5 mm] thick and extremely flexible. They do not stiffen the spring as thicker rubber diaphragms do, to maximize horizontal isolation. All systems are equipped with rugged all-aluminum height control valves. Virtually unbreakable, they are finger-adjustable with no need for tools. The standard model maintains height to ± 0.050 in. [± 1 mm]; the precision model, to ± 0.005 in. [± 0.1 mm]. Unique in the industry, TMC provides sturdy, tamperproof, built-in piston travel restraints. The restraints are completely independent of the table valves and have been ram-tested at forces above those produced by the pistons operating at full pressure. They cannot be decoupled accidentally and do not interfere with setting up and using the table, but simply protect against over-travel without the use of external bars that create hazardous pinch points. Heavy loads, including the top plate, can be safely removed from a table in full operation. Exclusive TMC tiebar gussets increase table frame rigidity. They compensate for the elimination of the front tiebar in order to provide knee and leg room. Table legs include built-in fine-thread 3 in. [75 mm] diameter screw jack levelers with 1/2 in. [13 mm] travel, provision for external adjustment and a handy adjustment wrench. The adjustable feet have a solid, slightly domed shape to assure solid, wobble-free contact with sloping or irregular floors. All table tops come with standard 1/4-20 x 1.0 tapped hole array.



63-500 Series Tables

63-500 Series

63-531 Vibration Isolation Performance



Product Features

- Gimbal Piston™ Isolators
- Rugged Built-in Leveling Feet
- Superior Table Tops

Accessories

- Front & Rear Support Bars • Armrest Pads
- Sliding Shelves • Raised Rear Shelf • Casters

Performance Specifications

Isolator natural frequency	
High input	Vert: 1.2 Hz, Horiz: 1.0 Hz
Low input	Vert: 1.5–2.0 Hz, Horiz: 1.2–1.7 Hz
Isolation efficiency	
@ 5 Hz	Vert: 70–85%, Horiz: 75–90%
@ 10 Hz	Vert: 90–97%, Horiz: 90–97%
Gross load capacity	1,400 lbs [640 kg]
Net load capacity	350 lbs [160 kg]
Facilities required	80 psi nitrogen or air

Order Information

isolator with 2-inch stainless steel laminate	
25"x36" [625x900]	63-511
30"x30" [750x750]	63-521
30"x36" [750x900]	63-531
isolator with 4-inch CleanTop® II	
30"x36" [750x900]	63-533
30"x48" [750x1200]	63-543
30"x60" [750x1500]	63-553

Platforms / Tables

Support Rods & Spacers

PSR and AS Series

Note that dimensions in parentheses (mm) reflect metric assembly features



PSR and AS Series

Platform Support Rods

Our PSR series platform support rods are a solid solution for supporting platforms or other mechanical hardware. Our PSR platform support rods are specifically designed to be used with our 1200 and 12000 series platforms. PSR platform support rods are cross drilled to accept a 3/16 hex wrench. This cross hole enables secure tightening to AS spacers, isolation table tops, or other mechanical devices. When used in conjunction with AS aluminum spacers, accurate placement of our platforms, manipulators, or other devices is easily achieved.

Aluminum Spacers

Use AS aluminum spacers for spacing of any device that needs to be adjusted in either the vertical or horizontal plane. AS spacers can be used by themselves or with ABP series base plates. They are also useful for added height adjustment on top of our PSR platform support rods. For horizontal applications use our BB-1.0 building block cube attached to the top of an AS spacer, then bolt another AS spacer to one or more of the four sides.



Application

Individual size spacers are available in packages of 4 or in assortment kits. See ordering information at left and below.

Product Features

- Solid aluminum construction
- Sizes from 0.125- to 10.0-inch
- Cost-effective support system
- Vacuum compatible versions available upon request

Related Products

platforms	beginning 102
post mount clamp	112
perfusion chambers	192

Order Information

platform support rods	
4.0 inch	PSR-4.0
6.0 inch	PSR-6.0
10.0 inch	PSR-10.0

Aluminum spacers, Assortment kit	AS-1A
.125", package of 4	AS-.125
.250", package of 4	AS-.250
.500", package of 4	AS-.500
1.00", package of 4	AS-1.00
1.50", package of 4	AS-1.50
2.00", package of 4	AS-2.00
4.00", package of 1	AS-4.00
6.00", package of 1	AS-6.00

Metric Order Information

platform support rods	
100 mm	PSR-100
150 mm	PSR-150
250 mm	PSR-250

Aluminum spacers, Assortment kit	AS-25A
3 mm, package of 4	AS-3
7 mm, package of 4	AS-7
15 mm, package of 4	AS-15
25 mm, package of 4	AS-25
40 mm, package of 4	AS-40
50 mm, package of 4	AS-50
100 mm, package of 1	AS-100
150 mm, package of 1	AS-150

AS-1A — Inch Size — Aluminum Spacers, Assortment Kit

- One (1) of each spacer size AS-.125 through AS-2.00
- Two (2) 1/4-20 x 5/8 stainless steel set screws to attach AS-1.50 to AS-2.00

AS-25A — Metric Size — Aluminum Spacers, Assortment Kit

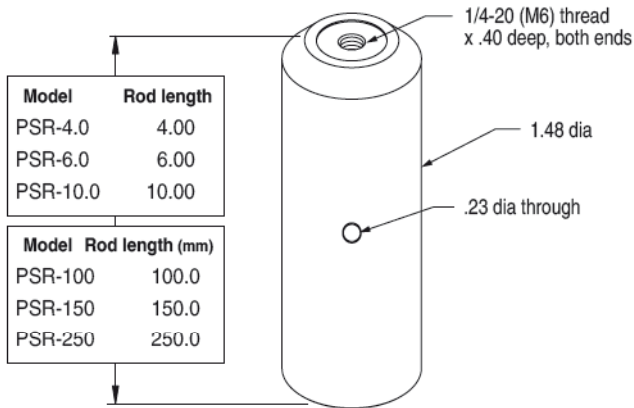
- One (1) of each spacer size AS-3 through AS-50
- Two (2) M6 x 15 stainless steel set screws to attach AS-40 to AS-50

Platforms / Tables

Support Rods & Spacers

PSR Series

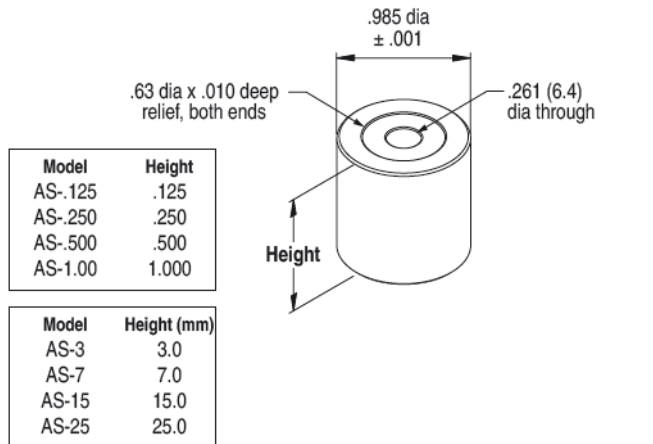
Note that dimensions in parentheses (mm) reflect metric assembly features



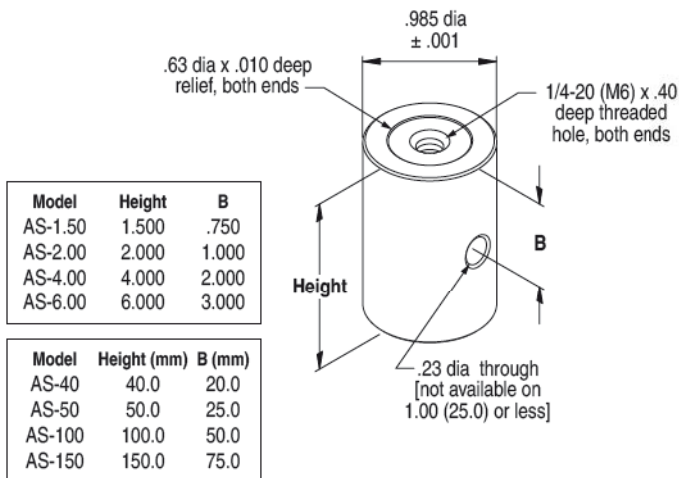
PSR Series

AS Series

Note that dimensions in parentheses (mm) reflect metric assembly features



AS Series



Post Mount
Clamps on page
112

Large Mounting Posts

LMP Series

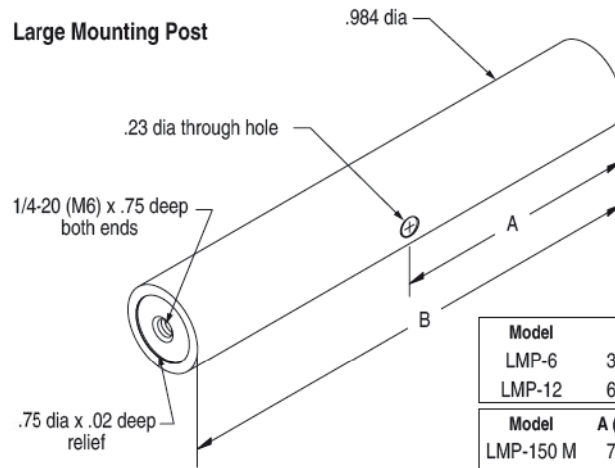
Note that dimensions in parentheses (mm) reflect metric assembly features



LMP Series



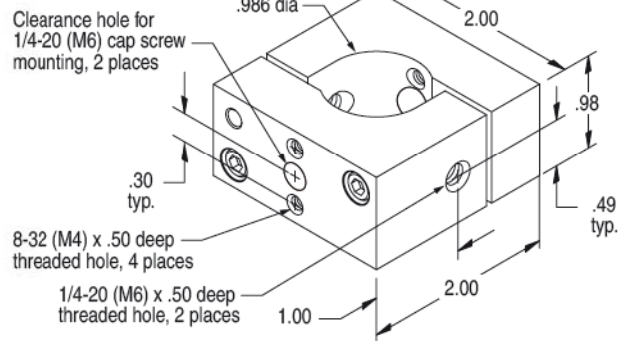
AS-C



Model	A	B
LMP-6	3.00	6.00
LMP-12	6.00	12.00

Model	A (mm)	B (mm)
LMP-150 M	75.0	150.0
LMP-300 M	150.0	300.0

Post Mount Clamp



Product Features

- High quality support post
- 1/4-20 tapped holes on each end
- Cross drilled for positive tightening
- Vacuum compatible versions available upon request

Related Products

AS series aluminum spacers	110
MX110 micromanipulator	156
MX6500 micromanipulator	165
MX7500 micromanipulator	170

Order Information

large mounting post, 6.0 inch	LMP-6
large mounting post, 12.0 inch	LMP-12
large mounting post, 150.0 mm	LMP-150
large mounting post, 300.0 mm	LMP-300
post clamp, nominal 1 inch post	AS-C
post clamp, metric model	AS-C-M

Large Mounting Posts

Our LMP series large mounting rods are a solid solution for supporting platforms or other mechanical hardware. The LMP large mounting post can be directly mounted to an isolation table top, PSR series platform support rods, or AS series spacers. LMP series mounting rods are cross drilled to accept a 3/16 hex wrench. This cross hole enables secure tightening to AS spacers, isolation table tops, or other mechanical devices.

The LMP's 0.984 diameter is the same as the mounting post for MX110s, MX6500s, and MX7500s. When used as a support leg for a fixed-stage platform, the LMP-6 can be used to attach any of these manipulators to create a rigid integrated mounting point.

Post Mount Clamp

The AS-C post clamp is designed to mount to our AS series and LMP series posts. The symmetrical design has a 1/4-20 clearance, 8-32 and 1/4-20 tapped holes conveniently located to attach a wide variety of devices. The clamp design will accommodate diameters from .950 inch to 1.25 inch. The AS-C is available in a metric version by adding "-M" to the Model number.