

## | TSF40 SERIES

### COMPACT INTERNAL MOUNT WITH TEMPERATURE SENSING



The TSF40 series is a compact internal fitting device, with a high specification thermistor so capable of sensing both liquid level and temperature.

Mounting of this series requires access to the inside of the tank.

Typical applications include vending machines, commercial washing machines and evaporator units.

They are manufactured in a variety of materials with a choice of gasket materials, to suit most commonly used liquids.

The switch action may be reversed by rotating the device through 180°.

Available with flying lead connection.

#### Features

- Compact design with temperature sensing
- Available in Nylon, Polypropylene or PPS
- 25VA & 100VA versions
- WRAS Approved versions

## SPECIFICATIONS

### Technical

	TSF43	TSF44	TSF48	TSF46
<b>Material</b>	Nylon	Polypropylene WRAS approved	Polypropylene	Polyphenylene Sulphide (PPS)
<b>Colour</b>	Black	Opaque	White	Grey
<b>Temp. Range</b>	°C	-20/+75	-20/+100	-10/+120*
		°F	-4/+167	-4/+212
<b>Min. Fluid SG</b>	0.85	0.85	0.85	0.85
<b>Must Close Level (SG=1)</b>	7mm	8mm	8mm	9mm
<b>Must Open Level (SG=1)</b>	20mm	20mm	20mm	24mm

\*Maximum temperature requires ETFE cable to be specified.

## Electrical

		<b>25W (Y code)</b>	<b>100W (H code)</b>
<b>Contact Form</b>		N/O (N/C)	N/O (N/C)
<b>Switching Power Max</b>	VA	25	100
<b>Switching Voltage AC Max</b>	V	240	300
<b>Switching Voltage DC Max</b>	V	120	300
<b>Switching Current Max</b>	A	0.6	1

All ratings are for resistive load only.

## Thermistor

<b>Nominal Temperature Resistance</b>	10k Ohm at 25°C
<b>Resistance Tolerance</b>	+/- 1%(25°C) to +/-4.3%(120°C)
<b>Operating Temperature Range</b>	-20°C to +120°C
<b>Temperature Sensing Accuracy</b>	+/-0.2°C (0°C to +70°C)
<b>Beta Value</b>	3892K (0/50°C)
<b>Response Time</b>	<1 sec
<b>Dissipation Constant</b>	0.75mW/K

## STANDARD PARTS

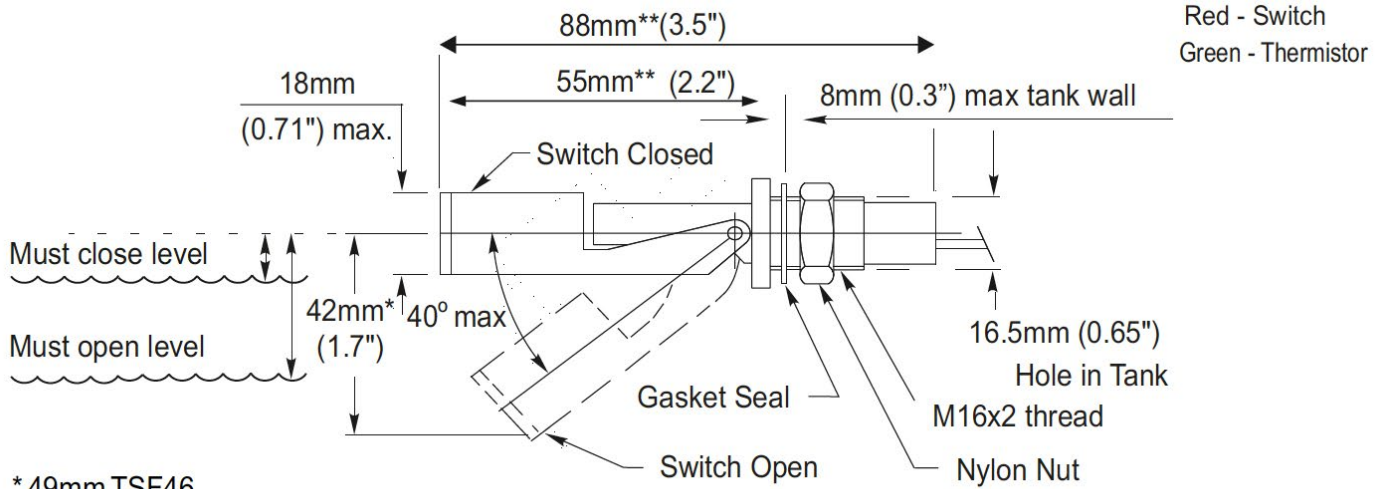
	<b>Material</b>	<b>Temperature</b>	<b>Max Power</b>	<b>Leadouts</b>	<b>Gasket</b>	<b>Approvals</b>
<b>TSF43H100DF</b>	Nylon	-20°C to +75°C	100VA	100cm PVC 16/0.2	Nitrile	WRAS
<b>TSF43Y100DF</b>	Nylon	-20°C to +75°C	25VA	100cm PVC 16/0.2	Nitrile	WRAS
<b>TSF44H100DF</b>	PP	-20°C to +100°C	100VA	100cm PVC 16/0.2	Nitrile	WRAS
<b>TSF44Y100DF</b>	PP	-20°C to +100°C	25VA	100cm PVC 16/0.2	Nitrile	WRAS
<b>TSF46H050TG</b>	PPS	-10°C to +120°C	100VA	50cm ETFE 19/0.2	Viton	WRAS
<b>TSF46H100DF</b>	PPS	-10°C to +100°C	100VA	100cm PVC 16/0.2	Nitrile	WRAS
<b>TSF46Y050TG</b>	PPS	-10°C to +120°C	25VA	50cm ETFE 19/0.2	Viton	WRAS
<b>TSF46Y100DF</b>	PPS	-10°C to +105°C	25VA	100cm PVC 16/0.2	Nitrile	WRAS
<b>TSF48H100DF</b>	PP (UL)	-20°C to +100°C	100VA	100cm PVC 16/0.2	Nitrile	
<b>TSF48Y100DF</b>	PP (UL)	-20°C to +100°C	100VA	100cm PVC 16/0.2	Nitrile	

Custom versions can be made for particular applications. Please contact Sensata with your requirements.



# DIMENSIONS

All dimensions are in millimeters.



\* 49mm TSF46

\*\* Add 10mm to dims, TSF46

Distributor

where technologies meet solutions

info@amstechnologies.com  
www.amstechnologies-webshop.com

**Contact us**

Made in the UK

Sensata Technologies, Inc. ("Sensata") data sheets are solely intended to assist designers ("Buyers") who are developing systems that incorporate Sensata products (also referred to herein as "components"). Buyer understands and agrees that Buyer remains responsible for using its independent analysis, evaluation and judgment in designing Buyer's systems and products. Sensata data sheets have been created using standard laboratory conditions and engineering practices. Sensata has not conducted any testing other than that specifically described in the published documentation for a particular data sheet. Sensata may make corrections, enhancements, improvements and other changes to its data sheets or components without notice.

Buyers are authorized to use Sensata data sheets with the Sensata component(s) identified in each particular data sheet. HOWEVER, NO OTHER LICENSE, EXPRESS OR IMPLIED, BY ESTOPPEL OR OTHERWISE TO ANY OTHER SENSATA INTELLECTUAL PROPERTY RIGHT, AND NO LICENSE TO ANY THIRD PARTY TECHNOLOGY OR INTELLECTUAL PROPERTY RIGHT, IS GRANTED HEREIN. SENSATA DATA SHEETS ARE PROVIDED "AS IS". SENSATA MAKES NO WARRANTIES OR REPRESENTATIONS WITH REGARD TO THE DATA SHEETS OR USE OF THE DATA SHEETS, EXPRESS, IMPLIED OR STATUTORY, INCLUDING ACCURACY OR COMPLETENESS. SENSATA DISCLAIMS ANY WARRANTY OF TITLE AND ANY IMPLIED WARRANTIES OF MERCHANTABILITY, FITNESS FOR A PARTICULAR PURPOSE, QUIET ENJOYMENT, QUIET POSSESSION, AND NON-INFRINGEMENT OF ANY THIRD PARTY INTELLECTUAL PROPERTY RIGHTS WITH REGARD TO SENSATA DATA SHEETS OR USE THEREOF.

All products are sold subject to Sensata's terms and conditions of sale supplied at [www.sensata.com](http://www.sensata.com) SENSATA ASSUMES NO LIABILITY FOR APPLICATIONS ASSISTANCE OR THE DESIGN OF BUYERS' PRODUCTS. BUYER ACKNOWLEDGES AND AGREES THAT IT IS SOLELY RESPONSIBLE FOR COMPLIANCE WITH ALL LEGAL, REGULATORY AND SAFETY-RELATED REQUIREMENTS CONCERNING ITS PRODUCTS, AND ANY USE OF SENSATA COMPONENTS IN ITS APPLICATIONS, NOTWITHSTANDING ANY APPLICATIONS-RELATED INFORMATION OR SUPPORT THAT MAY BE PROVIDED BY SENSATA.

Mailing Address: Sensata Technologies, Inc., 529 Pleasant Street, Attleboro, MA 02703, USA.