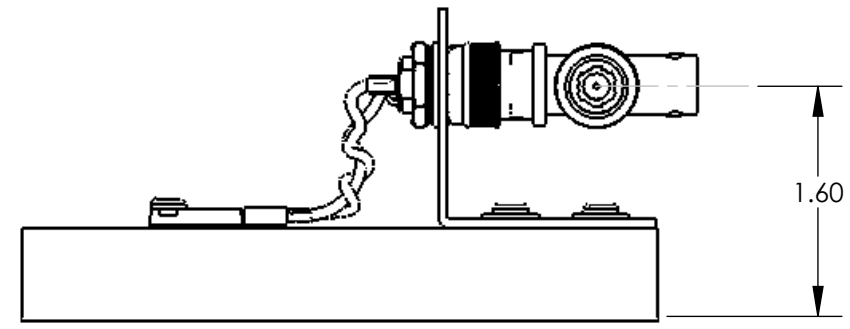
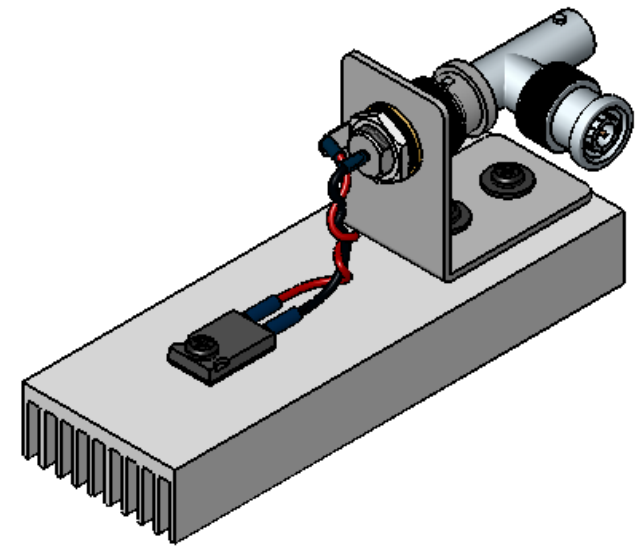
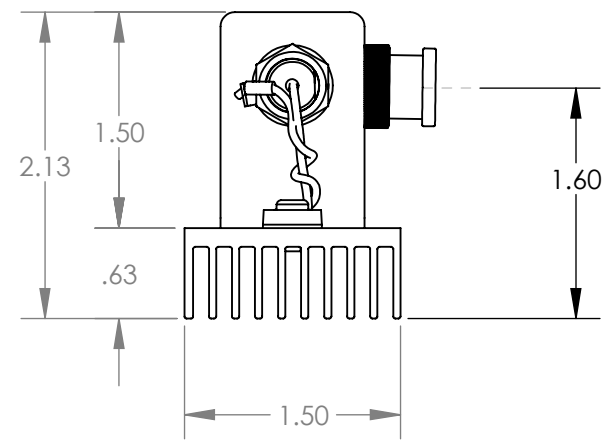
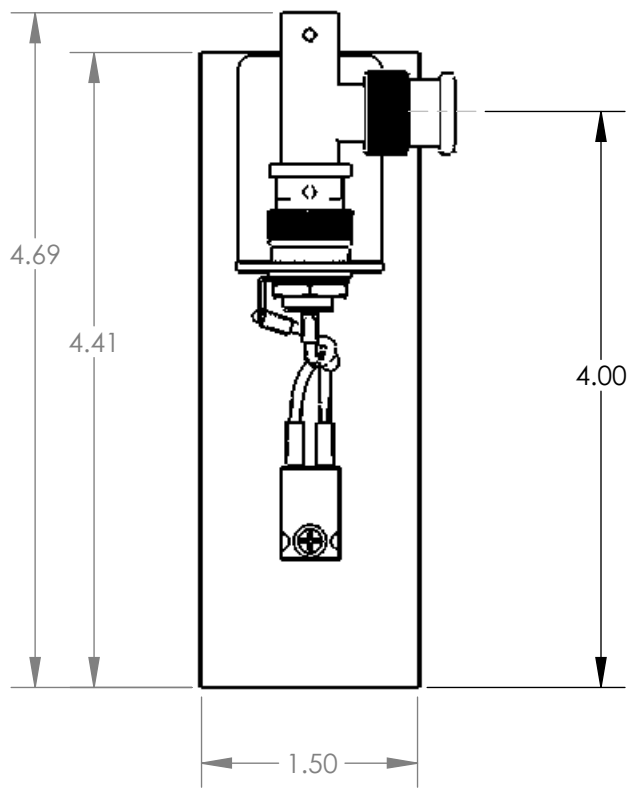


REVISIONS			
REV.	DESCRIPTION	DATE	APPROVED
-			



UNLESS OTHERWISE SPECIFIED DIMENSIONS ARE IN INCHES TOLERANCES

1 PL DECIMALS ± .1  
 2 PL DECIMALS ± .01  
 3 PL DECIMALS ± .005

ANGLES ± 1°  
 FRACTIONS ± 1/64TH

THIRD ANGLE PROJECTION

THIS DRAWING AND INFORMATION CONTAINED THEREIN ARE THE PROPERTY OF WAVELENGTH ELECTRONICS, INC. (WEI). BY ACCEPTING THIS INFORMATION, THE BORROWER AGREES THAT IT WILL NOT BE USED FOR ANY PURPOSE OTHER THAN FOR WHICH IT WAS LOANED. IF THE BORROWER OF THIS DOCUMENT HAS NOT SIGNED A CONFIDENTIALITY AGREEMENT WITH WEI, THEN HE/SHE MUST REPORT THIS FACT TO WEI.

APPROVALS		
SIGNATURES	DATE	
ORIGINATOR <b>G. NIEBEL</b>	11-3-14	
ENGINEERING		
CHECKED		
APPROVED		
APPROVED		

**wavelength Electronics™**  
 P.O. Box 865 Bozeman, Montana 59771  
 Phone: (406) 587-4183  
 Fax: (406)-587-4911

TITLE: **QCLTL-LO**

SIZE **B** DWG (PRR) NO. :  
 SCALE: 1:1

REV **A**  
 SHEET 1 OF 1

