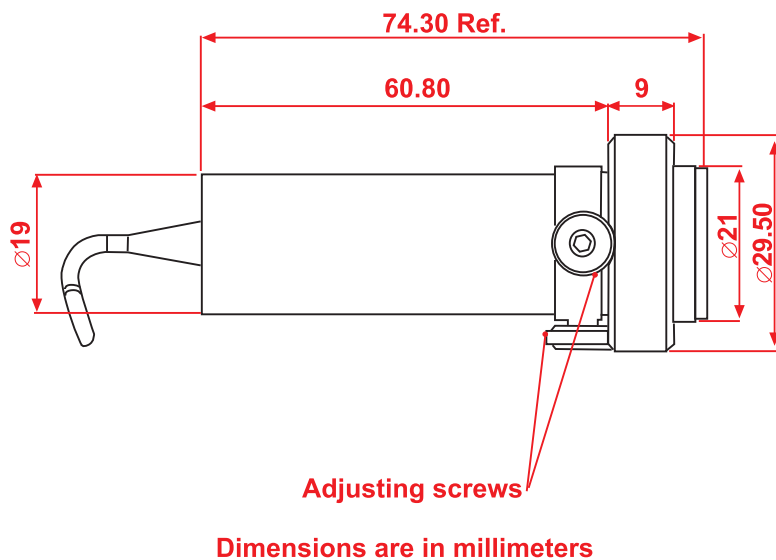


LaserOn *The Alignment Laser*

Option A) Battery operated (included), cable with thumb switch (360 mm long)

Option B) Cable to external power supply



Main Features:

- Visible light laser diode (635nm)
- 3V battery operated or external power supply operated
- Compact in size : Length 69.3mm, Tube diameter 19mm (3/4")
- Built-in screws for fine beam direction adjustment, angle range about $\pm 1^\circ$ in both axes
- Output power $> 1\text{mW}$, max power $< 3\text{mW}$
- Aircraft Aluminum 6061T
- Weight 110 Gram with battery
- Weather-Proof
- Battery operation: over 10 hours

- Spot size @ 13.5% : $3165\mu\text{m} \times 1600\mu\text{m}$ ($\pm 20\%$) at 1m, $3820\mu\text{m} \times 3262\mu\text{m}$ ($\pm 20\%$) at 6m
- Beam divergence : $< 0.5 \text{ mRad}$
- Power stability : Better than $10 \mu\text{W}$
- Pointing stability : $< 1 \mu\text{Rad}$
- Class 111a laser product

Accessories:

- 1" ring adaptor for mounting
- Allen key for adjustment of Elevation and Pitch
- Battery (Alkaline 3Volt, CR123A) for model LaserOn Bat only

Ordering information:

- **LaserOn Bat** : Battery operated laser
 - **LaserOn PS** : Power Supply operated laser
- Power Supply data** : Input Voltage 90-264 VAC, Output Voltage: 3.3V, 1A, noise 1% PTP

Distributor



info@amstechnologies.com
www.amstechnologies-webshop.com

Contact us