

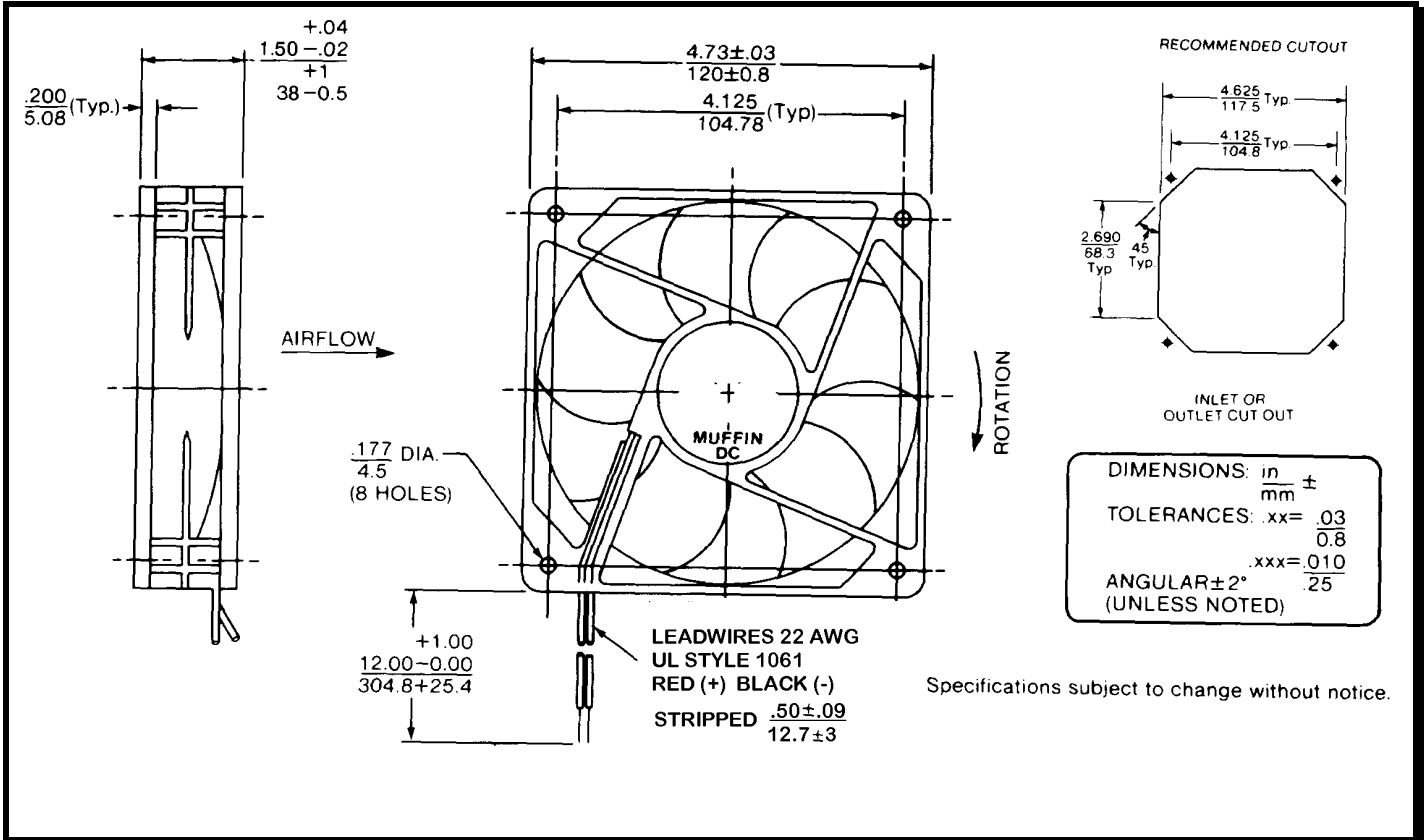
SPECIFICATIONS



Part Number: 19032527A
Model Number: MS48B3

December 14, 2004

Mechanical Drawing:



Motor:

Nominal Voltage = 48 vdc
Operating Voltage Range = 24 - 56 vdc
Nominal Running Current = 0.150 amps
Max. Locked Rotor Current = 0.390 amps
Running Power = 7.4 watts
Average Speed = 2900 RPM
Bearings = Ball
Air Flow = 110 CFM
Acoustic = 49.1 dBA

Construction:

Venturi: Glass filled nylon, black, UL 94V-0
Propeller: Plastic, UL 94V-0, black

Life Expectancy:

This fan is designed for continuous duty life of 85,000 hours at 40°C.

Additional Features:

Brushless DC Motor
Polarity Protected
Automatic Reset Capability
Locked Rotor Protection
Operating Temperature: -10°C to 70°C
Storage Temperature: -40°C to 85°C

Termination:

12" Lead-wires, AWG 22, UL 1061
Red - Power (+)
Black - Return (-)

Agency Approvals:

cURus, CE