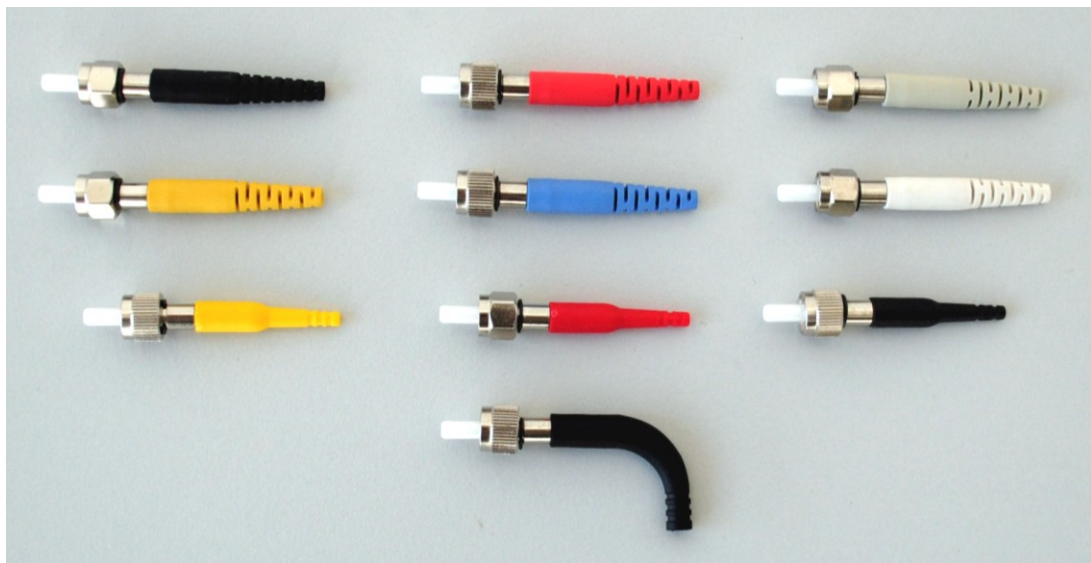


SMA 905 Connector Kit Crimp Type



TECHNICAL SPECIFICATION



G E N E R A L

This specification covers the SMA 905 Connector Kit Crimp Type for SM, MM standard and MM large core applications according to IEC 61754-22.

M O D E L S A V A I L A B L E

The SMA 905 Connector Crimp Type is available with the following crimps, boots sizes and colours:

Cable Diameter	Ø 900 µm	1.6 mm	2.0 mm Slotted	2.5 mm	3.0 mm Slotted
Boot	Red, Black and Yellow	2mm Boot	White, Blue, Red, Black, Yellow, Beige and Green.	3mm Boot	White, Blue, Red, Black, Yellow and Beige.
Crimp	---	Available	Available	Available	Available

Special Boots

Cable Diameter	Ø 900 µm	1.6 mm	2.0 mm	2.5 mm	3.0 mm
90° Boot	---	2mm Boot	Black	3mm Boot	Black

Optoplast SMA 905 connectors are supplied, as standard in the following configurations:

	Boots for SMA 905 Connectors
Multimode	Black
Singlemode PC	Yellow

Availability of Hexagonal or Round Nut; Optoplast patchcords are assembled as standard with SMA 905 round nut.

Other boot colours are available on request.

Available ferrules: refer to Spec. N° FR-3.172-01-001.

M E C H A N I C A L C H A R A C T E R I S T I C S

Mating Durability	>500 connections	IEC61300-2-2
Cable Retention	100 N, 120s	IEC61300-2-4
900 µm Buffer Retention	5 N, 60s	IEC61300-2-4
Vibration	10 – 55 Hz , 1 octave / min. 3 axis of 15 cycles , 0.5h/axis amplitude 0.75mm	IEC61300-2-1
Repeated Bending Cable	100 cycles -90°/0°/+90°/0° Load = 5N	IEC61300-2-44
Repeated Bending 900 µm Buffer	100 cycles -90°/0°/+90°/0° Load = 0.2N	IEC61300-2-44
Cable Torsion	1.5kg -2.5kg for 2mm-3mm cable diameter	IEC60794-2-5
Drop	1.5m , 5 times	IEC61300-2-12
Static Side Load	1N , 1h	IEC61300-2-42
Static Side Load 900 µm Buffer	0.2N , 5min	IEC61300-2-42
Cold	-25°C , 96h	IEC61300-2-17
Dry Heat	+70°C , 96h	IEC61300-2-18
Change of temperature	-25°C to +70°C , 12 cycles	IEC61300-2-22

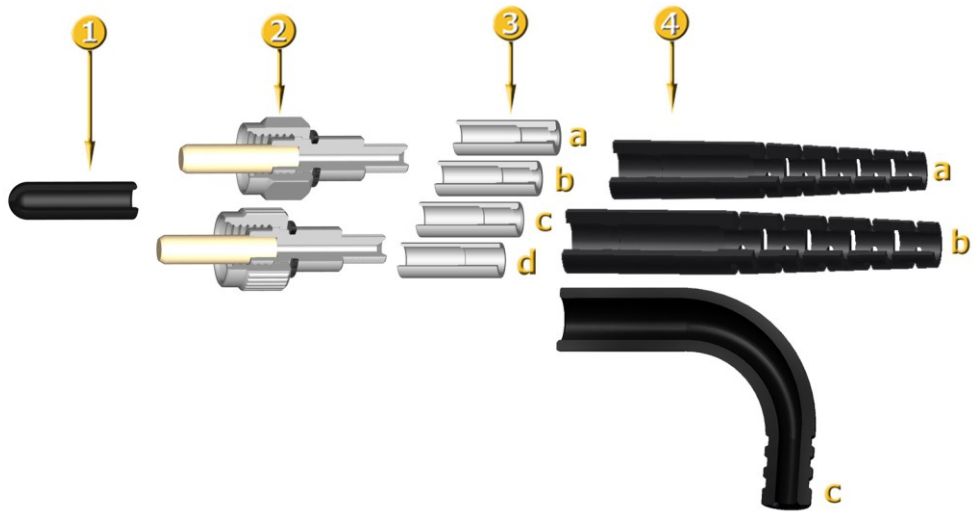
P A C K A G I N G

Each separate component of the SMA 905 crimp type connector is packed as standard in transparent plastic bags of 500 pieces.

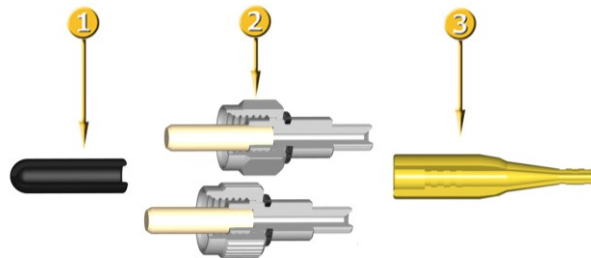
There is no logo nor any company marking on the bags.

Customized packaging and labelling solutions are available on request.

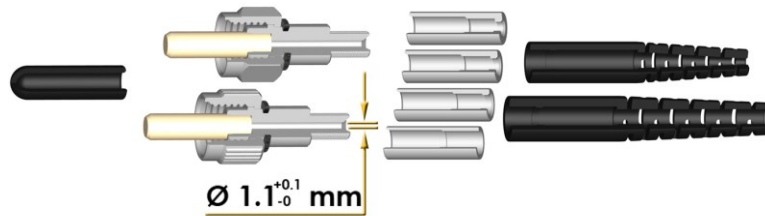
SMA 905 Crimp Type Connector for \varnothing 1,6 - 2 - 2,5 - 3 mm cables



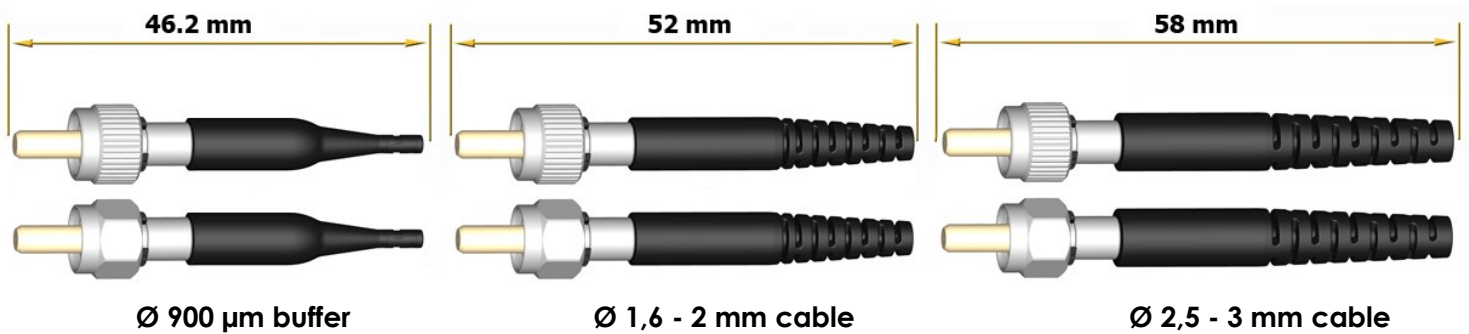
SMA 905 Connector for \varnothing 900 μ m buffer



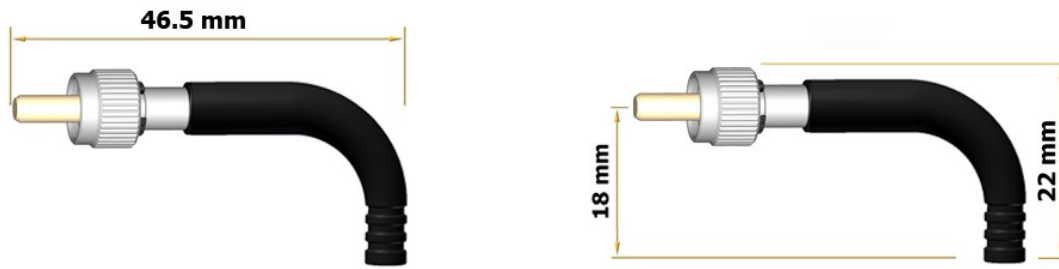
SMA 905 Crimp Type Connector for \varnothing 1,6 - 2 - 2,5 - 3 mm cables



SMA 905 Crimp Type Connector Overall Dimensions



SMA 905 Crimp Type Connector with 90° Black Boot for Ø 2 - 3 mm cables



C O M P O N E N T S A N D M A T E R I A L S

N°	Component	Material	
1	Dust Cap	Vinyl	
2	Connector Body	Ferrule	Zirconia
		Flange	Nickel Plated Zinc Alloy
		Nut	Nickel Plated Zinc Alloy
		Seeger Ring	Stainless Steel
3.a	Crimp Tube for Cable Ø 1.6 mm	Nickel Plated Zinc Alloy	
3.b	Crimp Tube for Cable Ø 2.0 mm	Nickel Plated Zinc Alloy	
3.c	Crimp Tube for Cable Ø 2.5 mm	Nickel Plated Zinc Alloy	
3.d	Crimp Tube for Cable Ø 3.0 mm	Nickel Plated Zinc Alloy	
4.a	Boot for Cable Ø 1.6 - 2 mm	Polymer	
4.b	Boot for Cable Ø 2.5 - 3 mm	Polymer	
4.c	90° Boot for Cable Ø 2 - 3 mm	Polymer	
4	Boot for Ø 900 mm buffer	Polymer	

All components of the connector are RoHS and REACH compliant.

E N D O F S P E C I F I C A T I O N