

## HEIGHTS

PART NAME	DIM "A"	DIM "B"
AS-.125 (AS-3)	.125 (3.0)	NA
AS-.250 (AS-7)	.250 (7.0)	NA
AS-.500 (AS-15)	.500 (15.0)	NA
AS-1.00 (AS-25)	1.00 (25.0)	NA
AS-1.50 (AS-40)	1.50 (40.0)	.75 (20.0)
AS-2.00 (AS-50)	2.00 (50.0)	1.00 (25.0)
AS-4.00 (AS-100)	4.00 (100.0)	2.00 (50.0)
AS-6.00 (AS-150)	6.00 (150.0)	3.00 (75.0)

DIMENSIONS IN PARENTHESES  
REFLECT METRIC ASSEMBLY  
FEATURES

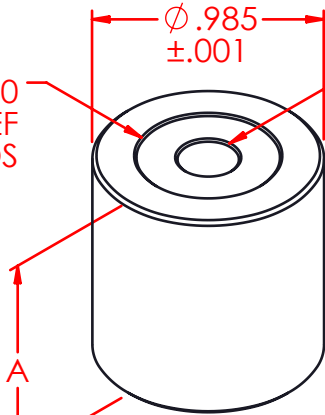
$\phi .63 \times .010$   
DEEP RELIEF  
BOTH ENDS

$\phi .985$   
 $\pm .001$

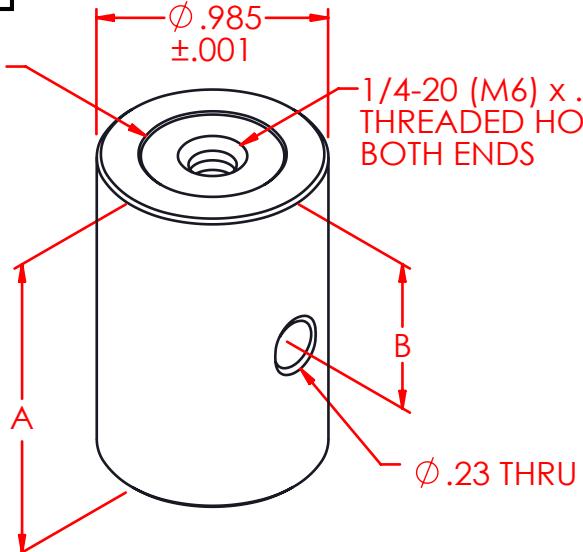
1/4-20 (M6) x .40 DEEP  
THREADED HOLE,  
BOTH ENDS

$\phi .261 (6.4)$   
THRU

$\phi .63 \times .010$   
DEEP RELIEF  
BOTH ENDS



AS-.125 (3.0) , AS-.250 (7.0),  
AS-.500 (15.0) & AS-1.00 (25.0)



AS-1.50 (40.0), AS-2.00 (50.0),  
AS-4.00 (100.0) & AS-6.00 (150.0)