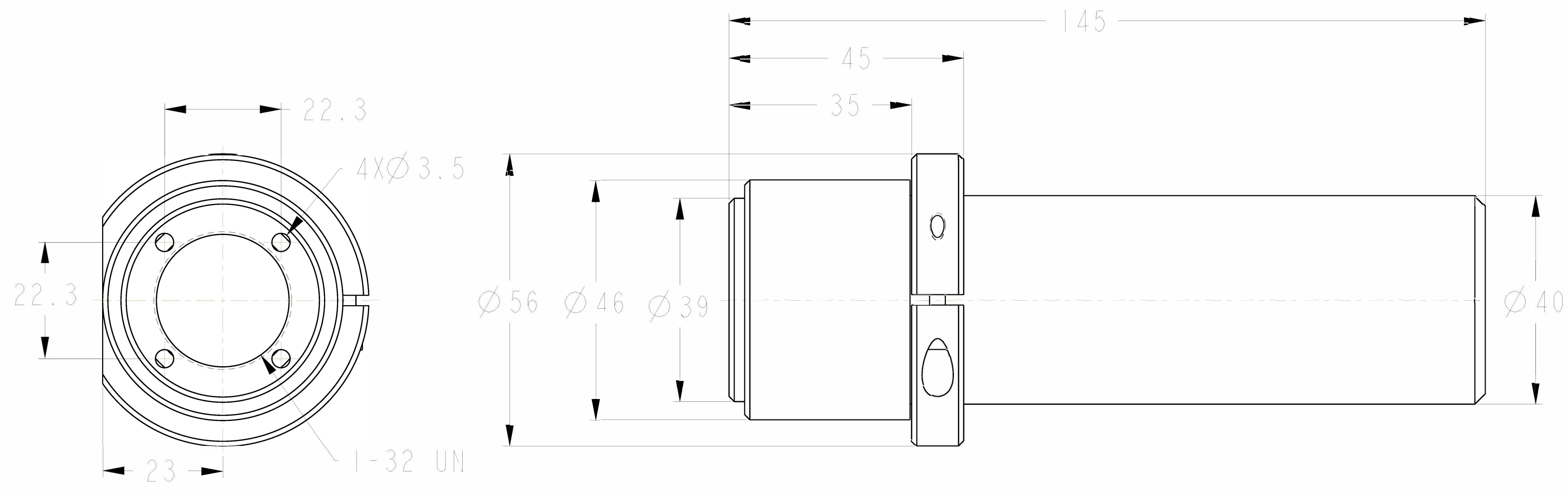
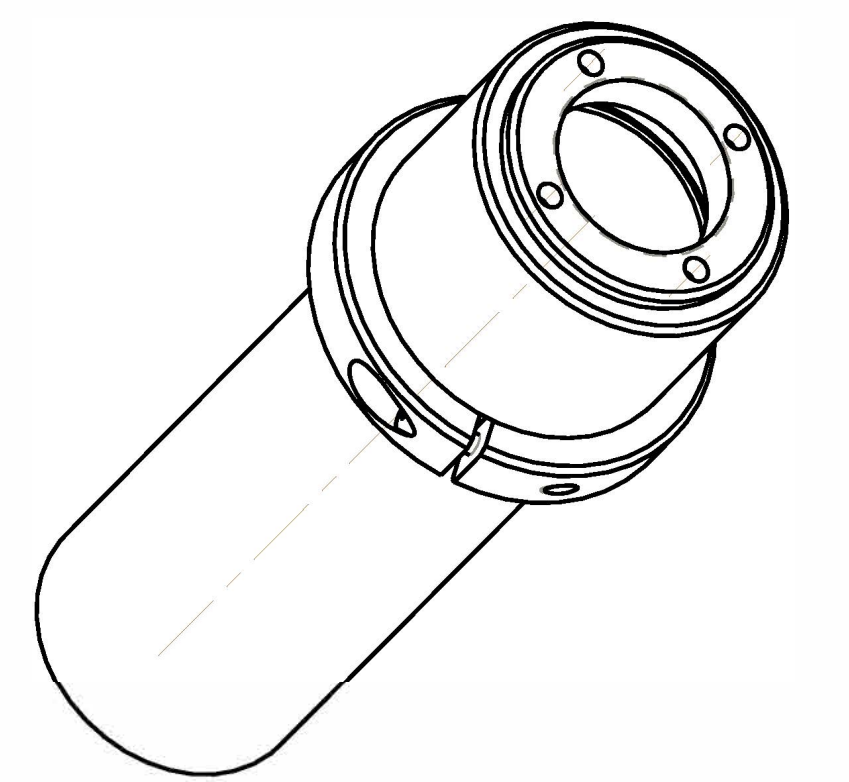


LT	CO	DATE	CHK



Distributor

where technologies meet solutions

info@amstechnologies.com
www.amstechnologies-webshop.com

Contact us

<small>This document and the information and data contained herein are proprietary to and the exclusive property of Mightex Systems. This document and the information and data contained herein may not be used, copied, published or disclosed without the express prior written consent of Mightex Systems.</small>			
MATERIAL:	THE INFORMATION AND DATA CONTAINED HEREIN CONFORMS TO ASME Y14.5M-1994	DRAWN: DATE: 07-Apr-13	Mightex Systems microscope illuminator
ALT. MATL:	ALL UNTOLERANCED DIMENSIONS ARE BASIC	RADI: INSIDE:	
CASE DEPTH:	UNLESS OTHERWISE SPECIFIED, ALL DIMENSIONS ARE IN MM	RADI: OUTSIDE:	SIZE D No. 402000
HARDNESS:		UNLESS OTHERWISE SPECIFIED, SURFACE FINISH 6.3	
SURFACE TREATMENT:		THIRD ANGLE PROJ	REL. NO. SHEET 2 OF 2