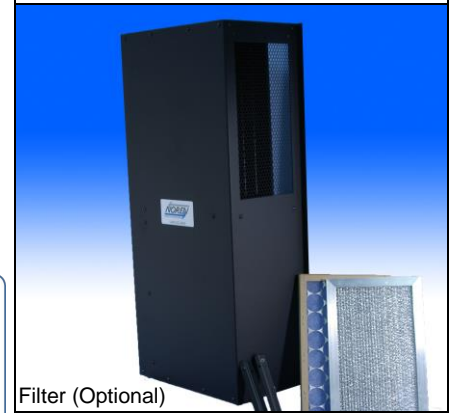
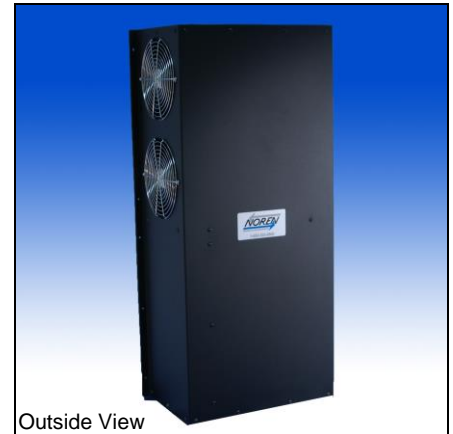
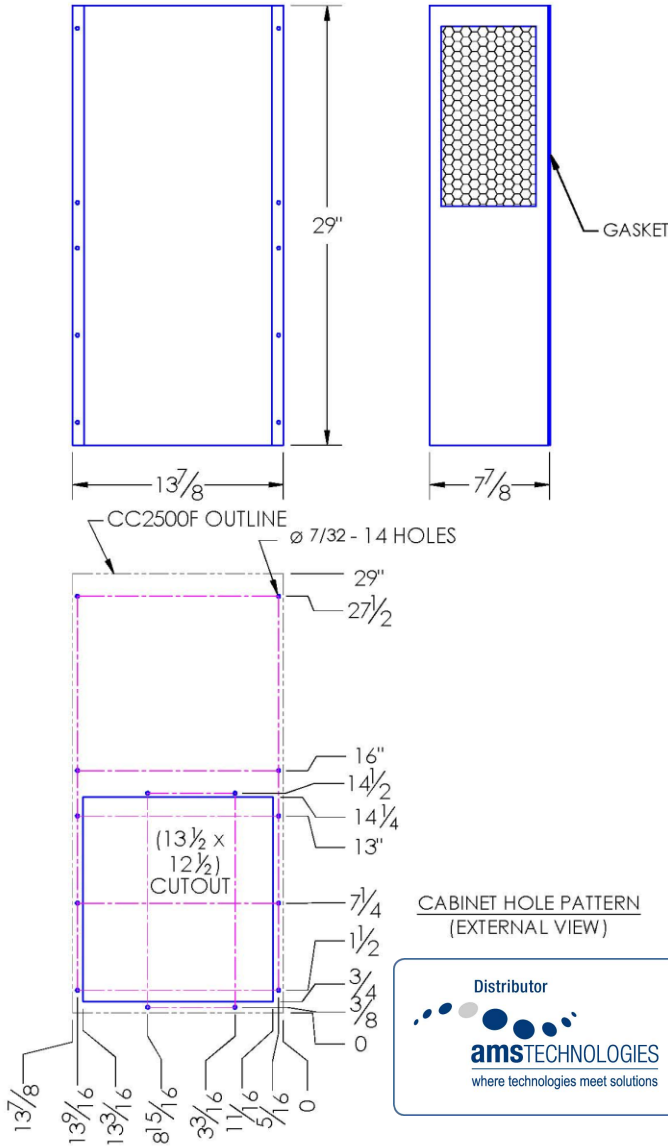


# CC2500F TYPE 12 COMPACT CABINET COOLER AIR-TO-AIR FLUSH-MOUNT MODEL

Model	Weight	Rating @ 20°C ΔT BTU / hr	Amps Current Draw at 115 volts AC	Fan Size	Dimensions-Inches (H x W x D)
CC2500F	30 lbs	7,100	1.2	4 x 6"	29 x 13-7/8 x 7-7/8

Efficiency: 104.0 Watts / °C ΔT based on average internal cabinet temperature.



Distributor  
**amstechnologies**  
where technologies meet solutions

info@amstechnologies.com  
www.amstechnologies-webshop.com

**Contact us**

- ### SPECIFICATIONS
1. UL Listed for TYPE 12 environments.
  2. CC2500F Rated cooling: 2,080 Watts at 20°C ΔT (104.0 W/°C, mounted to an uninsulated 72" X 36" X 24" Cabinet)
  3. Designed for surface mounting on outside of cabinet.
  4. Housing is aluminum (color is black). Stainless steel is available.
  5. Equipped with mounting gasket to maintain air tight seal.
  6. Internal 6-ft. power cord with 3-prong plug is standard for AC powered units.
  7. Available with VAC (115 & 230) and VDC (12, 24, & 48) fans. DC powered units include junction box, consult website.
  8. Unit may be mounted vertically (as shown) or horizontally.
  9. Optional: inlet air-filter kit available upon request.
  10. For design, quote, and sizing assistance: call (866) 936-6736.

Subject to change without notice.

**UL** US LISTED  
UL File #SA9567

Proudly made in USA

**BSI**  
ISO 9001:2008  
FM 554949

**NOREN**  
1010 O'Brien Drive  
Menlo Park, CA 94025  
650.322.9500  
norenproducts.com

**CC2500F TYPE 12**

CCS-PBD-7.2.2-883350-B