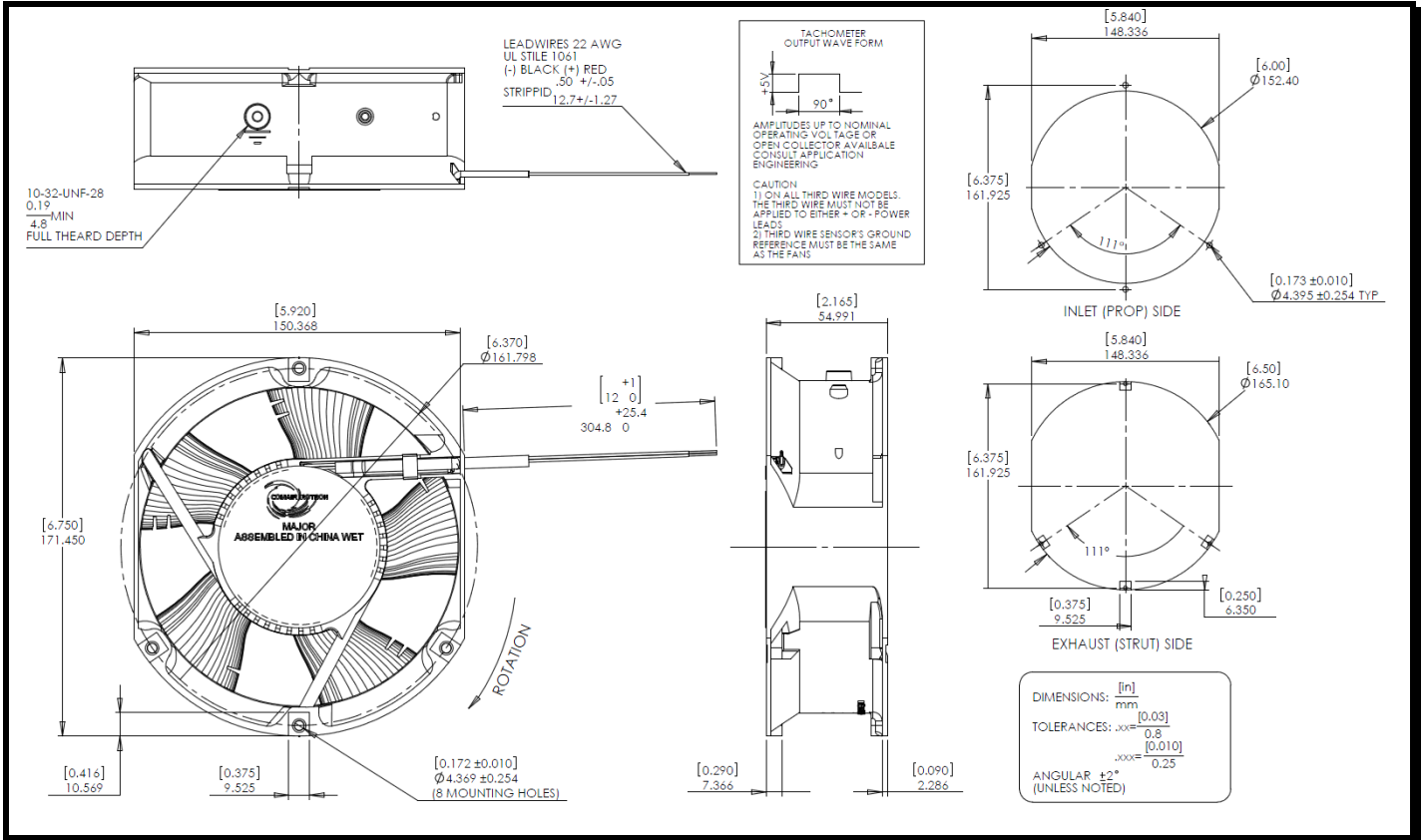


SPECIFICATIONS



Model Number: MT12B3
Part Number: 19031856A **SPEC Number:** 26012815A Jan, 30, 2012

Mechanical Drawing:



Motor:

Nominal Voltage	= 12 Vdc
Operating Voltage Range	= 6 - 14 Vdc
Nominal Running Current	= 3.00 Amps
Max. Locked Rotor Current	= 5.00 Amps
Running Power	= 36.0 Watts
Average Speed	= 3400 RPM
Bearings	= Ball
Air Flow	= 300 CFM
Acoustic	= 57.1 dBA

Construction:

Venturi: Single piece diecast aluminum, black.
 Propeller: Injection molded of flame retardant polycarbonate, UL94V-0 rated, black.

Life Expectancy:

This fan is designed for continuous duty life of 76,000 hours at 40°C.

Additional Features:

Brushless DC Motor
 Electronic Locked Rotor Protection
 Reverse Polarity Protection
 Automatic Restart Capability
 Operating Temperature Range: -10°C to 70°C
 Storage Temperature Range: -40°C to 85°C

Termination:

12.0" Lead wires, 22AWG, UL 1061 Style
 Red = Fan Power
 Black = Fan Return

Agency Approvals:

UL, CUL