

# SPECIFICATIONS

(RoHS Compliant)

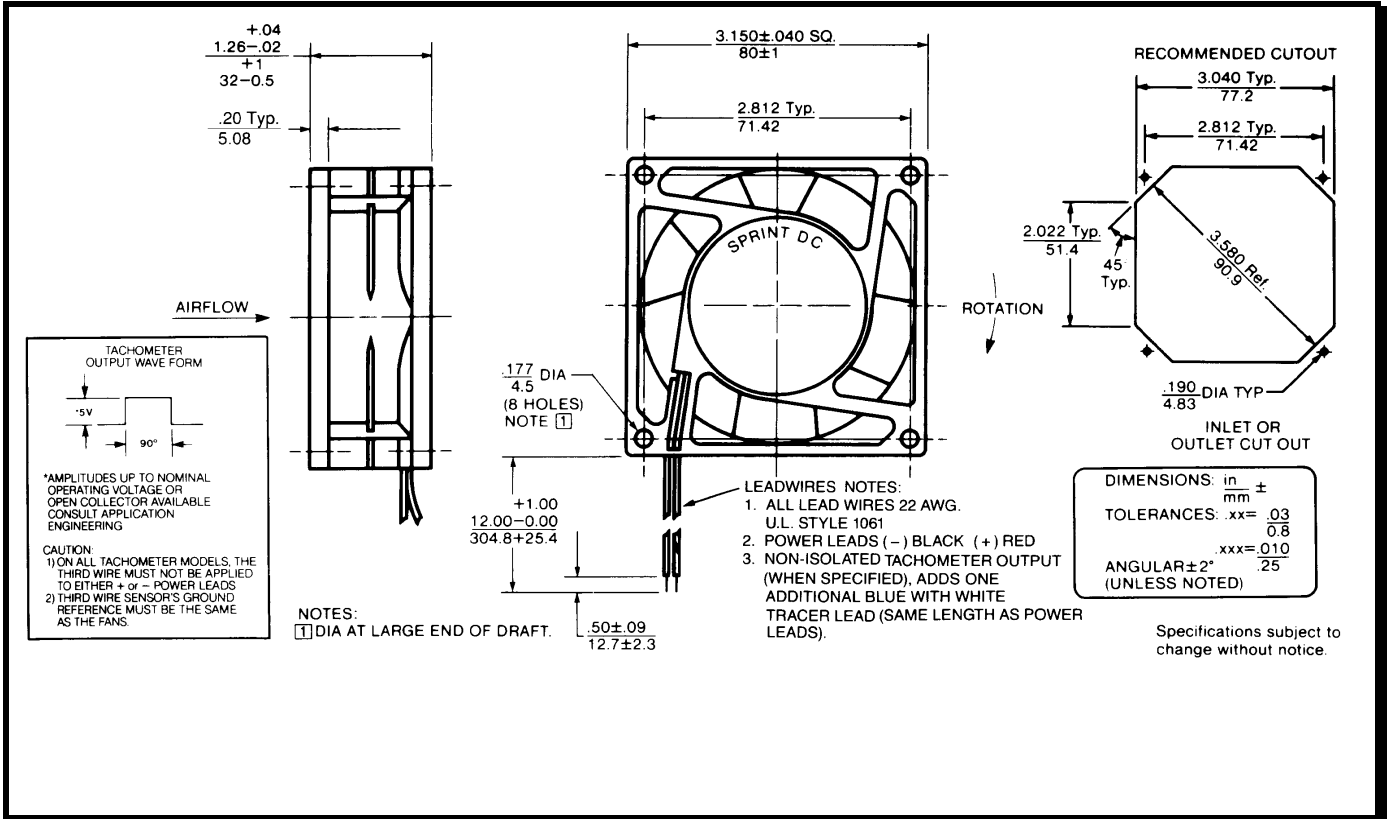


**Model Number** ST24B3  
**Part Number:** 19030616A

**SPEC:** 26013313A01

Jan.01.2013

## Mechanical Drawing:



### Motor:

Nominal Voltage = 24 vdc  
 Operating Voltage Range = 12 - 28 vdc  
 Nominal Running Current = .140 amps  
 Max. Locked Rotor Current = .400 amps  
 Running Power = 3.4 watts  
 Average Speed = 3400 RPM  
 Bearings = Ball  
 Air Flow = 33 CFM  
 Acoustic = 40.9 dBA

### Construction:

Venturi: Plastic, Black, UL 94V-0.  
 Propeller: Polypropylene, Black, UL 94V-0

### Life Expectancy:

This fan is designed for continuous duty life of 78,000 hours at 40°C.

### Additional Features:

Brushless DC Motor  
 Electronic Locked Rotor Protection  
 Polarity Protected  
 Automatic Restart Capability  
 Operating Temperature: -10°C to 70°C  
 Storage Temperature: -40°C to 85°C

### Termination:

12" Lead wires, AWG 22, UL 1061  
 Red = Power (+)  
 Black = Return (-)

### Agency Approvals:

UL, CSA, TUV, CE