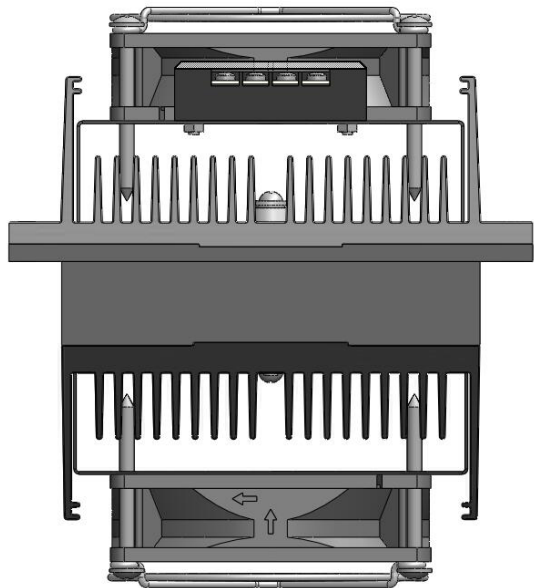
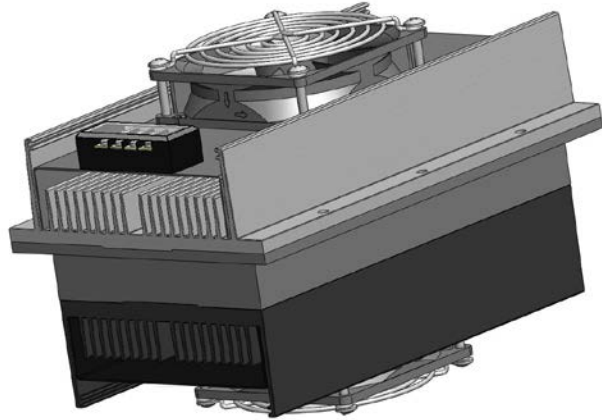
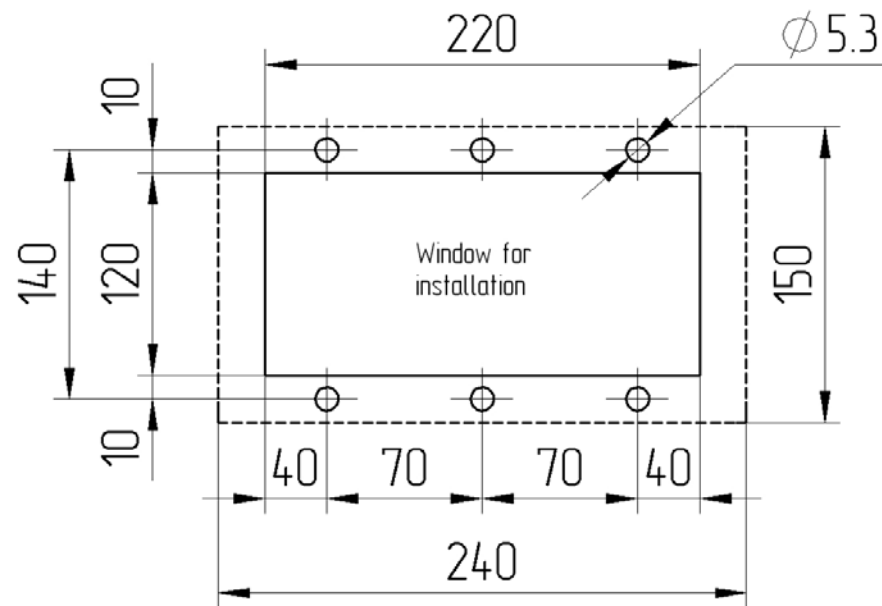
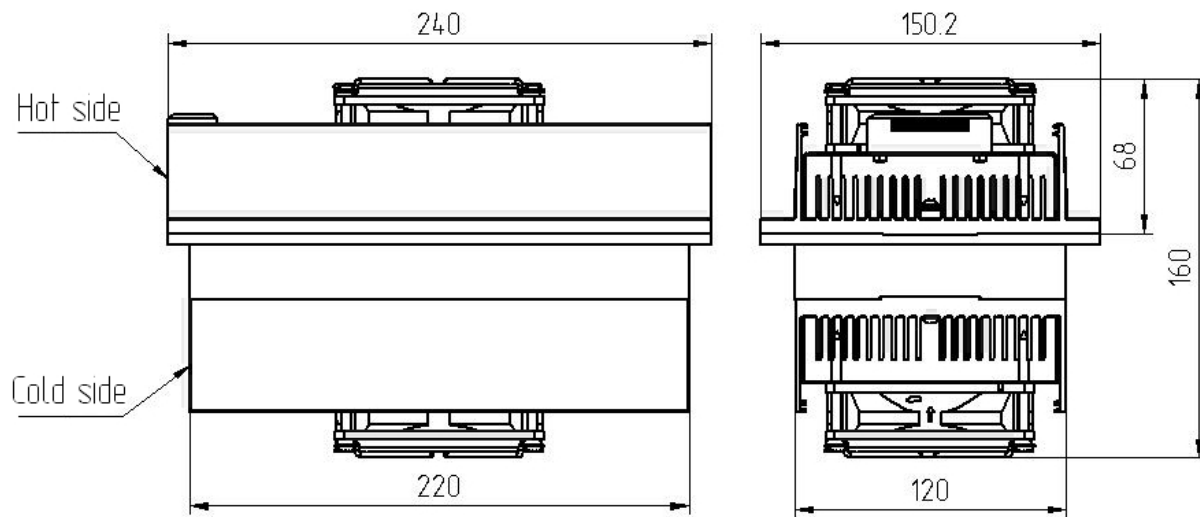


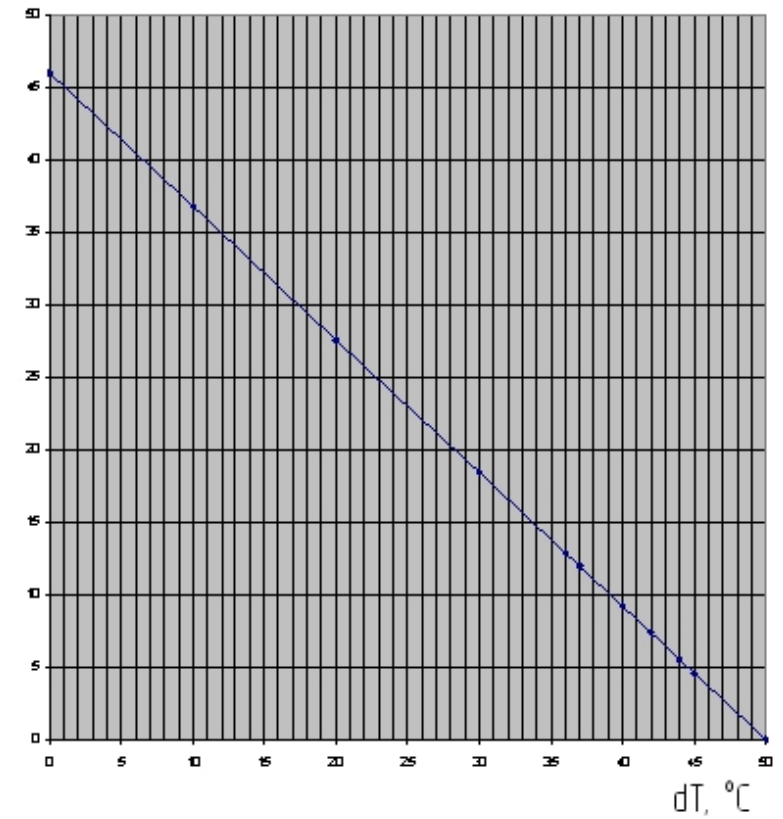
SPECIFICATION OF THERMOELECTRIC COOLING ASSEMBLY 60-12-AA


<i>Thermoelectric parameters</i>	<i>Unit</i>	<i>Value</i>
Operating voltage (U)	Volts	12
Operating current (I)	Amps	9
Electric power (P)	Watts	108
Operating cooling power (Qc)	Watts	46
Max. cooling power	Watts	60
Tolerance	%	±10

<i>Operation parameters</i>	<i>Unit</i>	<i>Value</i>
Working temperature range	°C	-30 ÷ +70
Noise level	dBA	36
Net weight	kg	2.8



Q_c , watts



Distributor



ams TECHNOLOGIES
where technologies meet solutions

info@amstechnologies.com
www.amstechnologies-webshop.com

Contact us 