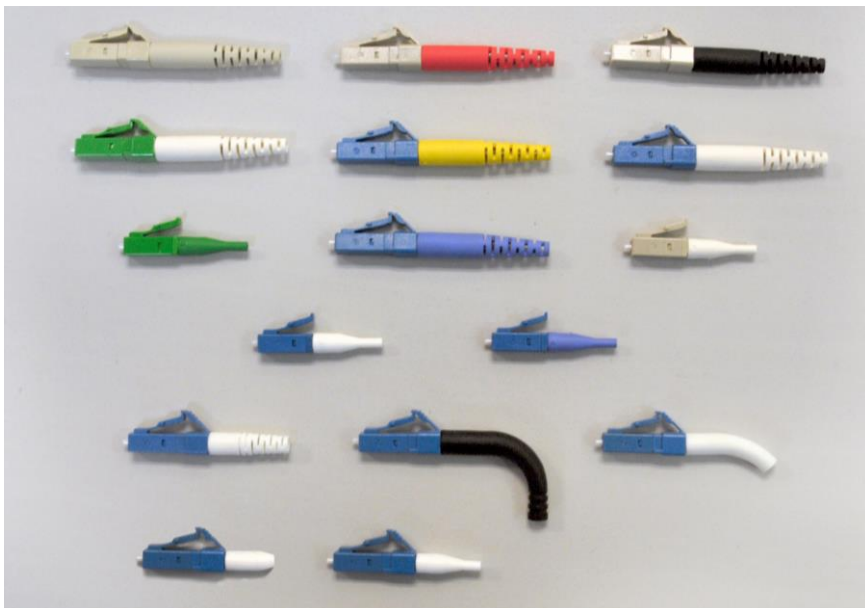


LC Simplex Connector Kit Crimp Type



T E C H N I C A L S P E C I F I C A T I O N



G E N E R A L

This specification covers the LC Simplex Connector Kit Crimp Type for singlemode and multimode applications according IEC 61754-20 and TIA-604-10-B.

M O D E L S A V A I L A B L E

The LC Simplex Connector Crimp Type is available with the following crimps, boots sizes and colours:

Cable Diameter	900 µm	1.6 mm	2.0 mm Slotted	2.5 mm	3.0 mm Slotted
Boot	White, Blue, and Green	2mm Boot	White, Blue, Red, Black, Yellow, Beige and Green.	3mm Boot	White, Blue, Red, Black, Yellow and Beige.
Crimp	---	Available	Available	Available	Available

Special Boots

Cable Diameter	900 µm	1.6 mm	2.0 mm	2.5 mm	3.0 mm
40 mm LC total length short Boot	---	3mm Boot	3mm Boot	3mm Boot	White
35 mm LC total length short Boot	---	2mm Boot	White, Black	---	---
45° Boot	---	2.5mm Boot	2.5mm Boot	White	---
90° Boot	---	2mm Boot	Black	3mm Boot	Black
Boot for Ø 900 µm buffer for double clip connector	White	---	---	---	---

Optoplast LC Simplex connectors are supplied as standard in the following configurations:

	Housing	Boot
Singlemode PC	Blue – RAL 5015	White
Singlemode APC	Green – RAL 6023	White; Green for 900 µm buffer
Multimode	Beige – RAL 1013	Beige
Multimode OM3 - OM4 On Request	Aqua – RAL 6027	Black; White for 900 µm buffer

All the above connectors are available multi-piece or preassembled 1-piece.

Availability of special dust caps:

- Dust Cap with Latch for 2 and 3 mm cables;
- Total Cover Dust Cap.

Other boot colours are available on request.

Available ferrules: refer to Spec. N° FR-1.25-01-001.

M E C H A N I C A L C H A R A C T E R I S T I C S

Mating Durability	>500 connections	IEC61300-2-2
Cable Retention	100 N, 120s	IEC61300-2-4
900 µm Buffer Retention	5 N, 60s	IEC61300-2-4
Vibration	10 – 55 Hz , 1 octave / min. 3 axis of 15 cycles , 0.5h/axis amplitude 0.75mm	IEC61300-2-1
Repeated Bending Cable	100 cycles -90°/0°/+90°/0° Load = 5N	IEC61300-2-44
Repeated Bending 900 µm Buffer	100 cycles -90°/0°/+90°/0° Load = 0.2N	IEC61300-2-44
Cable Torsion	1.5kg -2.5kg for 2mm-3mm cable diameter	IEC60794-2-5
Drop	1.5m , 5 times	IEC61300-2-12
Static Side Load	1N , 1h	IEC61300-2-42
Static Side Load 900 µm Buffer	0.2N , 5min	IEC61300-2-42
Cold	-25°C , 96h	IEC61300-2-17
Dry Heat	+70°C , 96h	IEC61300-2-18
Change of temperature	-25°C to +70°C , 12 cycles	IEC61300-2-22

P A C K A G I N G

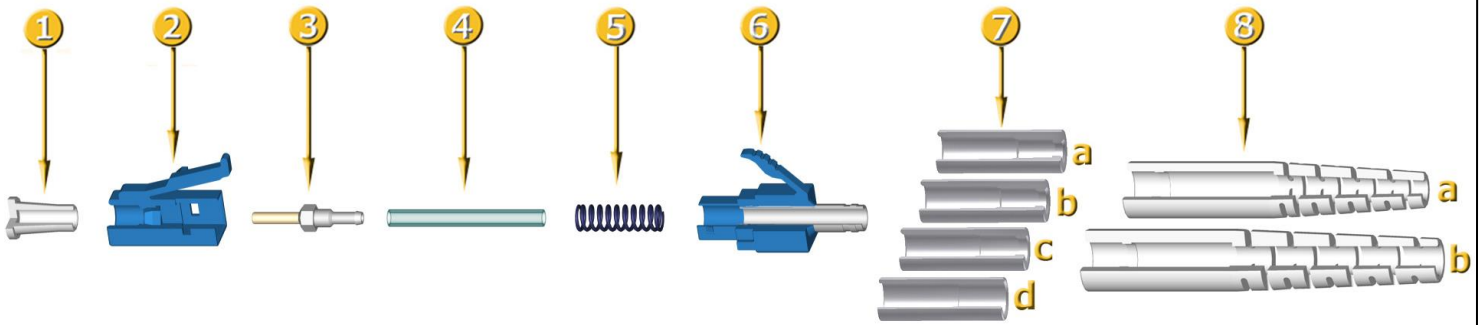
Each separate components of the LC crimp type connector is packed as standard in transparent plastic bags of 500 pieces.

There is no logo nor any company marking on the bags.

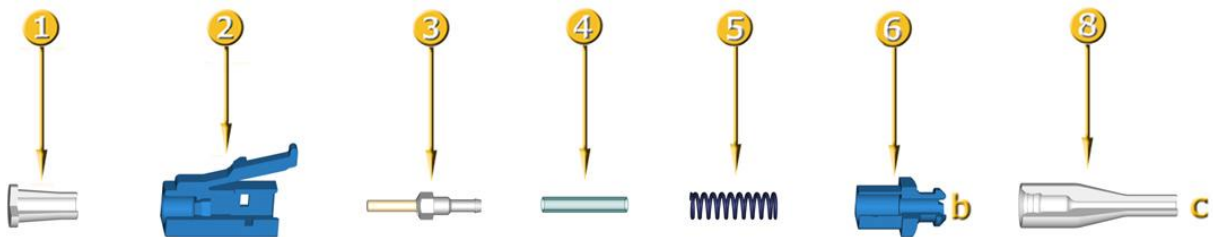
The ferrules are packed in blister of 100 or 200 pieces each.

Customized packaging and labelling solutions are available on request.

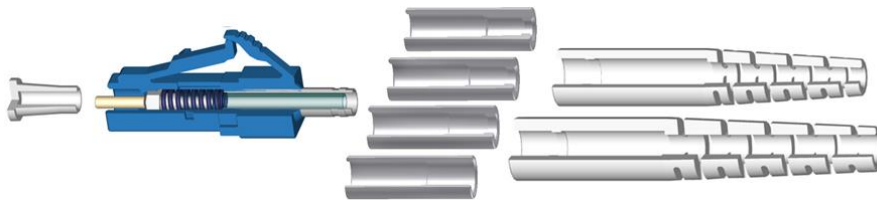
LC Simplex Crimp Type Connector Multipiece for \varnothing 1,6 - 2 - 2,5 - 3 mm cables



LC Simplex Connector Multipiece for \varnothing 900 μ m buffer



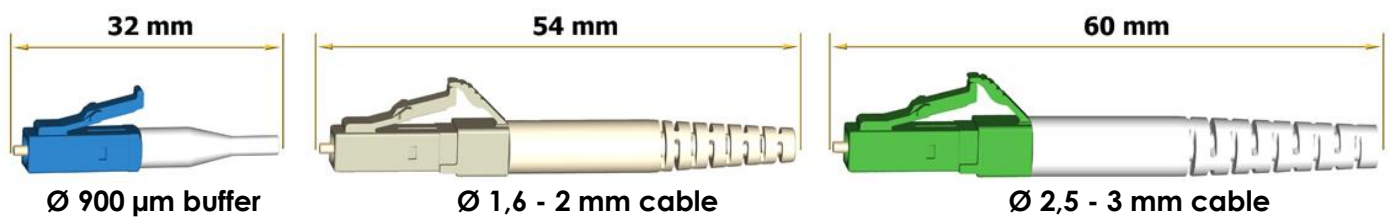
LC Simplex Crimp Type Connector 1-Piece for \varnothing 1,6 - 2 - 2,5 - 3 mm cables



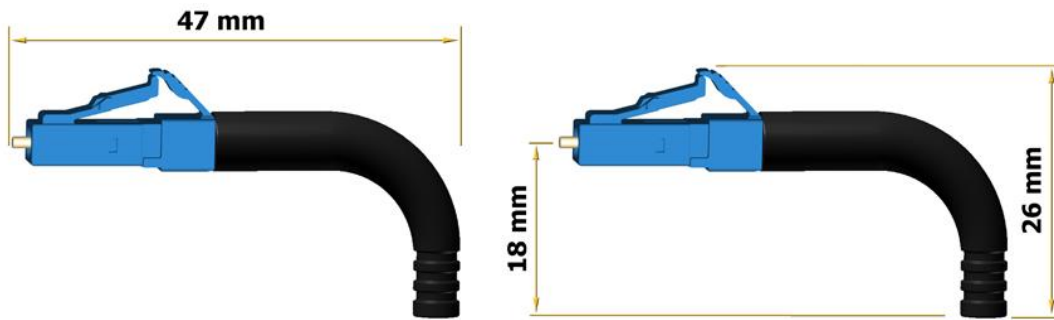
LC Simplex Connector 1-Piece for \varnothing 900 μ m buffer



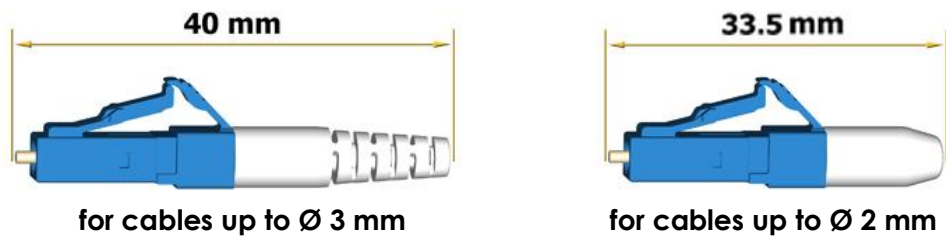
LC Simplex Crimp Type Connector Overall Dimensions



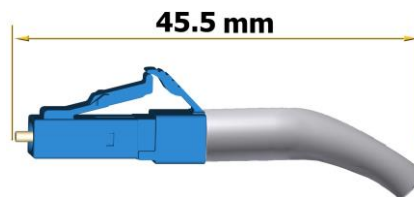
LC Simplex Crimp Type Connector with 90° Black Boot for Ø 2 - 3 mm cables



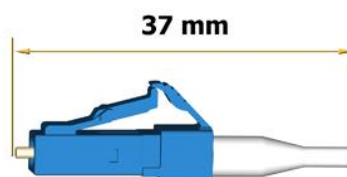
LC Simplex Crimp Type Connector with Short Boots



LC Simplex Crimp Type Connector with 45° White Boot for cables up to Ø 2.5 mm



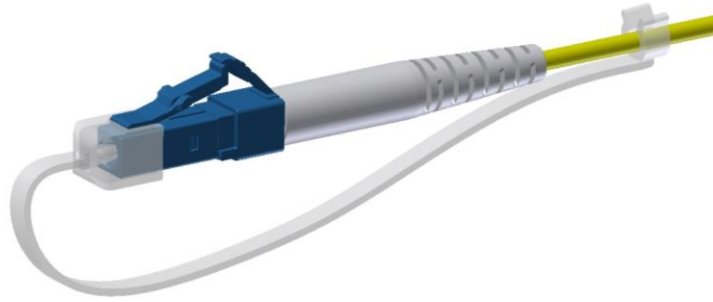
LC Simplex Connector White Boot for Ø 900 µm buffer for double clip connector



LC Simplex Connector Total Cover Dust Cap



LC Simplex Connector Dust Cap with Latch



C O M P O N E N T S A N D M A T E R I A L S

N°	Component	Material	N°	Component	Material
1	Dust Cap	PP	7.a	Crimp Tube for Cable Ø 1.6 mm	Aluminium
2	Front Body	PEI UL94V-0	7.b	Crimp Tube for Cable Ø 2 mm	Nickel Plated Zinc Alloy
3	Ferrule with flange	Zirconia + Steel	7.c	Crimp Tube for Cable Ø 2.5 mm	Nickel Plated Zinc Alloy
4	Tube	PTFE	7.d	Crimp Tube for Cable Ø 3 mm	Nickel Plated Zinc Alloy
5	Spring	Stainless Steel	8.a	Boot for Cable Ø 1.6 - 2 mm	Polymer
6.a	Rear Body	PEI UL94V-0 + Aluminium Alloy	8.b	Boot for Cable Ø 2.5 - 3.0 mm	Polymer
6.b	Rear Body for Ø 900 µm Buffer	PEI UL94V-0	8	Boot for Buffer Ø 900 µm	Polymer
Special Component	Material	Special Component	Material		
Total Cover Dust Cap	PC	90° Boot for Cable Ø 2 - 3 mm	Polymer		
Dust Cap With Latch	PP	40mm Short Boot for cables up to Ø 3 mm	Polymer		
		35mm Short Boot for cables up to Ø 2 mm	Polymer		
		45° Boot for cables up to Ø 2.5 mm	Polymer		
		Boot for Ø 900 µm buffer for double clip connector	Polymer		

All components of the connector are RoHS and REACH compliant.

The connector plastic parts are UL94.V0 except for the boots and the dust caps that are UL94.V1

E N D O F S P E C I F I C A T I O N