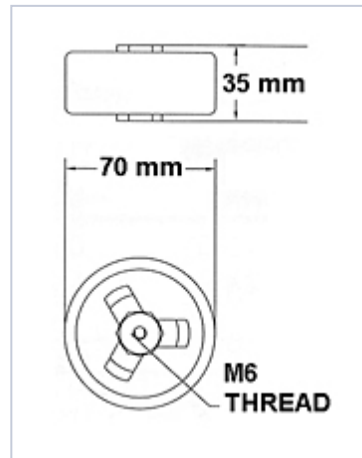
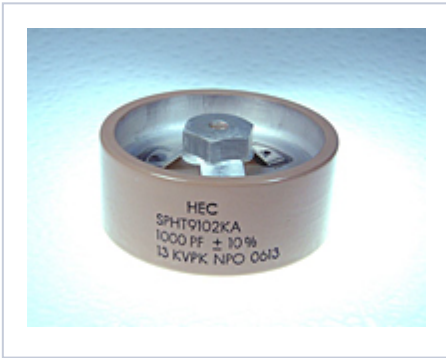


SPHT 70 mm Diameter Power Disk Ceramic Capacitors

- Up to 30 kV_{DC} Working Voltage
- Up to 90 kVA Power Rating
- 50 to 7000 pF Capacitance
- 70, 100, 140 and 165 mm Diameters
- Choice of four Class I TC's



1

<u>Part Number</u>	<u>CAP</u>	<u>Dielectric (TC)</u>	<u>V_{MAX} (DC)</u>	<u>f_L</u>	<u>S_{MAX}</u>	<u>f_H</u>	<u>I_{MAX} (RMS)</u>
<u>SPHT9500MA</u>	50 pF	NP0	14 kV	0.649 MHz	20 kV·A	40.7 MHz	16 A
<u>SPHT9101MA</u>	100 pF	NP0	14 kV	0.325 MHz	20 kV·A	20.4 MHz	16 A
<u>SPHT9161MA</u>	160 pF	NP0	13 kV	0.235 MHz	20 kV·A	12.7 MHz	16 A
<u>SPHT9201MA</u>	200 pF	N750	14 kV	0.162 MHz	20 kV·A	10.2 MHz	16 A
<u>SPHT9501MA</u>	500 pF	N750	13 kV	0.0753 MHz	20 kV·A	4.07 MHz	16 A
<u>SPHT9102MA</u>	1000 pF	N750	11 kV	0.0526 MHz	20 kV·A	2.03 MHz	16 A
<u>SPHT70MM CUSTOM</u>	50 to 1000 pF	N/A	N/A	N/A	20 kV·A	N/A	N/A

1