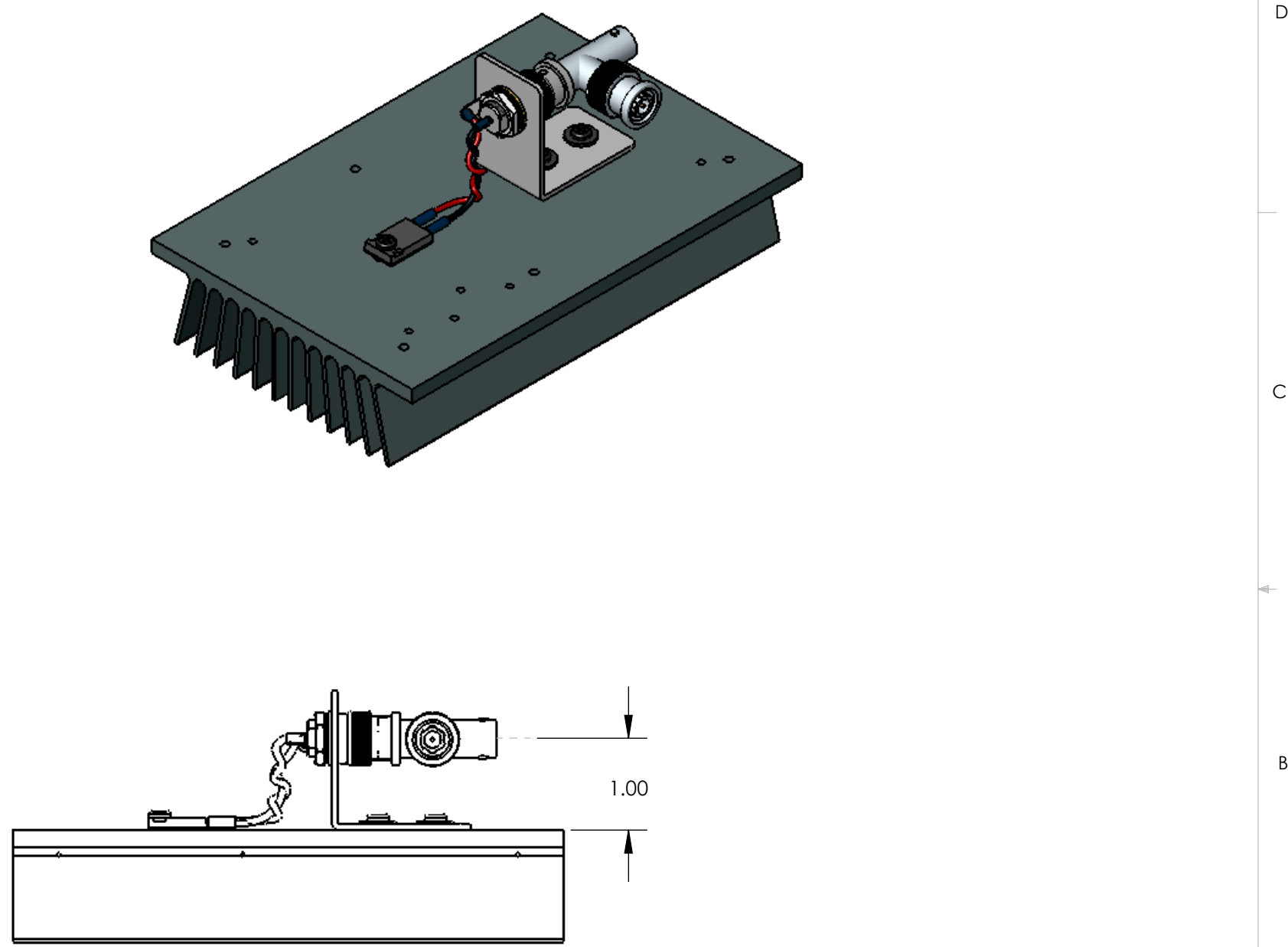
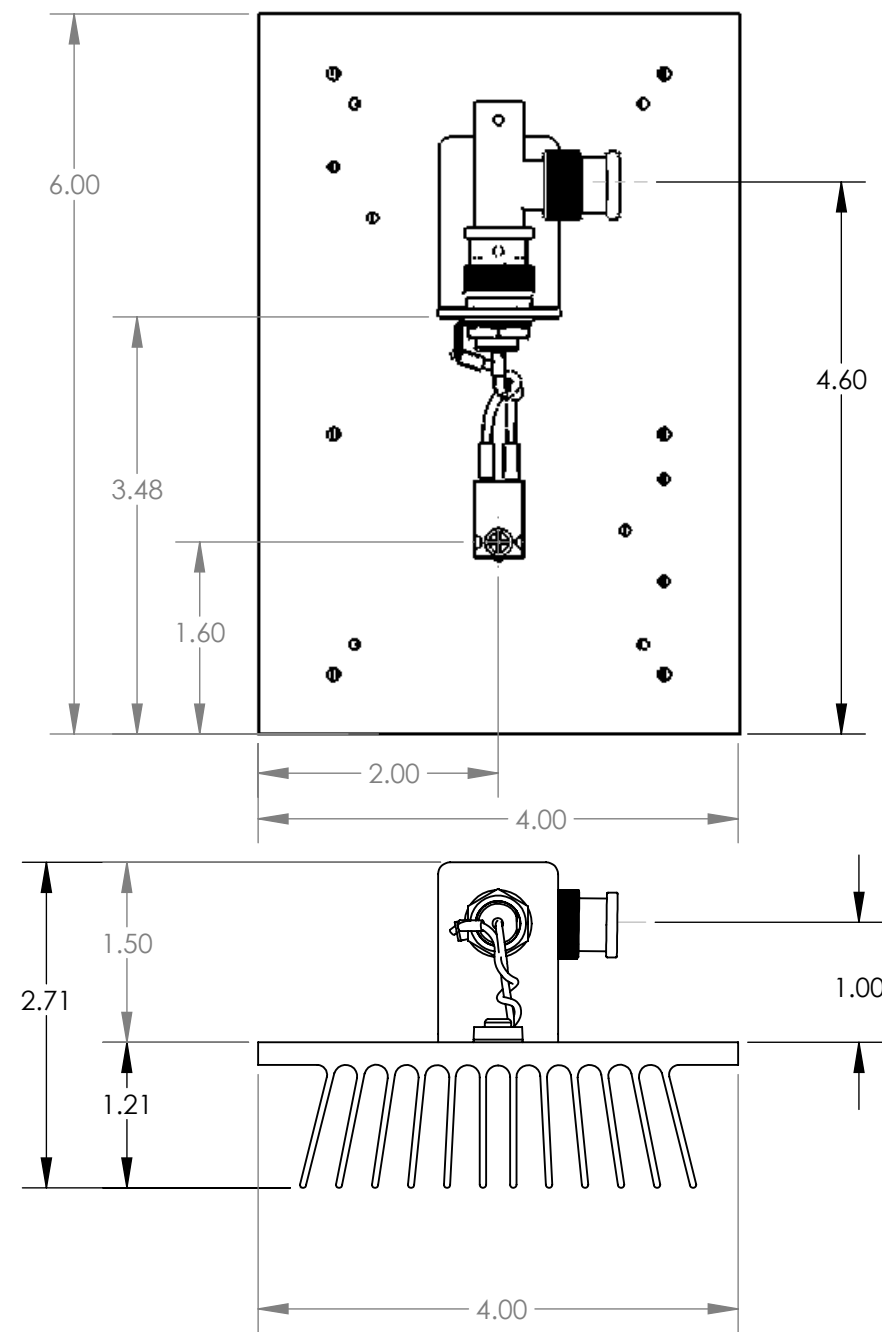


REVISIONS			
REV.	DESCRIPTION	DATE	APPROVED
-			

D
C
B
A



D
C
B
A

UNLESS OTHERWISE SPECIFIED
DIMENSIONS ARE IN INCHES
TOLERANCES

1 PL DECIMALS ± .1	APPROVALS	
2 PL DECIMALS ± .01	SIGNATURES	DATE
3 PL DECIMALS ± .005	ORIGINATOR G. NIEBEL	11-3-14
ANGLES ± 1°	ENGINEERING	
FRACTIONS ± 1/64TH	CHECKED	
	APPROVED	
	APPROVED	

THIRD ANGLE PROJECTION

THIS DRAWING AND INFORMATION CONTAINED THEREIN ARE THE PROPERTY OF WAVELENGTH ELECTRONICS, INC. (WEI). BY ACCEPTING THIS INFORMATION, THE BORROWER AGREES THAT IT WILL NOT BE USED FOR ANY PURPOSE OTHER THAN FOR WHICH IT WAS LOANED. IF THE BORROWER OF THIS DOCUMENT HAS NOT SIGNED A CONFIDENTIALITY AGREEMENT WITH WEI, THEN HE/SHE MUST REPORT THIS FACT TO WEI.

Wavelength Electronics™
P.O. Box 865 Bozeman, Montana 59771
Phone: (406) 587-4183
Fax: (406)-587-4911

TITLE: **QCTL-1500**

SIZE **B** DWG (PRR) NO. :
SCALE: 1:1

REV **A**
SHEET 1 OF 1

