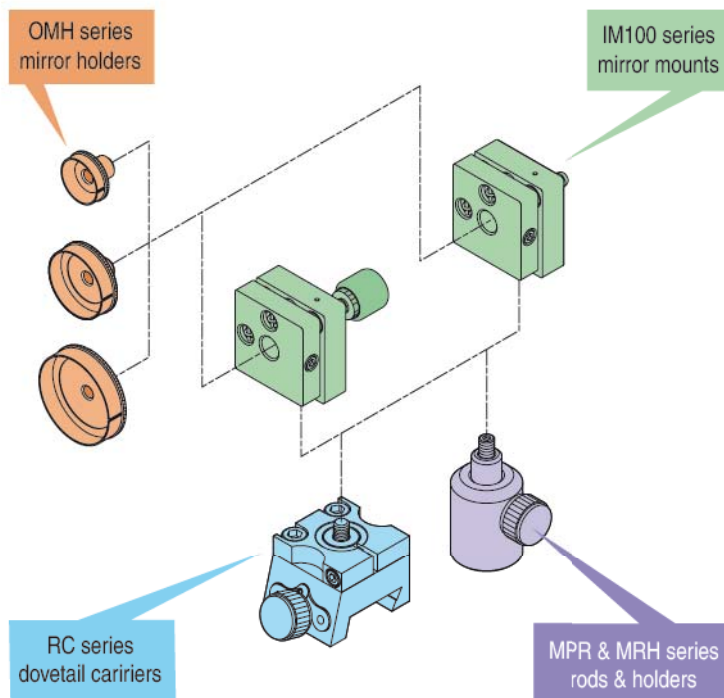
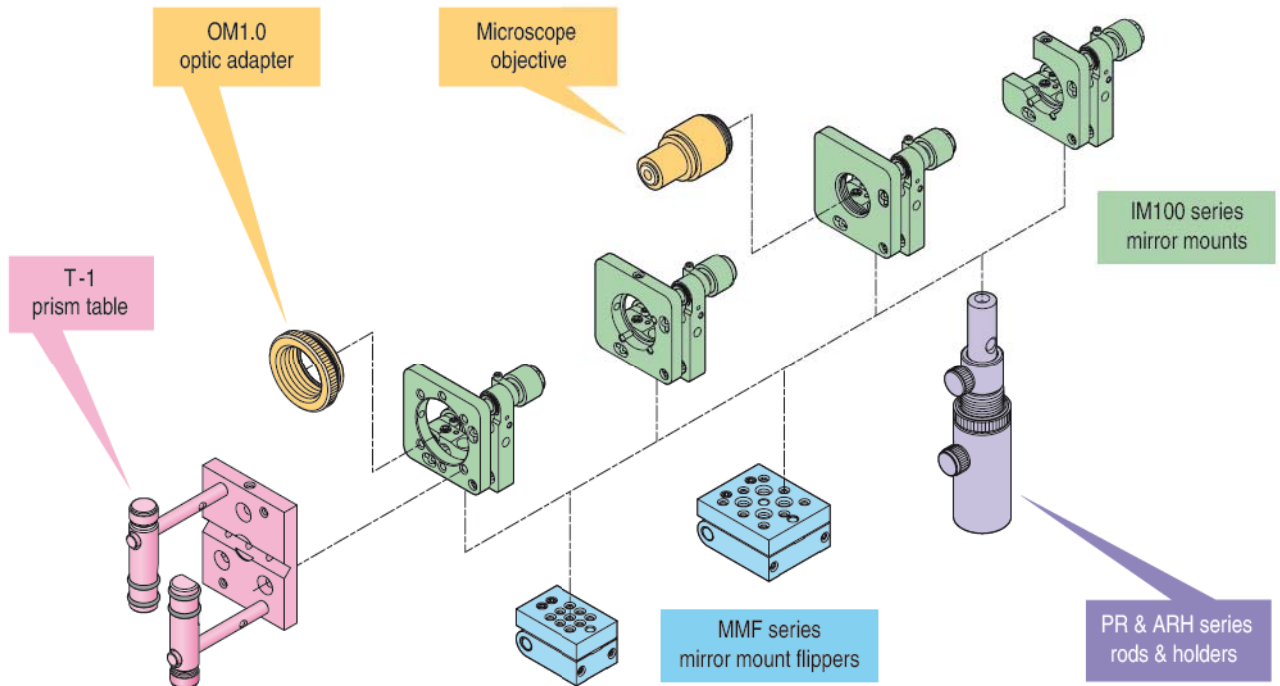


Mirror Mounts

Applications



The product trees shown here are only a sampling of the modularity of our Photonics product line. The examples display some of the various optics mounts, precision rods and holders, mirror mount flippers and dovetail carriers that are compatible with our research and industrial mirror mounts.

The Minimum Controllable Motion (MCM) Reference Chart is a summary of the angular travel range and resolution for our most common mirror mounts. This chart facilitates comparisons among the various models. Travel ranges are mechanically accurate to the mount, and the MCM is calculated for a rotation of one degree. Since these are all manually adjusted, the minimum controllable motion is an approximation and should only be used as a reference point.

Model	Travel Pitch / Yaw	MCM Pitch / Yaw
CVM100	7° / 6°	4.6 / 3.6 arc sec
IAG100	8°	8.0 arc sec
IAG200	8°	4.7 arc sec
IM05 Series	10°	8.6 arc sec
IM100 Series	8°	3.8 arc sec
IM100-LPA	8°	3.8 arc sec
IM100-T/B	8°	3.8 arc sec
IM100.1H	10°	8.3 arc sec
IM200 Series	8°	2.5 arc sec
IVM100.5 (K)	8°	7.9 arc sec
IVM100 (K)	8°	3.8 arc sec
IVM200 (K)	8°	2.3 arc sec
IXF.50 Series	6°	8.2 arc sec
IXF.75 Series	6°	5.5 arc sec
IXF1.0 Series	5°	4.5 arc sec
IXM100 Series	8°	3.8 arc sec
IXM200 Series	8°	2.5 arc sec
OGX-1.0	7°	8.1 / 5.4 arc sec
OGX-2.0	6° / 7°	6.0 / 5.3 arc sec
RM80-1H	10°	10.4 arc sec
RM80-0.5H	16°	22.8 arc sec
RM80-0.75H	11°	14.8 arc sec



Mirror Mounts

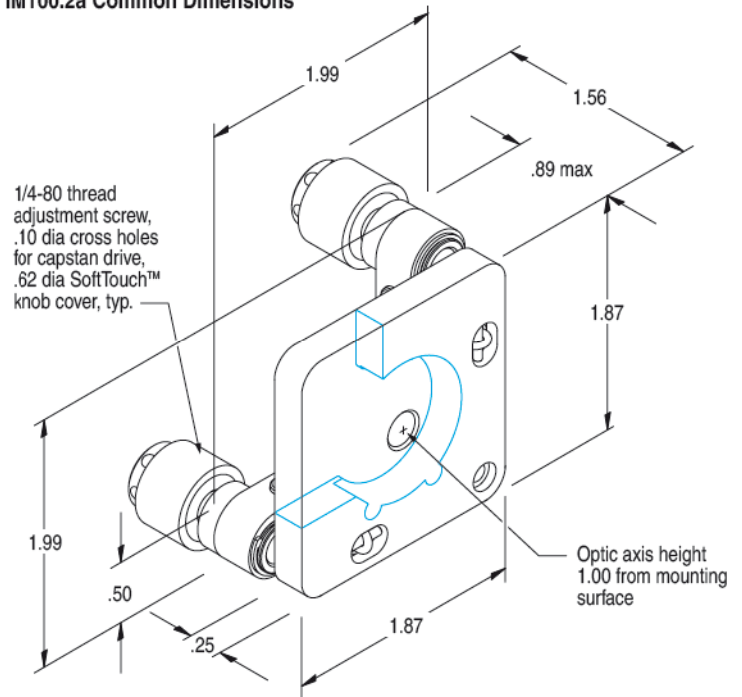
Mirror Mounts

Economy	
1.0" Optic, 2 Axis	200
2.0" Optic, 2 Axis	202
Industrial Grade	
0.5" Optic, 2 & 3 Axis	204
1.0" Optic, 2 Axis	206
1.0" Optic, 3 Axis	208
2.0" Optic, 2 Axis	210
2.0" Optic, 3 Axis	212
Horizontal Adapter	222
Laser Periscope Assembly	228
45° Adapters	229
eXtreme Grade	
1.0" Optic, 2 Axis	214
1.0" Optic, 3 Axis	216
2.0" Optic, 2 Axis	218
2.0" Optic, 3 Axis	220
Top Adjusted	
0.5" to 2.0" Optic	224
1.0" Optic, Compact Vertical Mount	226
1.0" and 2.0" Optic, Beamsplitter	227
Miniature	
0.25" Optic	231
0.5", 0.75" & 1.0" Optic	232–233
Shutter	250
Flexure Mounts	
Flexure Mounts, 0.5" to 1.0" Optic	235
Top Adjustable, 0.5" to 1.0" Optic	237
Beamsplitter, 0.5" to 1.0" Optic	238
Flexure Mounts, 2.0" Optics	240
Grating	244
Single Axis	245
Hardware	
Mounting Blocks	242
Angle Brackets	246
Mirror Holders & Adapter	247
Optic Mounts	248
Miniature Shutter	250
Prism Table Adapter	251
Mirror Mount Flipper	252



IM100.2a Series

IM100.2a Common Dimensions



Product Features

- 80TPI adjustment screws
- Color coded axis knobs
- Good value

Performance Specifications

Travel / axis	8°
Minimum controllable motion	3.8 arc sec.

Related Products

PR precision rods	132
IM100.H horizontal adapter	222
T-1 prism clamp	251
OMH series & OM1.0 optic mounts	247
SF spatial filter objective	291
cross-reference table	302

Order Information

economy mount, 80TPI, platform	IM100.P2a
economy mount, 80TPI, microscope objective	IM100.M2a
economy mount, 80TPI, 1.0" optic	IM100.A2a
economy mount, 80TPI, 1.25" through aperture	IM100.T2a
economy mount, 80TPI, 1.0" optic cutaway, right hand side	IM100.C2a
economy mount, 80TPI, 1.0" optic cutaway, left hand side	IM100.C2La

Economy Mounts

These economy grade kinematic optic mounts offer exceptional performance with a wide variety of flexible options. Our IM100 series mounts use precision rolled 80TPI adjustment screws for excellent resolution and feel in the hand. The solid 3/8-inch thick aluminum backplate offers two 8-32 [M4] mounting options for right or left hand compatibility.

Our IM100 series mounts use a full "L" cutaway back for maximum clear aperture. Within the backplate we use precision-rolled 80TPI adjustment screws with hardened steel balls that run on carbide pads to provide stable movement. The 80TPI adjustment screws run in "full-hard" brass bushings which are individually matched to ensure the best fit in the industry.

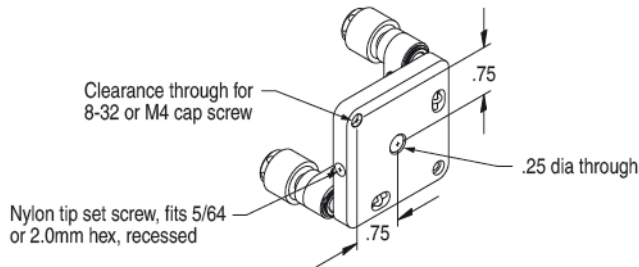
All models use our SoftTouch™ color coded knob caps for easy axis identification in low light conditions.

Mirror Mounts

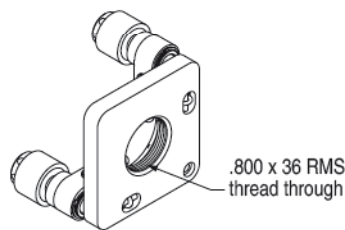
Economy Mounts

1-inch Optic

2-axis / IM100 Series



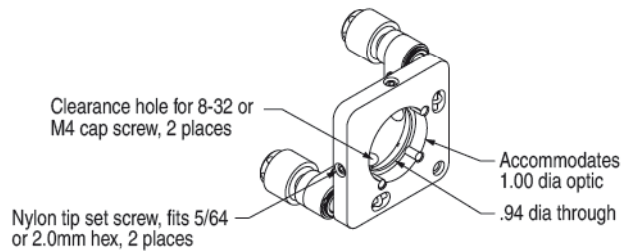
IM100.P2a



SF Objective



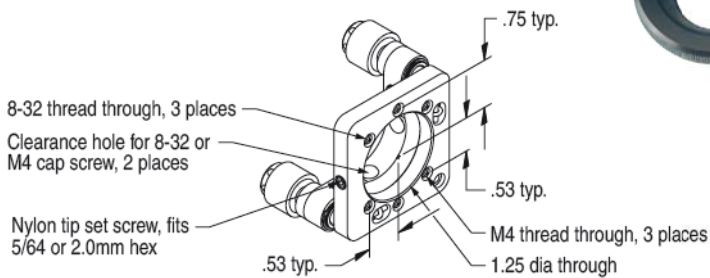
IM100.M2a



OM1.0

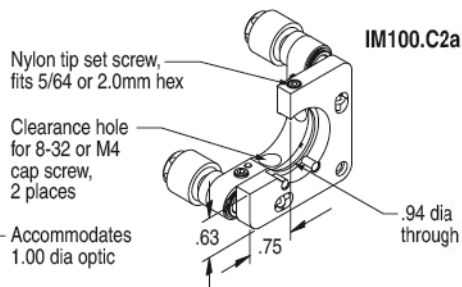
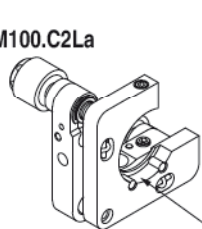


IM100.A2a



IM100.T2a

IM100.C2La

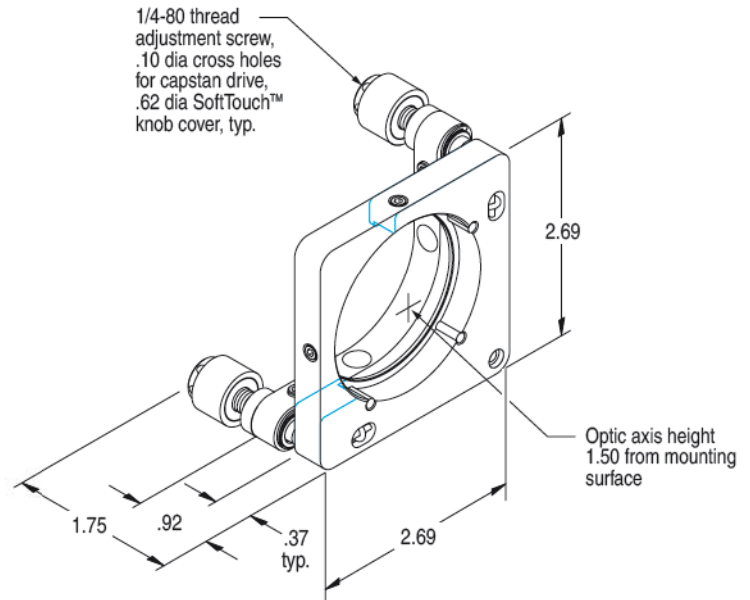


IM100.C2a



IM200.2a Series

IM200.2a Common Dimensions



Product Features

- 80TPI adjustment screws
- Color coded axis knobs
- Good value

Performance Specifications

Travel / axis	8°
Minimum controllable motion	2.5 arc sec.

Related Products

PR precision rods	132
cross-reference table	302

Order Information

economy mount, 80TPI, 2.0" optic	IM200.A2a
economy mount, 80TPI, 2.0" optic cutaway, right hand side	IM200.C2a
economy mount, 80TPI, 2.0" optic cutaway, left hand side	IM200.C2La

Economy Mounts

These economy grade kinematic optic mounts offer exceptional performance with a wide variety of flexible options. Our IM200 series mounts use precision rolled 80TPI adjustment screws for excellent resolution and feel in the hand. The solid 3/8-inch thick aluminum backplate offers two 8-32 [M4] mounting options for right or left hand compatibility.

Our IM200 series mounts use a full "L" cutaway back for maximum clear aperture. Within the backplate we use precision-rolled 80TPI adjustment screws with hardened steel balls that run on carbide pads to provide stable movement. The 80TPI adjustment screws run in "full-hard" brass bushings which are individually matched to ensure the best fit in the industry.

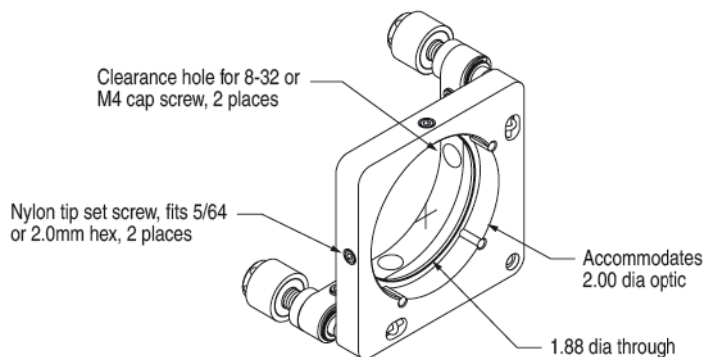
All models use our SoftTouch™ color coded knob caps for easy axis identification in low light conditions.

Mirror Mounts

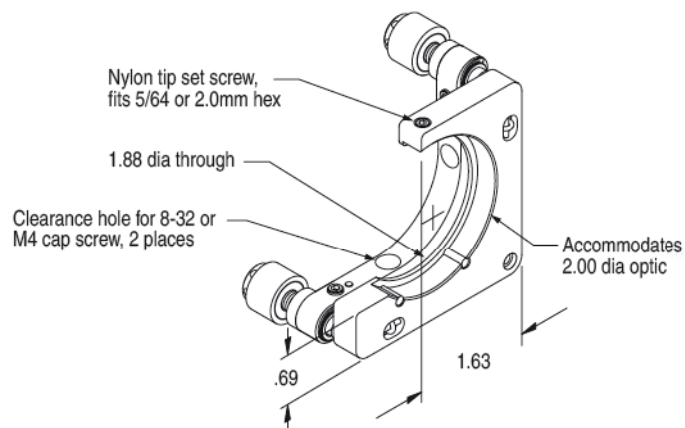
Economy Mounts

2-inch Optic

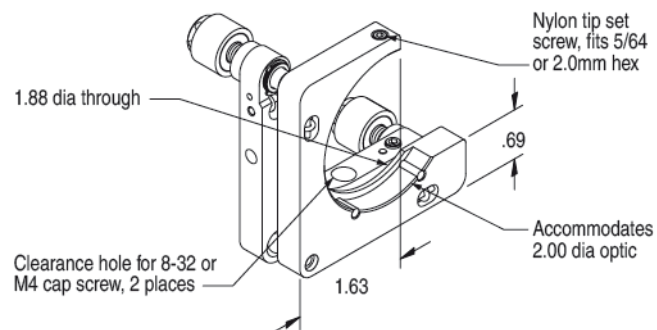
2-axis / IM200 Series



IM200.A2a



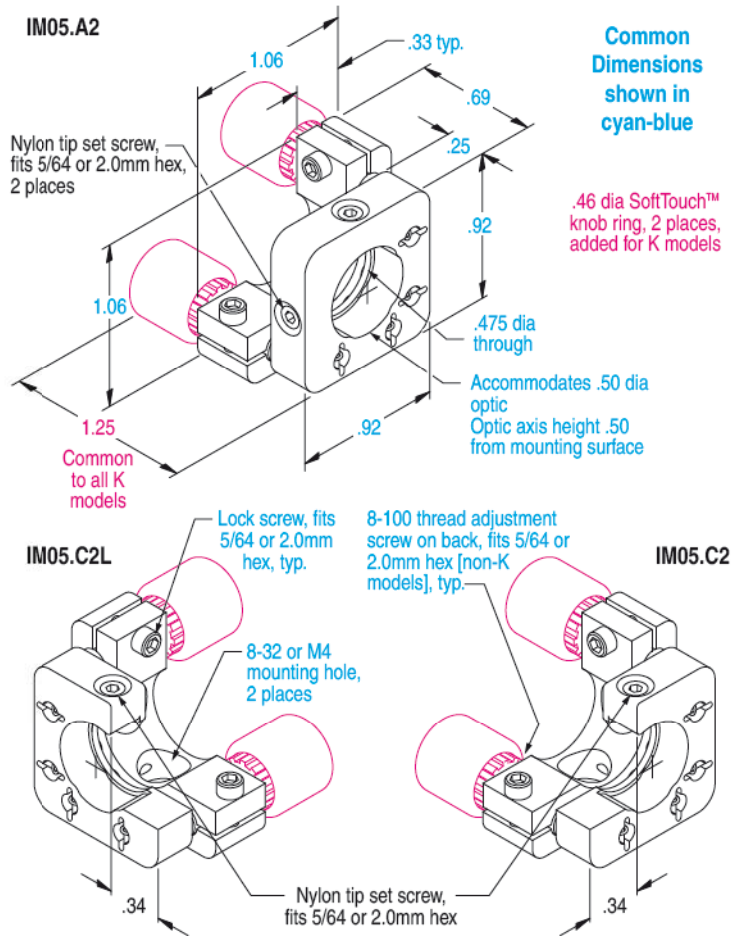
IM200.C2a



IM200.C2La



IM05.C2



Product Features

- 100 pitch lockable adjustment screws
- Right and left hand cutaway versions
- 3/8-inch thick back plate
- Vacuum compatible versions available upon request

Performance Specifications

Travel / axis	10°
Minimum controllable motion	8.6 arc sec.

Related Products

PR precision rods	132
RTC series clamps	132, 136

Order Information

industrial mount, 100TPI, 0.5 inch optic	IM05.A2
industrial mount, 100TPI, 0.5 inch optic cutaway, right hand side	IM05.C2
industrial mount, 100TPI, 0.5 inch optic cutaway, left hand side	IM05.C2L

Knob Option — for SoftTouch™ knob features on this product, add 'K' after Model Number.

Industrial Grade, 2-axis

These industrial grade kinematic optic mounts offer exceptional performance with a wide variety of flexible options. Our IM05.2 series mounts use precision rolled 100TPI adjustment screws for excellent resolution and feel in the hand. The solid 3/8-inch thick aluminum back plate offers two 8-32 [M4] mounting options for right or left hand compatibility. These mounts use a full "L" cutaway back for maximum clear aperture. The IM05.C2 versions have a cutaway front face to optimize tight beam layouts, and are available in right hand or left hand versions.

Within the back plate we use our lockable 100TPI adjustment screws with hard carbide ball bearings that run on hardened rods to provide stable movement. These adjustment screws incorporate our *one wrench* design for optic mounting, adjustment and locking. The 5/64 hex adjustment screws may be replaced by SoftTouch™ knobs for finger adjustment.

Mirror Mounts

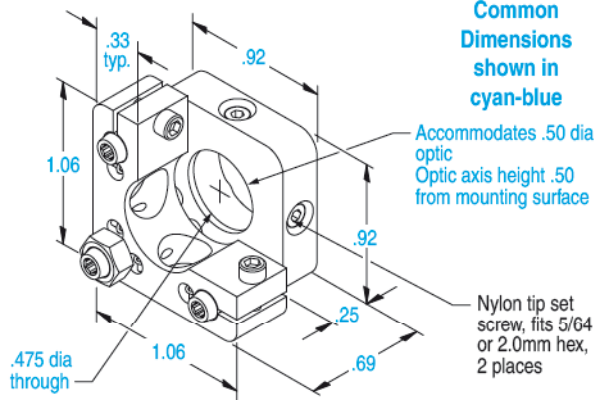
Industrial Grade

0.5-inch Optic

3-axis / IM05.3 Series

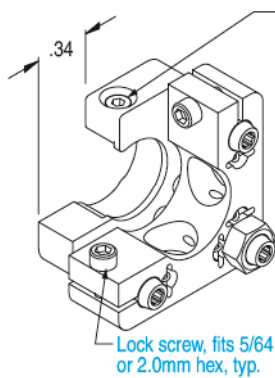


IM05.A3

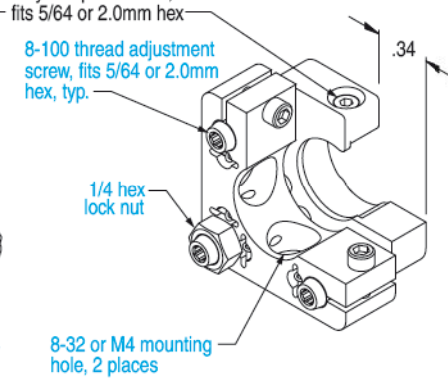


IM05.A3

IM05.C3L



IM05.C3



Industrial Grade, 3-axis

These industrial grade kinematic optic mounts offer exceptional performance with a wide variety of flexible options. Our IM05.3 series mounts use 3 precision rolled 100TPI adjustment screws with excellent resolution and feel in the hand. The 3-axis adjustment is ideal for laser cavity applications. The solid 3/8-inch thick aluminum back plate offers two 8-32 [M4] mounting options for right or left hand compatibility. These mounts use a full "L" cutaway back for maximum clear aperture. The IM05.C3 versions have a cutaway front face to optimize tight beam layouts, and are available in right hand or left hand versions.

Within the back plate we use our lockable 100TPI adjustment screws with hard carbide ball bearings that run on hardened rods to provide stable movement. Two adjustment screws incorporate our *one wrench* design for optic mounting, adjustment and locking, while the third axis requires an additional wrench. Two of the hex adjustment screws may be replaced by SoftTouch™ knobs, as shown on page 204, for finger adjustment, with the third axis retaining its 5/64 hex adjustment screw and 1/4 hex lock nut.

Product Features

- 3-axis 100 pitch lockable adjustment screws
- Right and left hand cutaway versions
- 3/8-inch thick back plate
- Vacuum compatible versions available upon request

Performance Specifications

Travel / axis	10°
Minimum controllable motion	8.6 arc sec.

Related Products

PR precision rods	132
RTC series clamps	132, 136

Order Information

industrial mount, 100TPI, 0.5 inch optic	IM05.A3
industrial mount, 100TPI, 0.5 inch optic cutaway, right hand side	IM05.C3
industrial mount, 100TPI, 0.5 inch optic cutaway, left hand side	IM05.C3L

Knob Option — for SoftTouch™ knob features on this product, add 'K' after Model Number.

Mirror Mounts

Industrial Grade

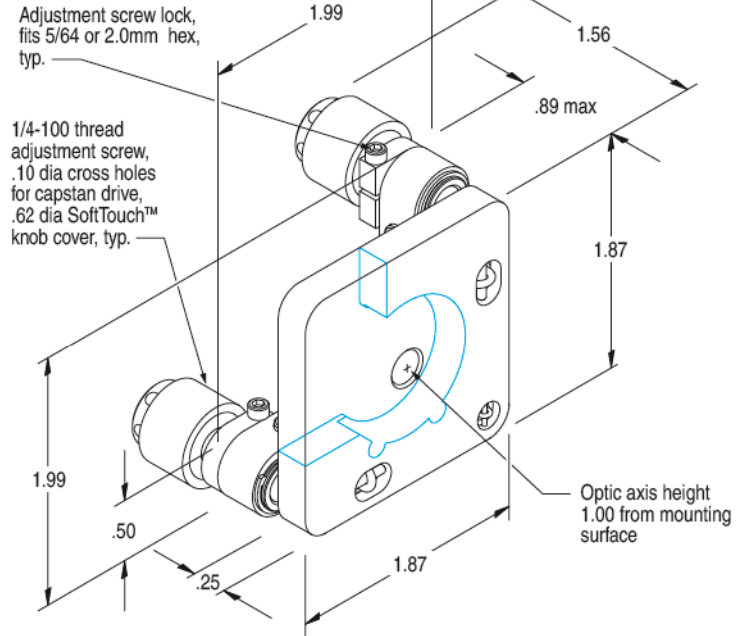
1-inch Optic

2-axis / IM100.2 Series



IM100.2 Series

IM100.2 Common Dimensions



Product Features

- 100 pitch lockable adjustment screws
- Color coded axis knobs
- Patented spring-loaded pivot point
- Vacuum compatible versions available upon request

Performance Specifications

Travel / axis	8°
Minimum controllable motion	3.8 arc sec.

Related Products

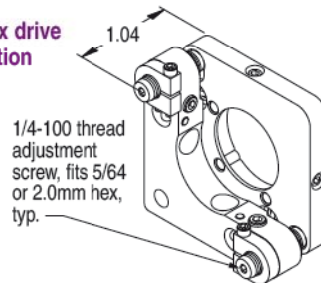
PR precision rods	132
RTC-0.5 clamp	132
IM100.H horizontal adapter	222
OMH series & OM1.0 optic mounts	247
T-1 prism clamp	251
SF spatial filter objective	291
cross-reference table	302

Order Information

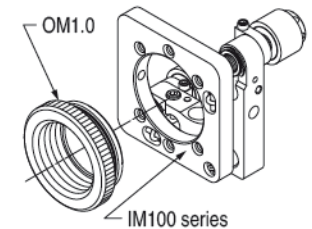
industrial mount, 100TPI, platform	IM100.P2
industrial mount, 100TPI, microscope objective	IM100.M2
industrial mount, 100TPI, 1.0" optic	IM100.A2
industrial mount, 100TPI, 1.25" through aperture	IM100.T2
industrial mount, 100TPI, 1.0" optic cutaway, right hand side	IM100.C2
industrial mount, 100TPI, 1.0" optic cutaway, left hand side	IM100.C2L

Hex Drive Option — for hex drive on this product, add '-H' after Model Number.

Hex drive option



Application



Industrial Mounts

These industrial grade kinematic optic mounts offer exceptional performance with a wide variety of flexible options. Our IM100 series mounts use precision rolled 100TPI adjustment screws for excellent resolution and feel in the hand. The solid 3/8-inch thick aluminum back plate offers two 8-32 [M4] mounting options for right or left hand compatibility. Our unique spring-loaded pivot (pat.# 6590723) ensures a stability that far exceeds other mounts.

Our IM100 series mounts use a full "L" cutaway back for maximum clear aperture. Within the back plate we use our lockable 100TPI adjustment screws with hardened steel balls that run on carbide pads to provide stable movement. These adjustment screws incorporate our *one wrench* design for capstan adjustment and locking. The unique collet design incorporates a split clamp for presetting the feel of the adjustment screw, as well as locking. If the location of the locking screw is not desirable, simply back it out and replace in the opposite side. The 100TPI collars also can be rotated in the back plate for maximum access flexibility.

All models use our SoftTouch™ color coded knob caps for easy axis identification in low light conditions.

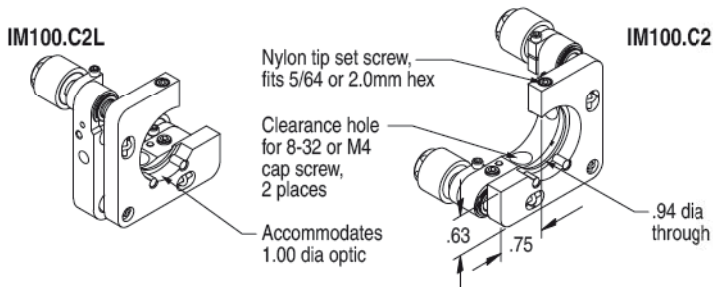
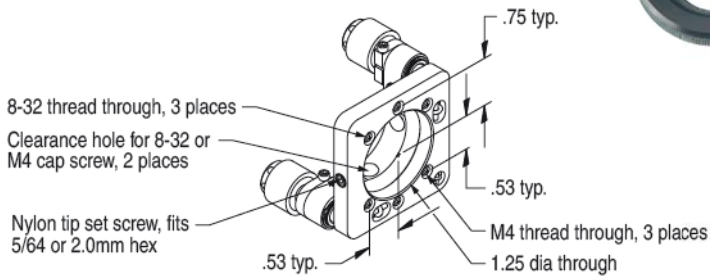
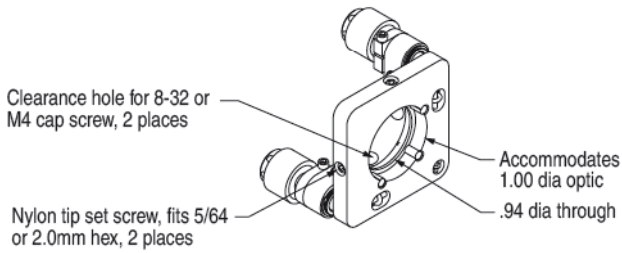
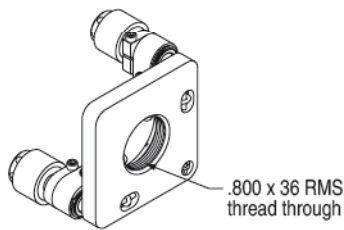
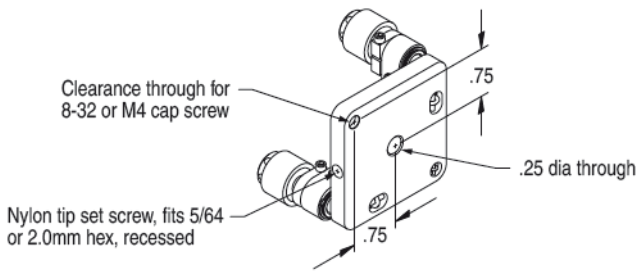
Mirror Mounts

Industrial Grade

1-inch Optic



2-axis / IM100.2 Series



Mirror Mounts

Industrial Grade

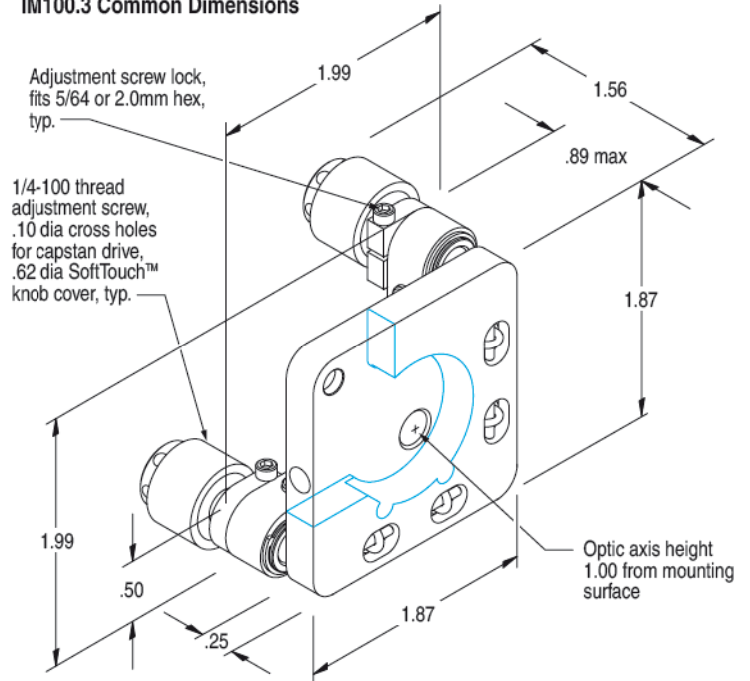
1-inch Optic

3-axis / IM100.3 Series



IM100.3 Series

IM100.3 Common Dimensions



Product Features

- 100 pitch lockable adjustment screws
- Color coded axis knobs
- Third axis adjustment
- Vacuum compatible versions available upon request

Performance Specifications

Travel / axis	8°
Minimum controllable motion	3.8 arc sec.

Related Products

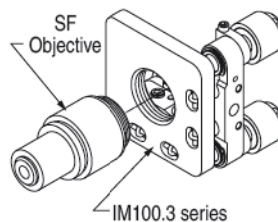
PR precision rods	132
RTC-0.5 clamp	132
IM100.H horizontal adapter	222
OMH series & OM1.0 optic mounts	247
T-1 prism clamp	251
SF spatial filter objective	291
cross-reference table	302

Order Information

industrial mount, 100TPI, platform	IM100.P3
industrial mount, 100TPI, microscope objective	IM100.M3
industrial mount, 100TPI, 1.0" optic	IM100.A3
industrial mount, 100TPI, 1.25" through aperture	IM100.T3
industrial mount, 100TPI, 1.0" optic cutaway, right hand side	IM100.C3
industrial mount, 100TPI, 1.0" optic cutaway, left hand side	IM100.C3L

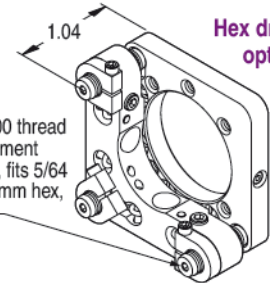
Hex Drive Option — for hex drive on this product, add '-H' after Model Number.

Application



Hex drive option

1/4-100 thread adjustment screw, fits 5/64 or 2.0mm hex, typ.



Industrial Mounts

These industrial grade kinematic optic mounts offer exceptional performance with a wide variety of flexible options. Our IM100 series mounts use precision rolled 100TPI adjustment screws for excellent resolution and feel in the hand. The solid 3/8-inch thick aluminum back plate offers two 8-32 [M4] mounting options for right or left hand compatibility.

Our IM100 series mounts use a full "L" cutaway back for maximum clear aperture. Within the back plate we use our lockable 100TPI adjustment screws with hardened steel balls that run on carbide pads to provide stable movement. These adjustment screws incorporate our *one wrench* design for capstan adjustment and locking. The unique collet design incorporates a split clamp for presetting the feel of the adjustment screw, as well as locking. If the location of the locking screw is not desirable, simply back it out and replace in the opposite side. The 100TPI collars also can be rotated in the back plate for maximum access flexibility.

All models use our SoftTouch™ color coded knob caps for easy axis identification in low light conditions.

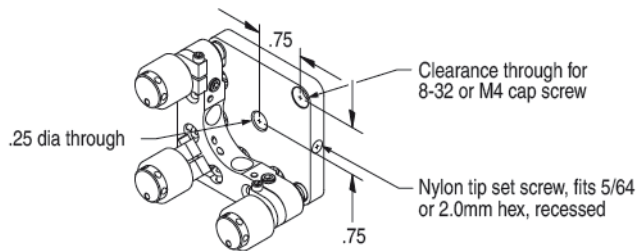
Mirror Mounts

Industrial Grade

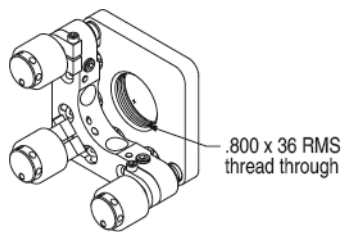
1-inch Optic



3-axis / IM100.3 Series



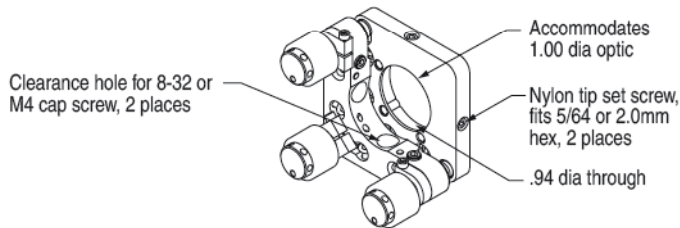
IM100.P3



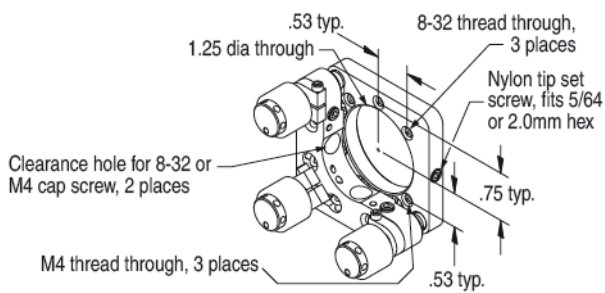
SF Objective



IM100.M3



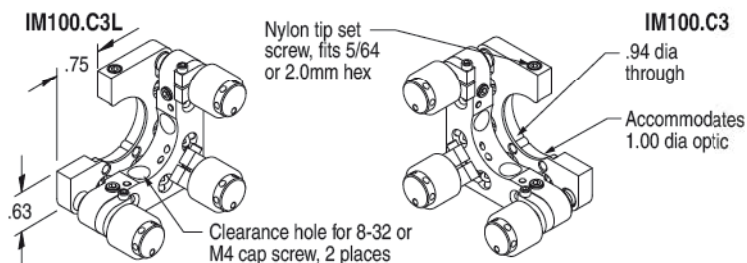
IM100.A3



OM1.0



IM100.T3

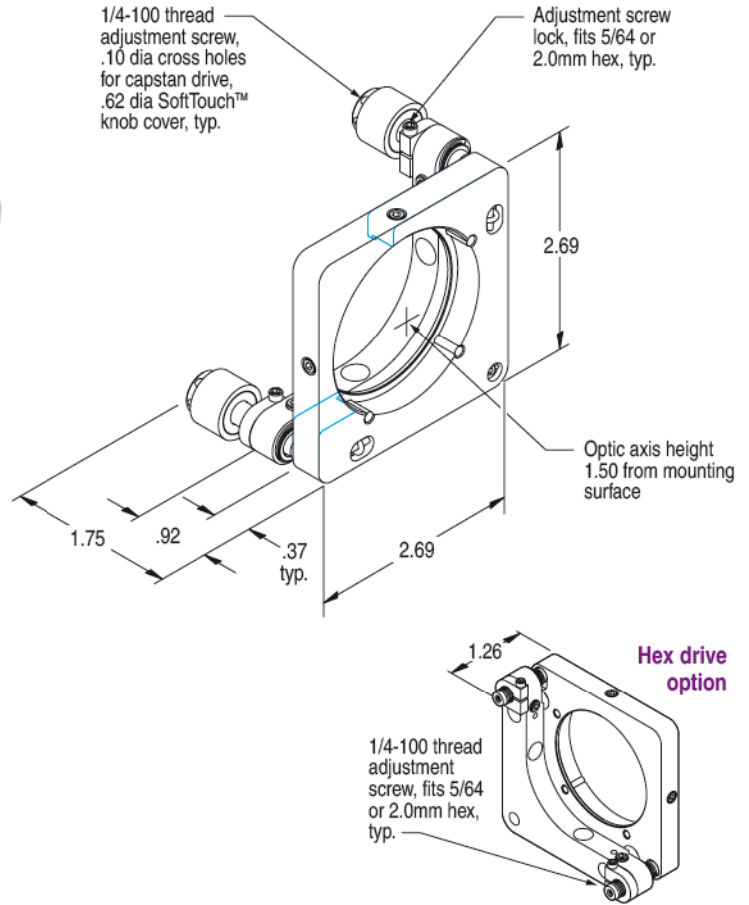


IM100.C3



IM200.2 Series

IM200.2 Common Dimensions



Product Features

- 100 pitch adjustment screws
- Color coded axis knobs
- Patented spring-loaded pivot point
- Vacuum compatible versions available upon request

Performance Specifications

Travel / axis	8°
Minimum controllable motion	2.5 arc sec.

Related Products

PR precision rods	132
-------------------	-----

Order Information

industrial mount, 100TPI, 2.0" optic	IM200.A2
industrial mount, 100TPI, 2.0" optic cutaway, right hand side	IM200.C2
industrial mount, 100TPI, 2.0" optic cutaway, left hand side	IM200.C2L

Hex Drive Option — for hex drive on this product, add 'H' after Model Number.

Industrial Mounts

These industrial grade kinematic optic mounts offer exceptional performance with a wide variety of flexible options. Our IM200 series mounts use precision rolled 100TPI adjustment screws for excellent resolution and feel in the hand. The solid 3/8-inch thick aluminum back plate offers two 8-32 [M4] mounting options for right or left hand compatibility. Our unique spring-loaded pivot (pat.# 6590723) ensures a stability that far exceeds other mounts.

Our IM200 series mounts use a full "L" cutaway back for maximum clear aperture. Within the back plate we use our lockable 100TPI adjustment screws with hardened steel balls that run on carbide pads to provide stable movement. These adjustment screws incorporate our *one wrench* design for capstan adjustment and locking. The unique collet design incorporates a split clamp for presetting the feel of the adjustment screw, as well as locking. If the location of the locking screw is not desirable, simply back it out and replace in the opposite side. The 100TPI collars also can be rotated in the back plate for maximum access flexibility.

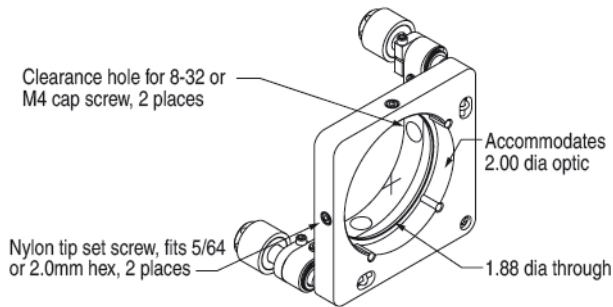
All models use our SoftTouch™ color coded knob caps for easy axis identification in low light conditions.

Mirror Mounts

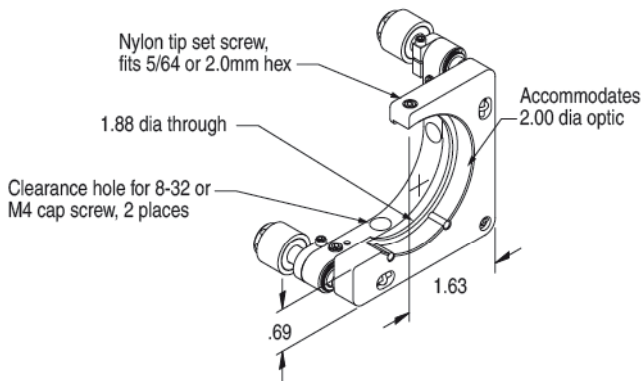
Industrial Grade

2-inch Optic

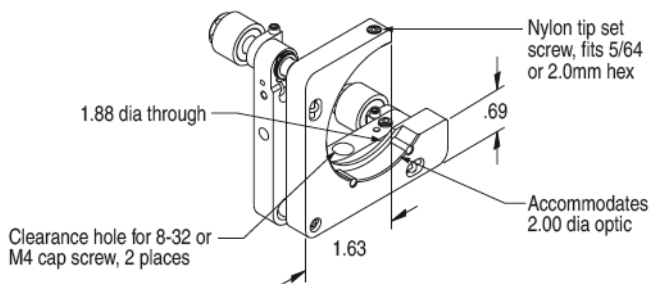
2-axis / IM200.2 Series



IM200.A2



IM200.C2

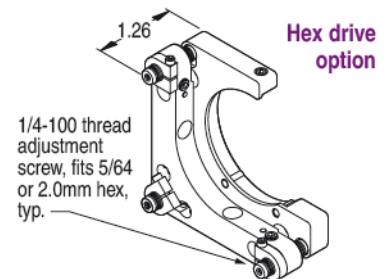
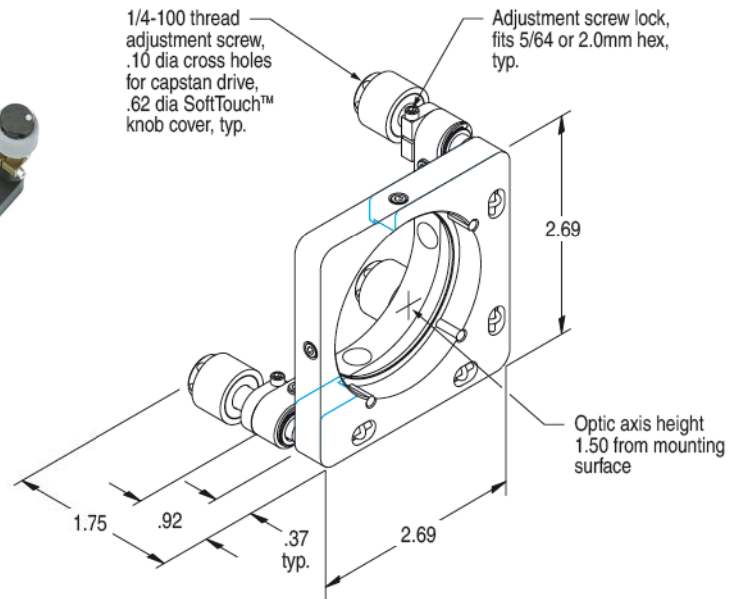


IM200.C2L



IM200.3 Series

IM200.3 Common Dimensions



Product Features

- 100 pitch lockable adjustment screws
- Color coded axis knobs
- Third axis adjustment
- Vacuum compatible versions available upon request

Performance Specifications

Travel / axis	8°
Minimum controllable motion	2.5 arc sec.

Related Products

PR precision rods	132
-------------------	-----

Order Information

industrial mount, 100TPI, 2.0" optic	IM200.A3
industrial mount, 100TPI, 2.0" optic cutaway, right hand side	IM200.C3
industrial mount, 100TPI, 2.0" optic cutaway, left hand side	IM200.C3L

Hex Drive Option — for hex drive on this product, add 'H' after Model Number.

Industrial Mounts

These industrial grade kinematic optic mounts offer exceptional performance with a wide variety of flexible options. Our IM200 series mounts use precision rolled 100TPI adjustment screws for excellent resolution and feel in the hand. The solid 3/8-inch thick aluminum back plate offers two 8-32 [M4] mounting options for right or left hand compatibility.

Our IM200 series mounts use a full "L" cutaway back for maximum clear aperture. Within the back plate we use our lockable 100TPI adjustment screws with hardened steel balls that run on carbide pads to provide stable movement. These adjustment screws incorporate our *one wrench* design for capstan adjustment and locking. The unique collet design incorporates a split clamp for presetting the feel of the adjustment screw, as well as locking. If the location of the locking screw is not desirable, simply back it out and replace in the opposite side. The 100TPI collars also can be rotated in the back plate for maximum access flexibility.

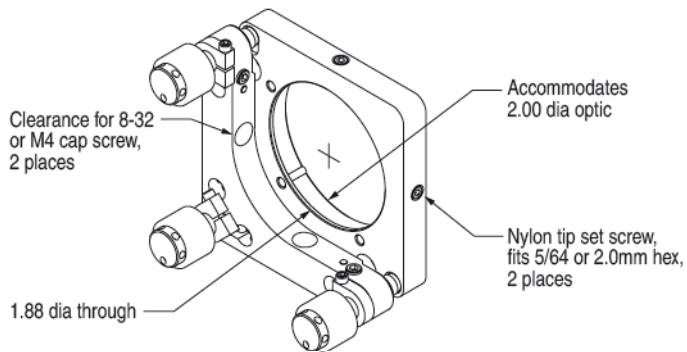
All models use our SoftTouch™ color coded knob caps for easy axis identification in low light conditions.

Mirror Mounts

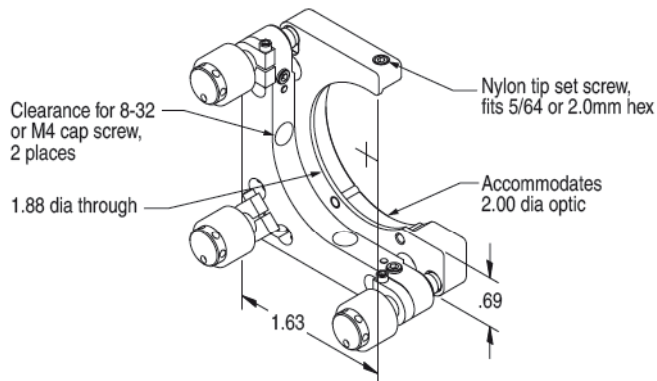
Industrial Grade

2-inch Optic

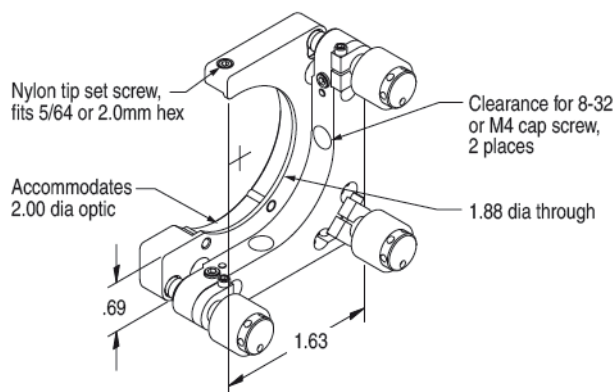
3-axis / IM200.3 Series



IM200.A3



IM200.C3



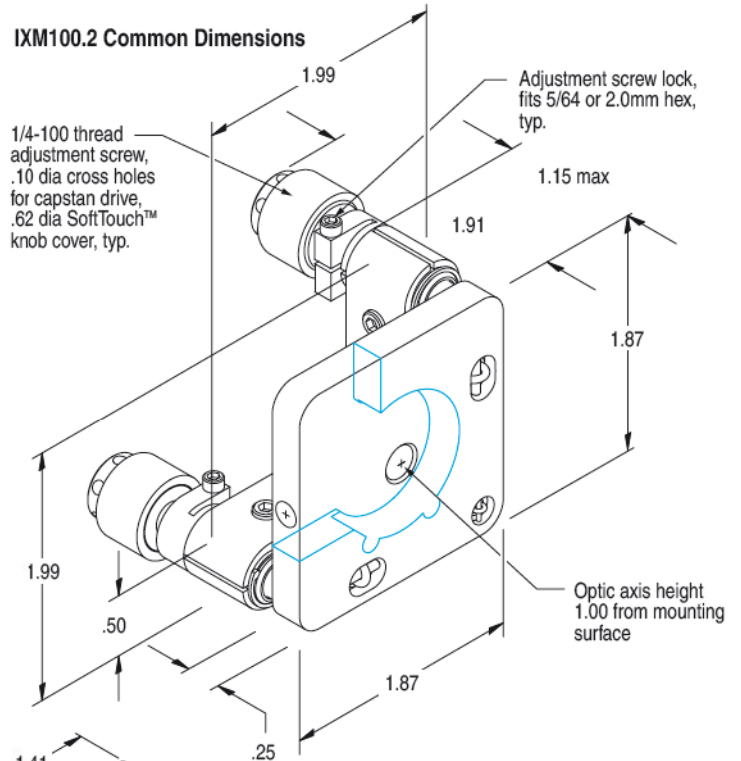
IM200.C3L

2-axis / IXM100.2



IXM100.2 Series

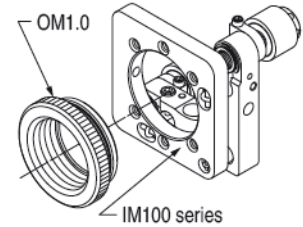
IXM100.2 Common Dimensions



Hex drive option

1/4-100 thread adjustment screw, fits 5/64 or 2.0mm hex, typ.

Application



Product Features

- 100 pitch lockable adjustment screws
- Color coded axis knobs
- Patented spring-loaded pivot point
- Vacuum compatible versions available upon request

Performance Specifications

Travel / axis	8°
Minimum controllable motion	3.8 arc sec.

Related Products

AS spacers	110
PR precision rods	132
RTC-0.5 clamp	132
IM100.H horizontal adapter	222
OMH series & OM1.0 optic mounts	247
T-1 prism clamp	251
SF spatial filter objective	291

Order Information

industrial mount, 100TPI, platform	IXM100.P2
industrial mount, 100TPI, microscope objective	IXM100.M2
industrial mount, 100TPI, 1.0" optic	IXM100.A2
industrial mount, 100TPI, 1.25" through aperture	IXM100.T2
industrial mount, 100TPI, 1.0" optic cutaway, right hand side	IXM100.C2
industrial mount, 100TPI, 1.0" optic cutaway, left hand side	IXM100.C2L

Hex Drive Option — for hex drive on this product, add '-H' after Model Number.

Industrial eXtreme Mounts

These Industrial eXtreme optical mounts offer the most stability found in the industry with a wide variety of flexible options. Our IXM100 series mounts use precision rolled 100TPI adjustment screws for excellent resolution and feel in the hand. The solid 5/8-inch thick aluminum back plate offers two 1/4-20 [M6] mounting options for right or left hand compatibility. Our unique spring-loaded pivot (pat.# 6590723) ensures a stability that far exceeds other mounts.

Our IXM100 series mounts use a full "L" cutaway back for maximum clear aperture. Within the back plate we use our lockable 100TPI adjustment screws with hardened steel balls that run on carbide pads to provide stable movement. These adjustment screws incorporate our *one wrench* design for capstan adjustment and locking. The unique collet design incorporates a split clamp for presetting the feel of the adjustment screw, as well as locking. If the location of the locking screw is not desirable, simply back it out and replace in the opposite side. The 100TPI collars also can be rotated in the back plate for maximum access flexibility.

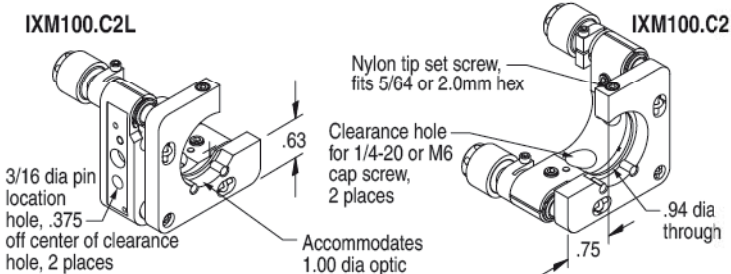
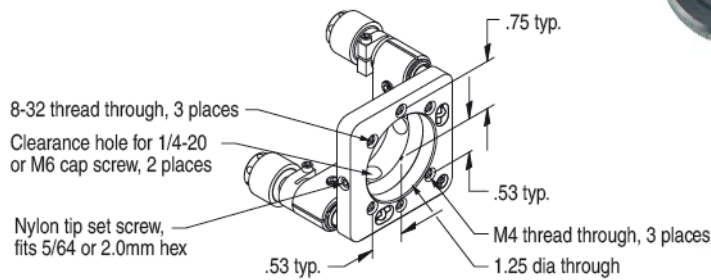
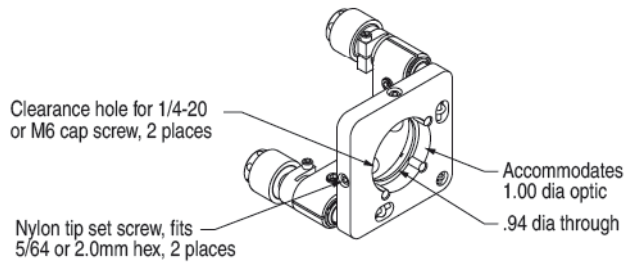
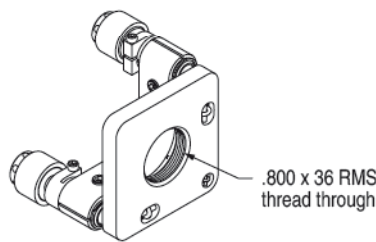
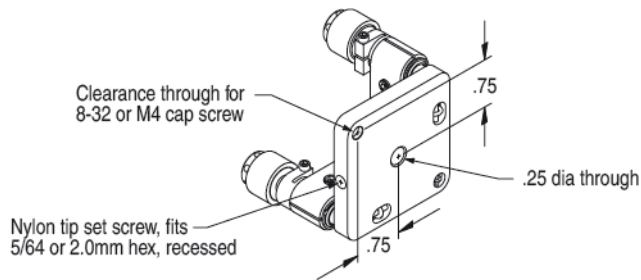
All models use our SoftTouch™ color coded knob caps for easy axis identification in low light conditions.

Mirror Mounts

eXtreme Grade

1-inch Optic

2-axis / IXM100.2

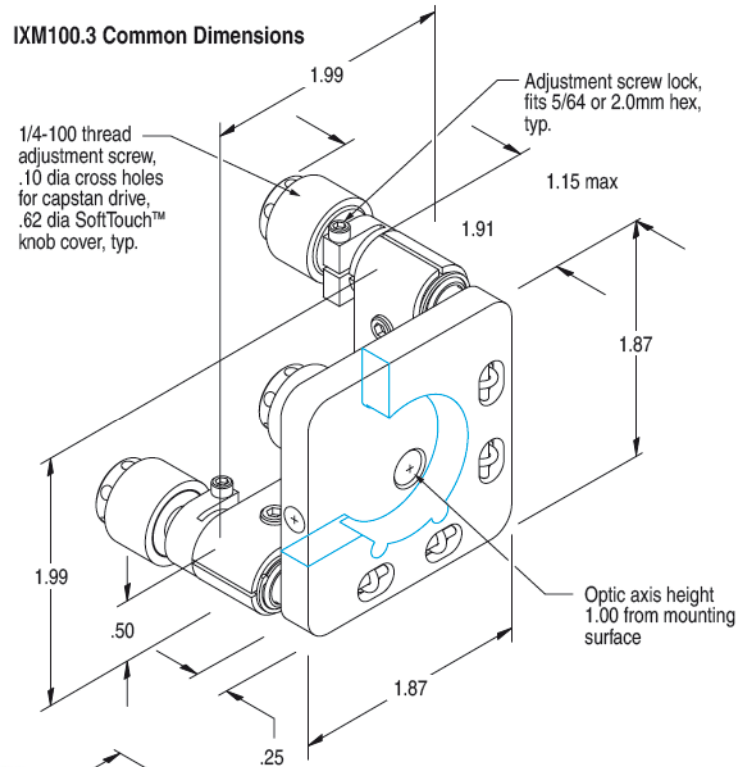


3-axis / IXM100.3

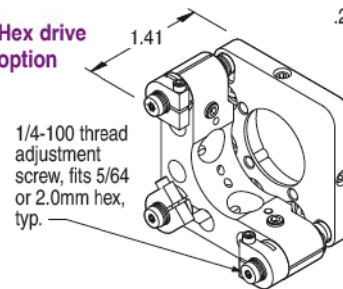


IXM100.3 Series

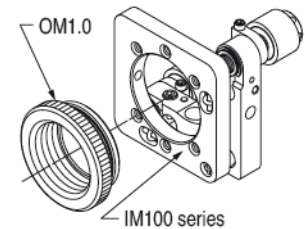
IXM100.3 Common Dimensions



Hex drive option



Application



Product Features

- 100 pitch lockable adjustment screws
- Color coded axis knobs
- Third axis adjustment
- Vacuum compatible versions available upon request

Performance Specifications

Travel / axis	8°
Minimum controllable motion	3.8 arc sec.

Related Products

AS spacers	110
PR precision rods	132
RTC-0.5 clamp	132
IM100.H horizontal adapter	222
OMH series & OM1.0 optic mounts	247
T-1 prism clamp	251
SF spatial filter objective	291

Order Information

industrial mount, 100TPI, platform	IXM100.P3
industrial mount, 100TPI, microscope objective	IXM100.M3
industrial mount, 100TPI, 1.0" optic	IXM100.A3
industrial mount, 100TPI, 1.25" through aperture	IXM100.T3
industrial mount, 100TPI, 1.0" optic cutaway, right hand side	IXM100.C3
industrial mount, 100TPI, 1.0" optic cutaway, left hand side	IXM100.C3L

Hex Drive Option — for hex drive on this product, add '-H' after Model Number.

Industrial eXtreme Mounts

These Industrial eXtreme optical mounts offer the most stability found in the industry with a wide variety of flexible options. Our IXM100 series mounts use precision rolled 100TPI adjustment screws for excellent resolution and feel in the hand. The solid 5/8-inch thick aluminum back plate offers two 1/4-20 [M6] mounting options for right or left hand compatibility.

Our IXM100 series mounts use a full "L" cutaway back for maximum clear aperture. Within the back plate we use our lockable 100TPI adjustment screws with hardened steel balls that run on carbide pads to provide stable movement. These adjustment screws incorporate our *one wrench* design for capstan adjustment and locking. The unique collet design incorporates a split clamp for presetting the feel of the adjustment screw, as well as locking. If the location of the locking screw is not desirable, simply back it out and replace in the opposite side. The 100TPI collars also can be rotated in the back plate for maximum access flexibility.

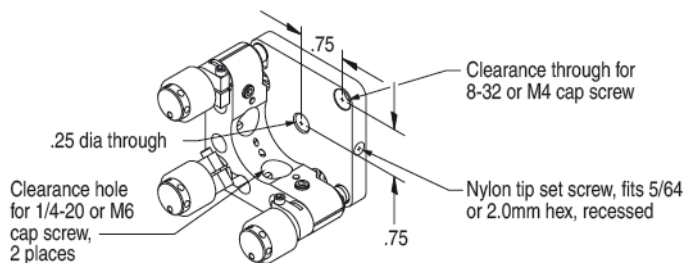
All models use our SoftTouch™ color coded knob caps for easy axis identification in low light conditions.

Mirror Mounts

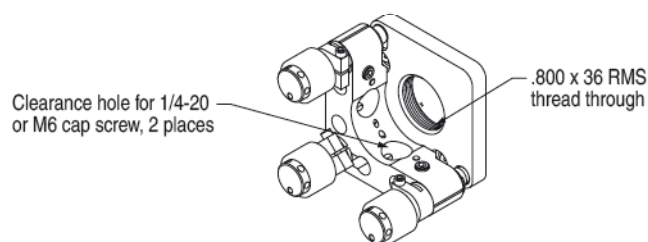
eXtreme Grade

1-inch Optic

3-axis / IXM100.3



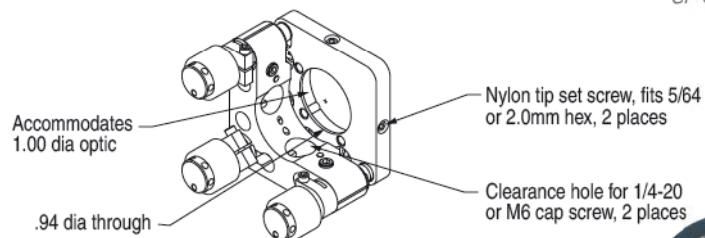
IXM100.P3



SF Objective



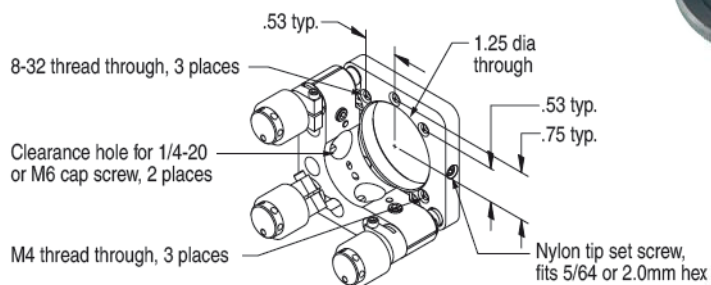
IXM100.M3



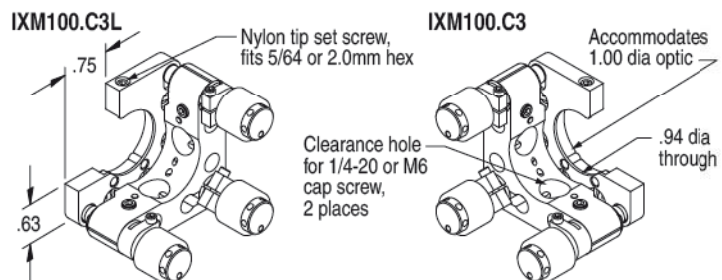
OM1.0



IXM100.A3



IXM100.T3

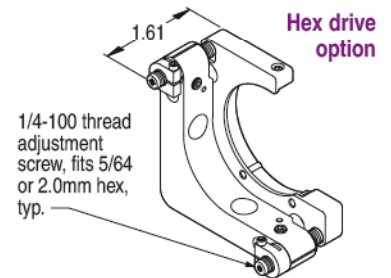
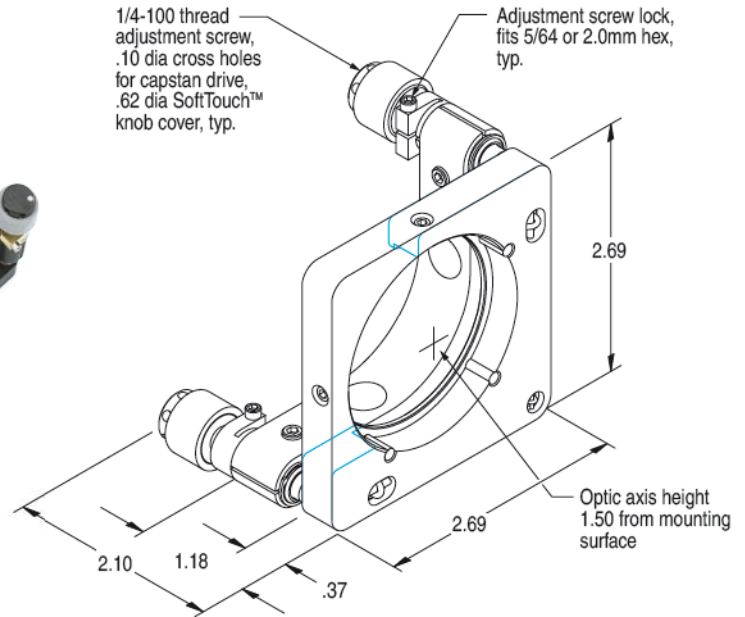


IXM100.C3



IXM200.2 Series

IXM200.2 Common Dimensions



Product Features

- 100 pitch lockable adjustment screws
- Color coded axis knobs
- Patented spring-loaded pivot point
- Vacuum compatible versions available upon request

Performance Specifications

Travel / axis	8°
Minimum controllable motion	2.5 arc sec.

Related Products

AS spacers	110
PR precision rods	132

Order Information

industrial mount, 100TPI, 2.0" optic	IXM200.A2
industrial mount, 100TPI, 2.0" optic cutaway, right hand side	IXM200.C2
industrial mount, 100TPI, 2.0" optic cutaway, left hand side	IXM200.C2L

Hex Drive Option — for hex drive on this product, add 'H' after Model Number.

Industrial eXtreme Mounts

These Industrial eXtreme optical mounts offer the most stability found in the industry with a wide variety of flexible options. Our IXM200 series mounts use precision rolled 100TPI adjustment screws for excellent resolution and feel in the hand. The solid 5/8-inch thick aluminum back plate offers two 1/4-20 [M6] mounting options for right or left hand compatibility. Our unique spring-loaded pivot (pat.# 6590723) ensures a stability that far exceeds other mounts.

Our IXM200 series mounts use a full "L" cutaway back for maximum clear aperture. Within the back plate we use our lockable 100TPI adjustment screws with hardened steel balls that run on carbide pads to provide stable movement. These adjustment screws incorporate our *one wrench* design for capstan adjustment and locking. The unique collet design incorporates a split clamp for presetting the feel of the adjustment screw, as well as locking. If the location of the locking screw is not desirable, simply back it out and replace in the opposite side. The 100TPI collars also can be rotated in the back plate for maximum access flexibility.

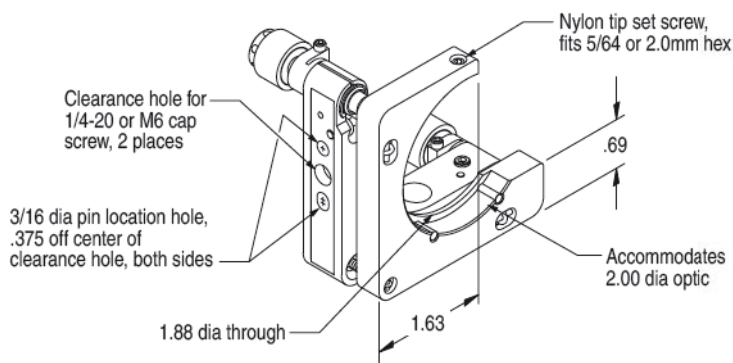
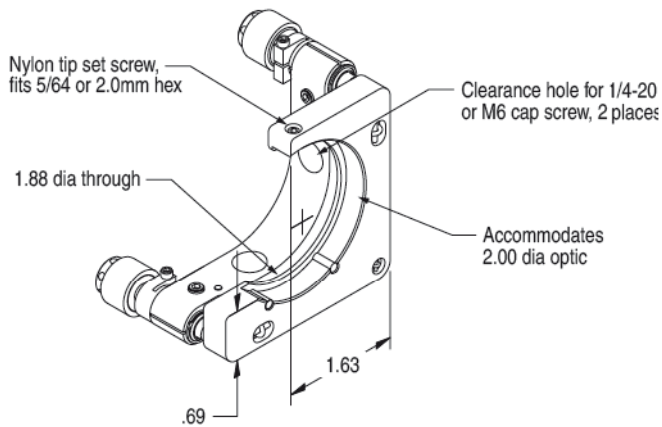
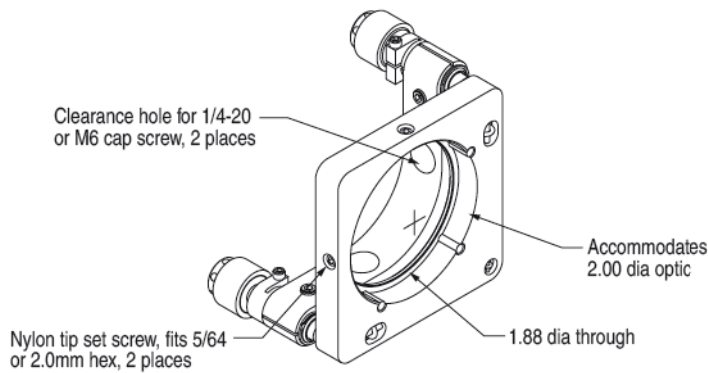
All models use our SoftTouch™ color coded knob caps for easy axis identification in low light conditions.

Mirror Mounts

eXtreme Grade

2-inch Optic

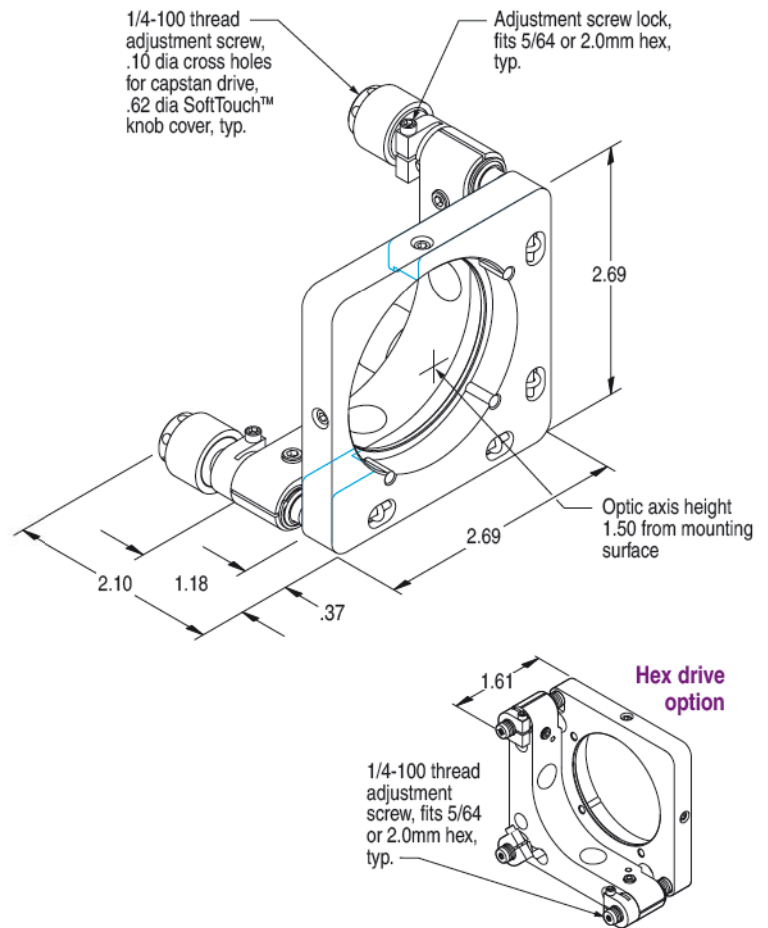
2-axis / IXM200.2





IXM200.3 Series

IXM200.3 Common Dimensions



Product Features

- 100 pitch lockable adjustment screws
- Color coded axis knobs
- Third axis adjustment
- Vacuum compatible versions available upon request

Performance Specifications

Travel / axis	8°
Minimum controllable motion	2.5 arc sec.

Related Products

AS spacers	110
PR precision rods	132

Order Information

industrial mount, 100TPI, 2.0" optic	IXM200.A3
industrial mount, 100TPI, 2.0" optic cutaway, right hand side	IXM200.C3
industrial mount, 100TPI, 2.0" optic cutaway, left hand side	IXM200.C3L

Hex Drive Option — for hex drive on this product, add 'H' after Model Number.

Industrial eXtreme Mounts

These Industrial eXtreme optical mounts offer the most stability found in the industry with a wide variety of flexible options. Our IXM200 series mounts use precision rolled 100TPI adjustment screws for excellent resolution and feel in the hand. The solid 5/8-inch thick aluminum back plate offers two 1/4-20 [M6] mounting options for right or left hand compatibility.

Our IXM200 series mounts use a full "L" cutaway back for maximum clear aperture. Within the back plate we use our lockable 100TPI adjustment screws with hardened steel balls that run on carbide pads to provide stable movement. These adjustment screws incorporate our *one wrench* design for capstan adjustment and locking. The unique collet design incorporates a split clamp for presetting the feel of the adjustment screw, as well as locking. If the location of the locking screw is not desirable, simply back it out and replace in the opposite side. The 100TPI collars also can be rotated in the back plate for maximum access flexibility.

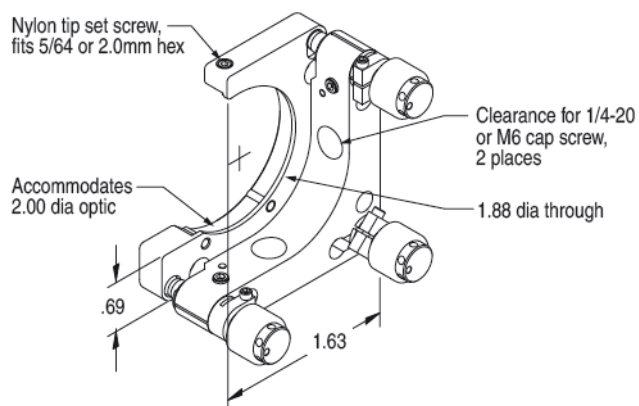
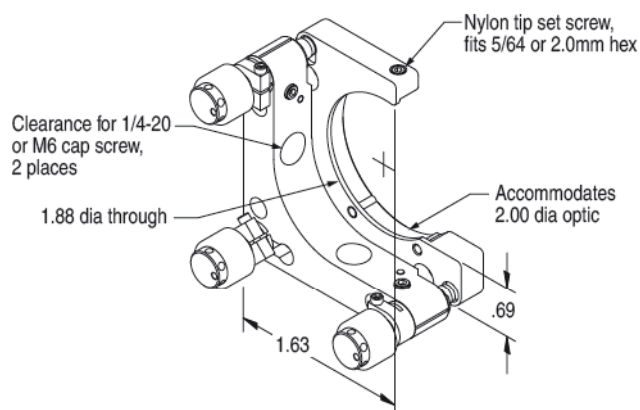
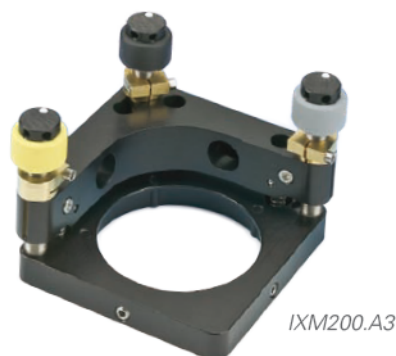
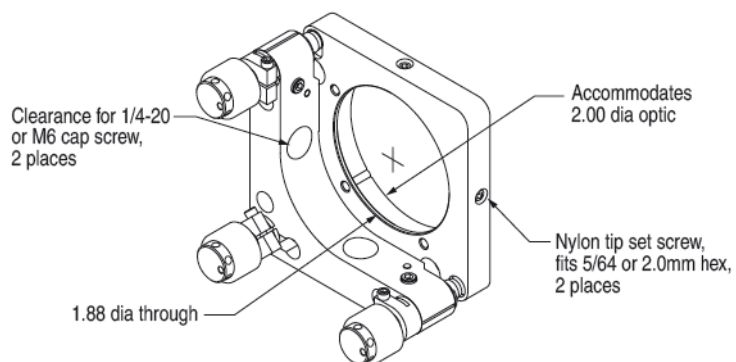
All models use our SoftTouch™ color coded knob caps for easy axis identification in low light conditions.

Mirror Mounts

eXtreme Grade

2-inch Optic

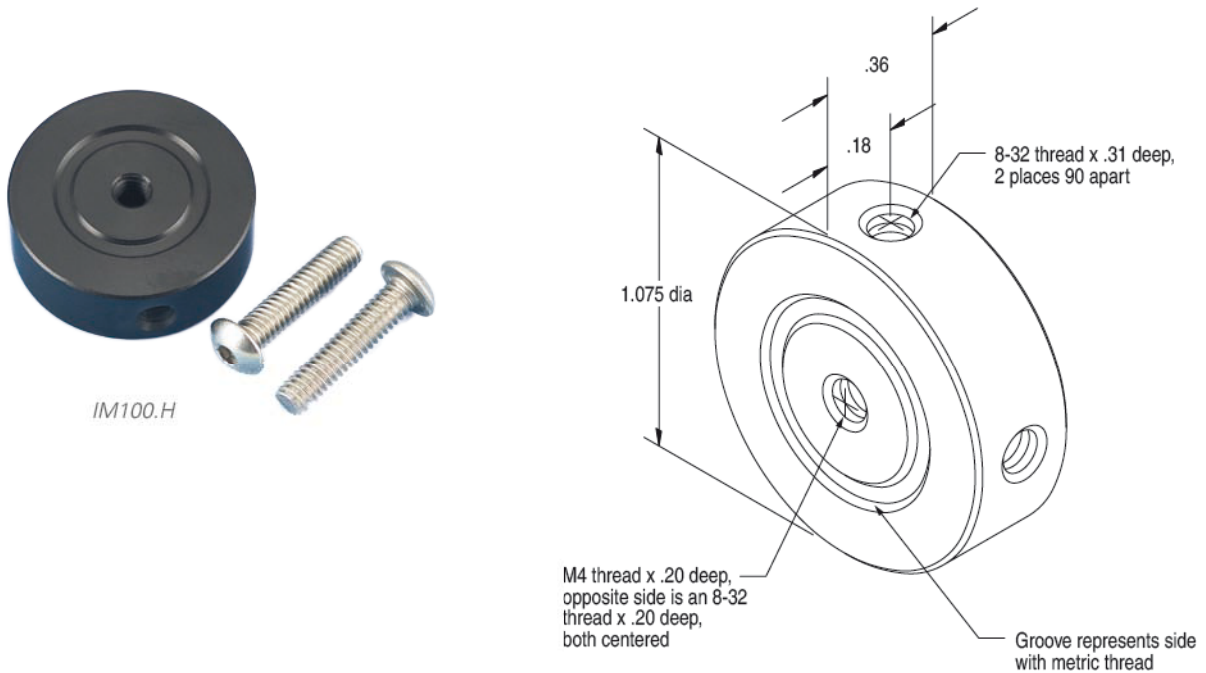
3-axis / IXM200.3



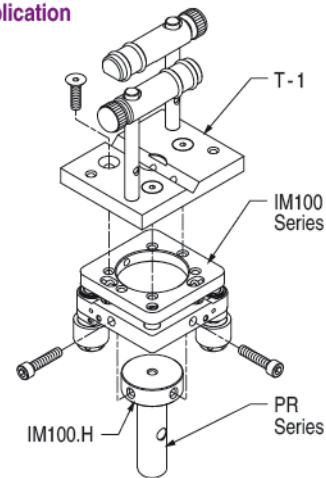
Mirror Mounts

Horizontal Adapter

IM100 Series compatible / IM100.H



Application



Product Features

- Metric or U.S. system thread attachment
- Compatible with IM series mounts
- Mounting hardware included
- Vacuum compatible versions available upon request

Related Products

IM100 series mirror mounts 206

Order Information

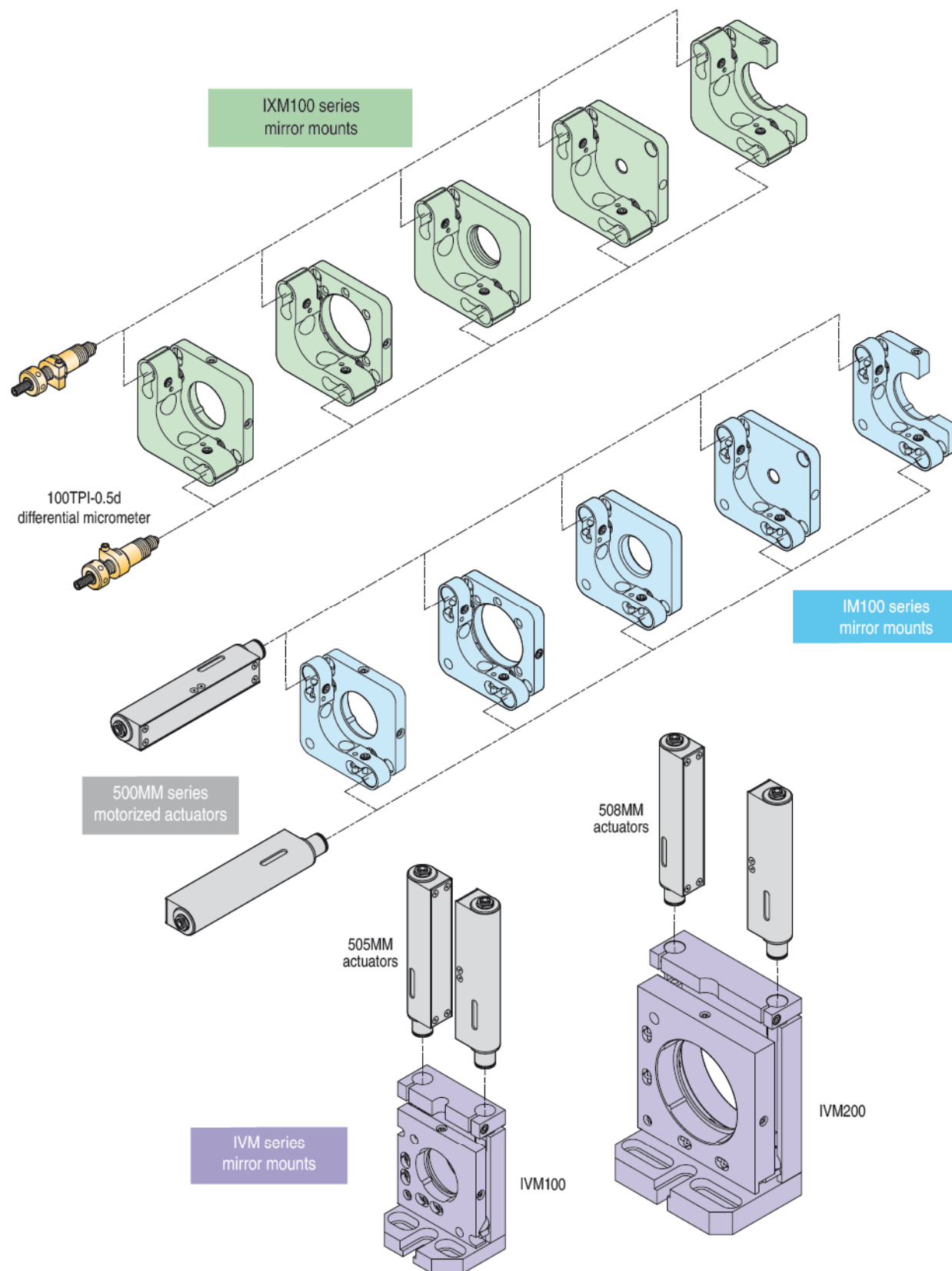
industrial mount, horizontal adapter IM100.H

Industrial Mount Adapter

The IM100.H is designed as a horizontal adapter for our IM100 series industrial mounts. This simple adapter is designed to be mounted in the back plate of the IM100 series mounts and enables the mount to be used horizontally as a tilt table or mounted to a flat panel. The IM100.H uses two 8-32 button head screws, included, to attach it to the mirror mount back plate. The IM100.H is tapped for metric (M4) or U.S. system (8-32) mounting.

Mirror Mounts

Applications



Mirror Mounts

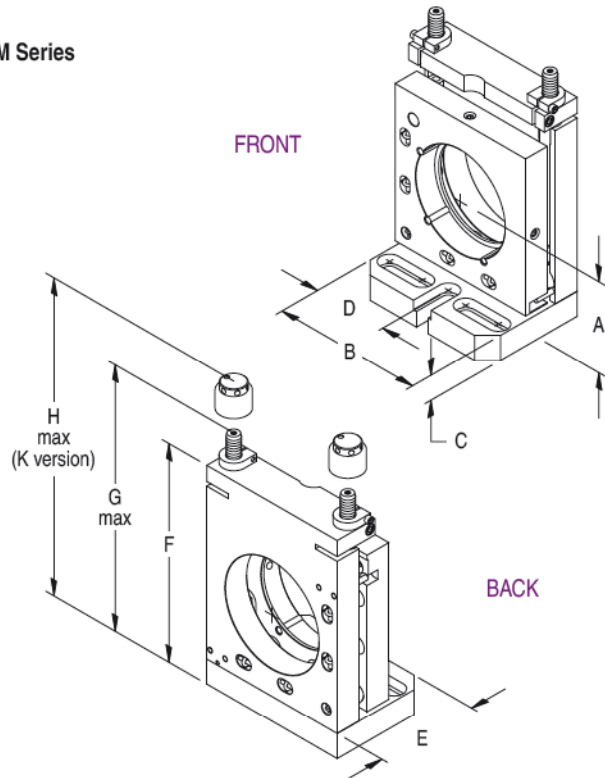
Top Adjusted

0.5- to 2.0-inch optic / IVM100 Series



IVM Series

IVM Series



Model Name	Optic Size	A	B	C	Dimension D	Dimension E	F	G	H
IVM100.5	.50	1.00	1.00	.29	.50	.98	1.94	2.10	2.60
IVM 100	1.00	1.50	2.00	.31	1.00	1.48	3.10	3.53	4.07
IVM200	2.00	2.13	3.00	.50	1.50	2.06	4.36	4.87	5.41

Product Features

- Zero-crosstalk
- 100TPI adjustment screws
- Patented spring-loaded design
- Vacuum compatible versions available upon request

Performance Specifications

Travel / axis	8°
Minimum controllable motion	
IVM100.5	7.9 arc sec.
IVM100	3.8 arc sec.
IVM200	2.3 arc sec.

Related Products

AS spacers	110
PR precision rods	132

Order Information

0.5-inch mirror mount, top adjust	IVM100.5
1.0-inch mirror mount, top adjust	IVM100
2.0-inch mirror mount, top adjust	IVM200

Knob Option — for SoftTouch™ knob features on this product, add 'K' after Model Number.

Top Adjusted Mirror Mounts

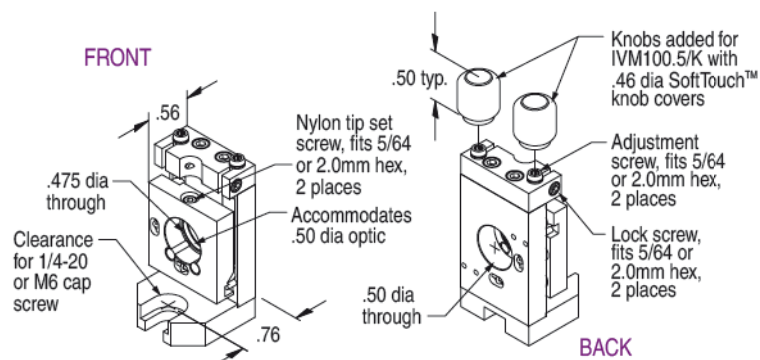
These top adjusted or vertical optical mounts have our unique zero-crosstalk system that guarantees true orthogonal motion between the tip and tilt axes. By using our patented spring-loaded pivot (pat.# 6590723), these mounts are the most stable in the industry, far exceeding other mounts. Parallel stainless steel guide rods constrain adjustment screw travel, eliminating crosstalk. Our IVM series mounts use precision rolled 100TPI adjustment screws for excellent resolution and touch. They come with either 5/64 hex adjustments or capstan knob caps with SoftTouch™ covers. Like all of our "I" series mounts, the IVMs use our *one wrench* design that allows the user to secure the optic, orient the adjustment locks, adjust the optic position, and lock the mount all with one wrench. These mounts come in three sizes: 0.5 inch, 1.0 inch, and 2.0 inch, with other sizes and configurations available upon request.

Mirror Mounts

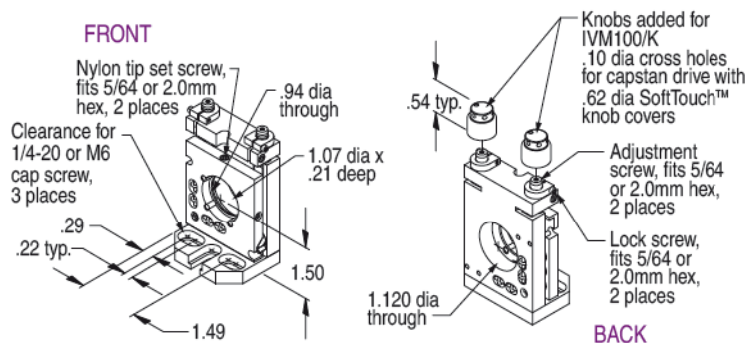
Top Adjusted

0.5- to 2.0-inch optic / IVM100 Series

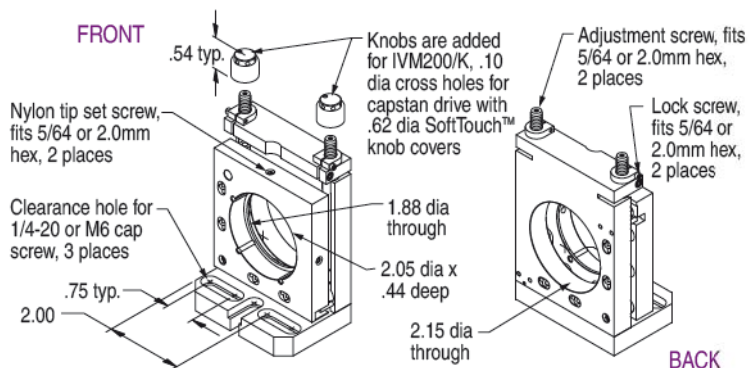
IVM100.5



IVM100



IVM200



Mirror Mounts

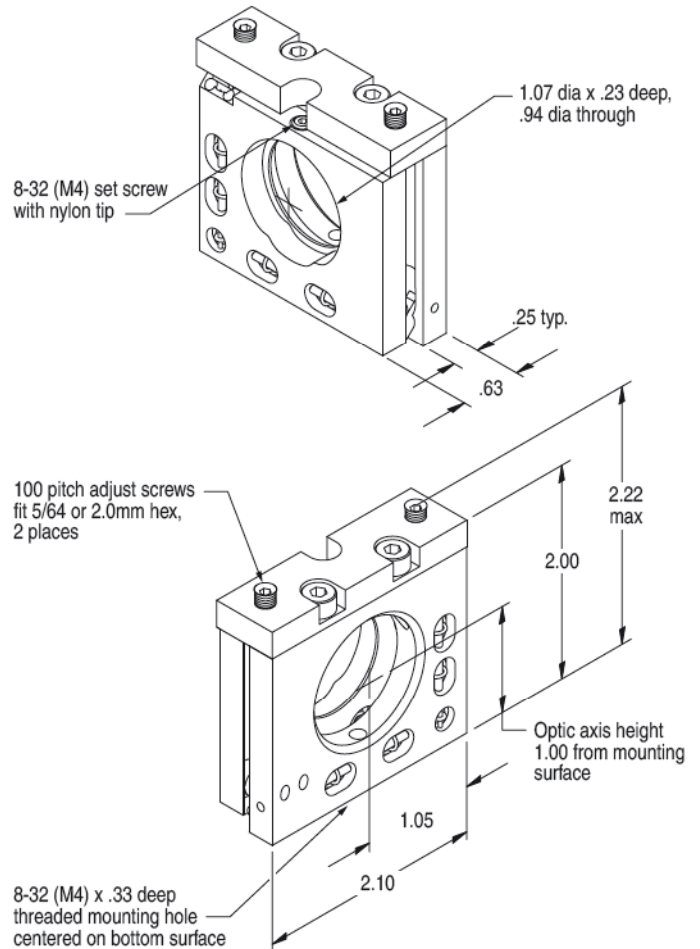
Compact Vertical Mount

1.0-inch optic / CVM100

Note that dimensions in parentheses (mm) reflect metric assembly features



CVM100



Product Features

- Low profile
- 100TPI adjustment screws
- Patented pivot design
- UV compatible versions available upon request

Performance Specifications

Pitch	7°
Yaw	6°
Minimum controllable motion	
Pitch	4.6 arc sec.
Yaw	3.6 arc sec.

Related Products

PR precision rods	132
RTC-0.5 clamp	132

Order Information

compact vertical mount, 1.0 inch optic CVM100

Metric Option — for metric assembly features on this product, add '-M' after model number.

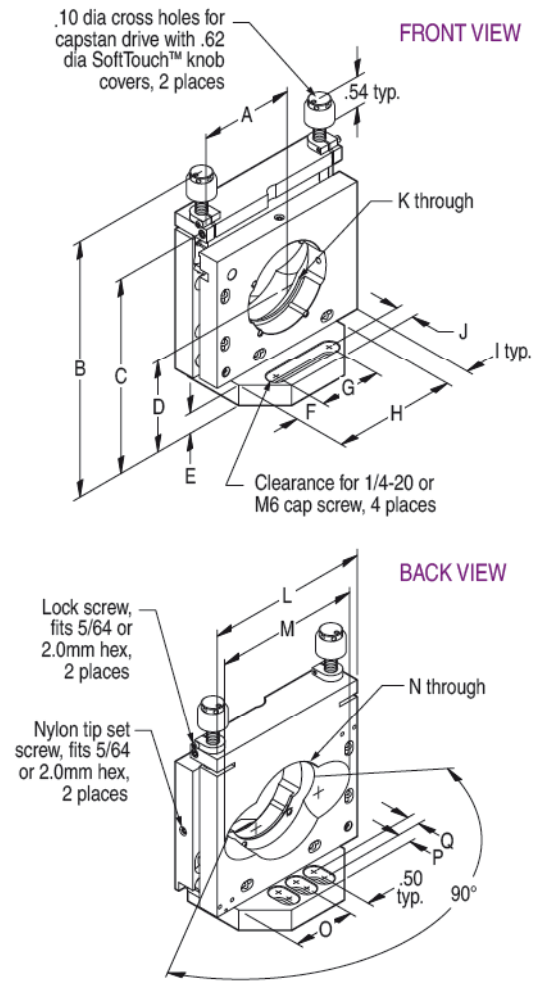
Compact Vertical Mount

The CVM100 is a low profile version of our popular IVM100 series mirror mount. The new compact design is ideal for applications in which space or height is critical. The optical axis height is 1.00 inch from the mounting surface. It incorporates our unique zero-crosstalk system that guarantees true orthogonal motion between the tip and tilt axes. 100TPI adjustment screws are used to control the fine pitch/yaw resolution of this mount, and the screws are swaged at the top to prevent over-adjustment. To ensure rock-solid stability we incorporate our patented spring-loaded pivot (pat# 6590723) with four other springs that are aligned with the individual axes of rotation.

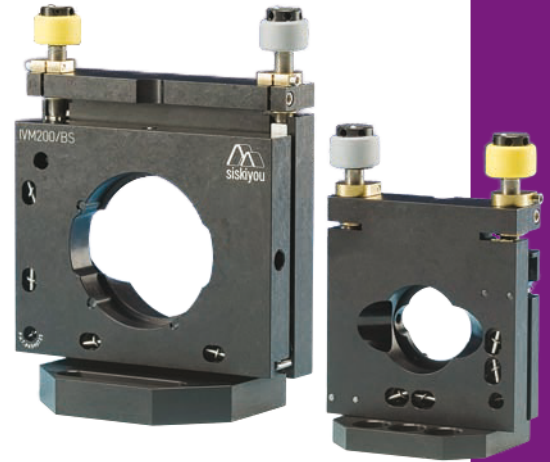
Mirror Mounts

Beamsplitter Mount

1.0- and 2.0-inch optic / IVM100 and IVM200



Dimen. letter	1.00 optic	2.00 optic
A	1.32	1.98
B	4.07	5.46
C	3.10	4.36
D	1.50	2.13
E	.31	.50
F	.58	.75
G	1.00	1.50
H	2.15 x 2.10	3.00 x 2.94
I	.25	.48
J	.33	.44
K dia	.94	1.88
L	2.64	3.96
M	1.77	3.53
N dia	1.12	2.15
O	1.08	1.50
P	.30	.32
Q	.10	.30



IVM100/bs and IVM200/bs

Beamsplitter Mount

Our new beamsplitter versions of our popular IVM series mounts incorporate large 45° clear aperture cutouts on the backplate and unique mounting plate configurations to facilitate mounting at various angles up to 45°. These top adjusted or vertical optical mounts have our unique zero crosstalk system that guarantees true orthogonal motion between the tip and tilt axes.

By using our patented spring-loaded pivot (pat.# 6590723), these mounts are the most stable in the industry, far exceeding other mounts. Our IVM series mounts use precision rolled 100TPI adjustment screws for excellent resolution and touch. They come with capstan knob caps with SoftTouch™ covers. Like all of our "I" series mounts, the IVMs use our *one wrench* design that allows the user to secure the optic, orient the adjustment locks, adjust the optic position, and lock the mount all with one wrench. These mounts come in two sizes: 1.0 inch, and 2.0 inch, with other sizes and configurations available upon request.

Product Features

- Large clear aperture
- Zero crosstalk
- Patented spring loaded design
- UV and Vacuum compatible versions available upon request

Performance Specifications

Travel / axis	8°
Minimum controllable motion	
IVM100/bs	3.8 arc sec.
IVM200/bs	2.3 arc sec.

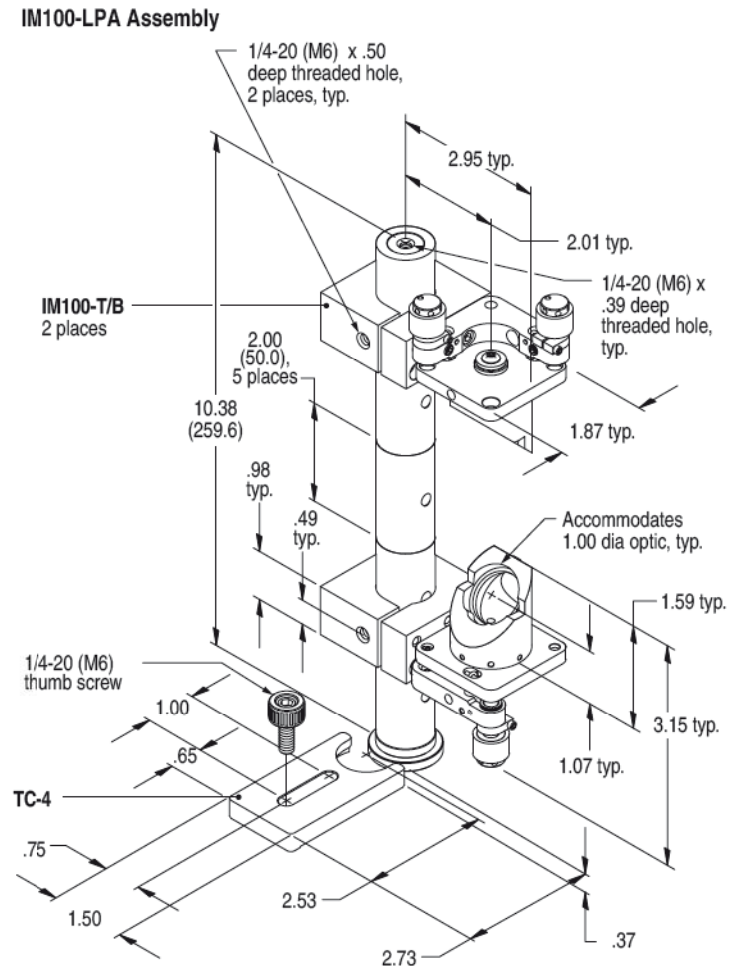
Order Information

1.00 inch optic	IVM100/bs
2.00 inch optic	IVM200/bs

Periscope, Industrial Grade

1.0-inch optic / IM100 Series

Note that dimensions in parentheses (mm) reflect metric assembly features



Product Features

- 1.0-inch tower design
- 100TPI tip/tilt adjustment
- Flexible fork clamp mounting
- Vacuum compatible versions available upon request

Performance Specifications

Travel / axis	8°
Minimum controllable motion	3.8 arc sec.

Related Products

AS spacers & clamps	beginning 110
---------------------	---------------

Order Information

1.0 inch optic, LASER periscope assembly, industrial grade	IM100-LPA
1.0 inch optic, clamp/mirror mount/optic holder, individual unit for top or bottom mount	IM100-T/B

Metric Option — for metric assembly features on this product, add '-M' after model number.

Industrial Grade LASER Periscope Mount

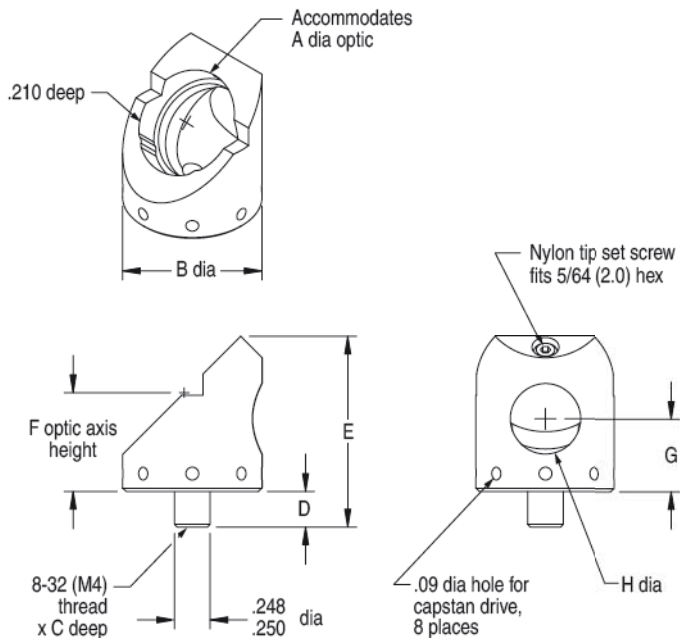
Our periscope assembly combines our industrial grade IM100 series mounts, AS series spacers, AS-C clamp, and TC-4 clamp fork to create a beam steering periscope, perfect for introducing a free-space beam into a microscope experiment. The combination of these robust components creates a very stable and flexible mounting platform. The IM100 series mounts have our patented spring-loaded pivot (pat.# 6590723) and a unique 45° optic holder that uses our capstan drive design to rotate the optic while keeping your fingers out of the beam path. The AS series spacers are 2.0 inch in length and can be added for more height. The AS-C clamp is design to fit our AS series spacers and has 1/4-20 (M6) and 8-32 (M4) attachments on four sides. The TC-4 fork clamp allows the user to position the periscope assembly anywhere on the isolation table top — even between the mounting holes.

Mirror Mounts

45-degree Adapters

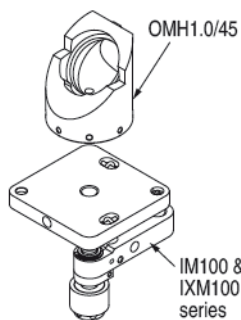
0.5- to 1.0-inch optic / OMH/45 Series

Note that dimensions in parentheses (mm) reflect metric assembly features

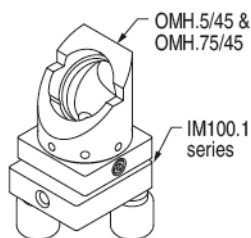


Model	A	B	C	D	E	F	G	H
OMH.5/45	.500	.980	.30	.250	1.34	.750	.590	.375
OMH.75/45	.750	.980	.30	.250	1.34	.693	.510	.500
OMH1.0/45	1.000	1.360	.37	.375	1.96	1.070	.880	.700

Application



Application



The OMH series of 45° optic adapters is designed to mount into our full range of mirror mounts including the IM100 and IXM100 series. Their simple design enables the experimenter to build adjustable periscope assemblies for 0.5-inch (12-mm), 0.75-inch (19-mm), or 1.0-inch (25-mm) mirrors. They use a single 8-32 (M4) nylon tipped set screw to securely hold the mirror in place without damaging it. All models incorporate our *one wrench* design, in which the same wrench is used to lock the optic in place and adjust the angle of the adapter via the series of capstan holes around the circumference of the adapter.



OMH Series

Product Features

- 0.5-, 0.75- and 1.0-inch adapter
- Hex screw for easy mirror replacement
- Compatible with RM and IM series mounts
- Vacuum compatible versions available upon request

Related Products

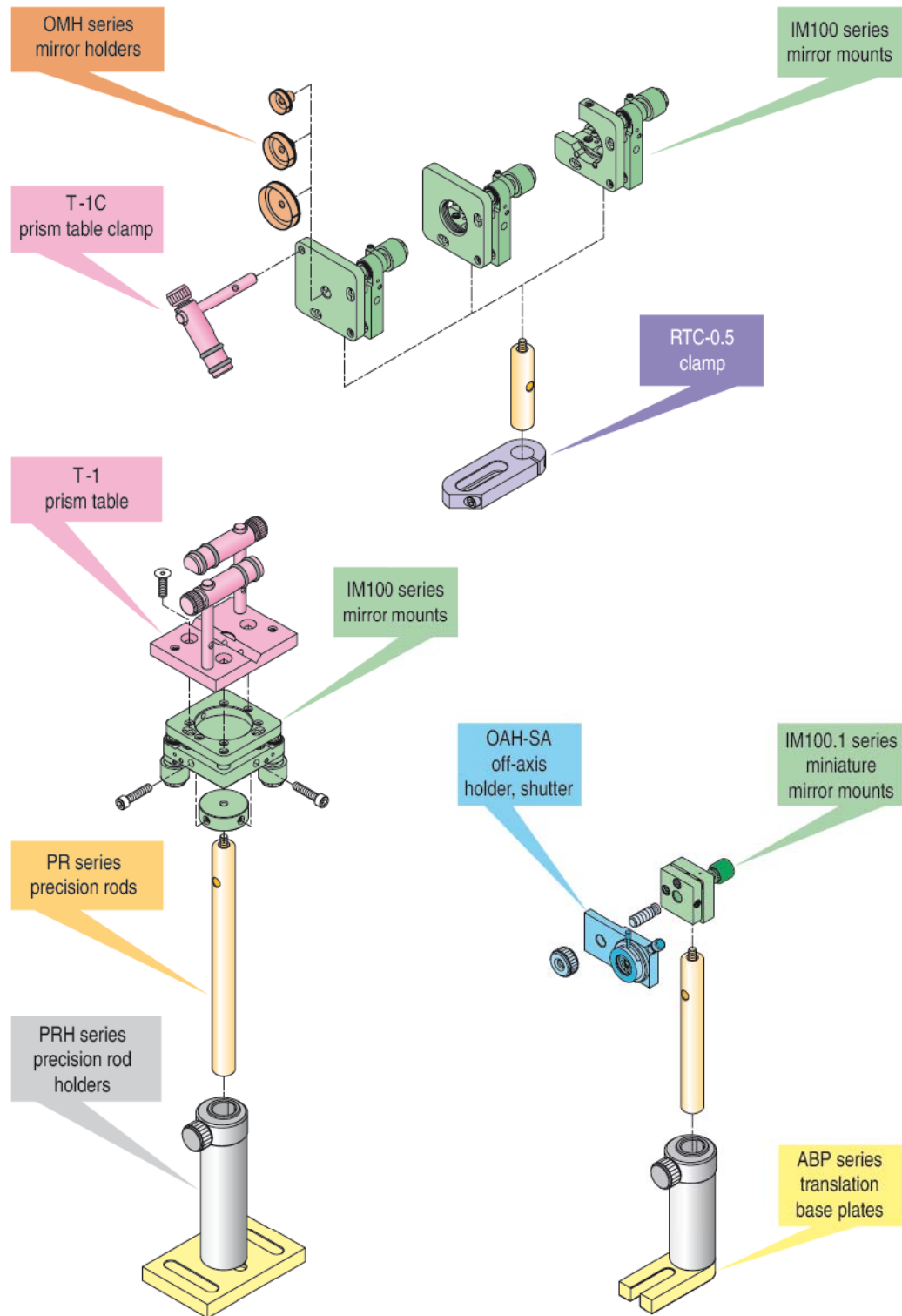
IM100.P2 mirror mount	206
IM100.P3 mirror mount	208
IXM100.P2 industrial mount	214
IXM100.P industrial mount	216
IM100.1 miniature mount	231
RM80-1 research mount	232
RM80-0.75 research mount	233

Order Information

45° mirror holder, 0.5 inch optic	OMH.5/45
45° mirror holder, 0.75 inch optic	OMH.75/45
45° mirror holder, 1.0 inch optic	OMH1.0/45

Metric Option — for metric assembly features on this product, add '-M' after model number.





Mirror Mounts

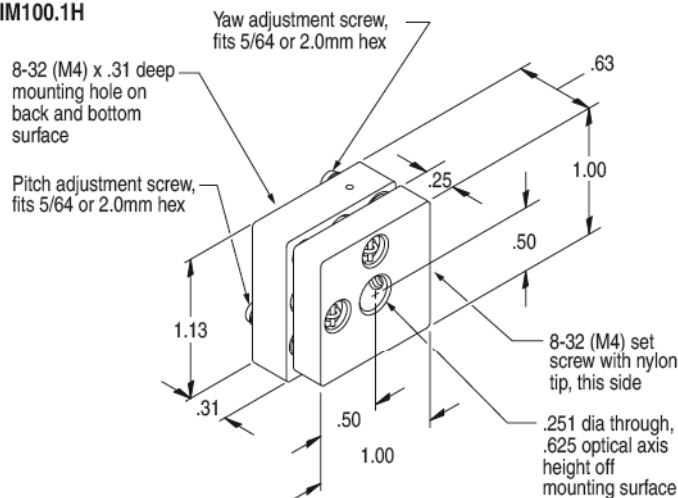
Miniature

.25-inch Optic

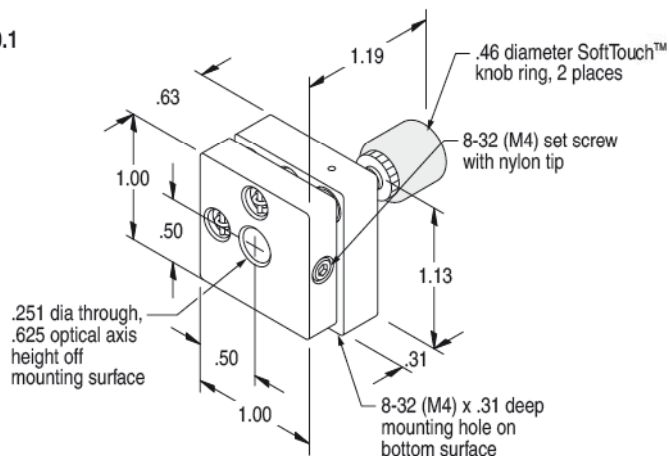
0.5–1.0-inch optic / IM100.1 Series

Note that dimensions in parentheses (mm) reflect metric assembly features

IM100.1H



IM100.1



IM100.1H



IM100.1

Industrial Mounts

Ideal for tight spaces, the IM100-1 and IM100-1H are designed to be used with our OMH series optical mirror holders. The 5/16-inch thick back plate uses 100TPI precision rolled adjustment screws with hardened steel balls that run on carbide pads to provide stable movement.

The adjustment knobs for the IM100-1 use our color coded SoftTouch™ knob caps for comfortable operation and easy axis recognition in low light conditions. A 5/16 hex wrench is used to adjust the IM100-1H, which minimizes inadvertent movement.

Both models have one 8-32 mounting hole on the edge of the back plate for vertical mounting and another 8-32 mounting hole on the face of the back plate for horizontal mounting on our PR or MPR series mounting rods.

Product Features

- 100 pitch adjustment screws
- SoftTouch™ or hex adjustment versions
- Vertical or horizontal mounting
- Vacuum compatible versions available upon request

Performance Specifications

Travel / axis	10°
Minimum controllable motion	8.3 arc sec.

Related Products

PR precision rods	132
MPR miniature precision rods	136
OMH1.0 mirror holder	247
OMH.75 mirror holder	247
OMH.5 mirror holder	247
optic mounts, OAH series	248
cross-reference table	302

Order Information

industrial mount, 100TPI, hex drive	IM100.1H
industrial mount, 100TPI, knob drive	IM100.1

Metric Option — for metric assembly features on this product, add '-M' after model number.



Mirror Mounts

Miniature

0.5–1.0-inch optic / RM80-1H

Note that dimensions in parentheses (mm) reflect metric assembly features

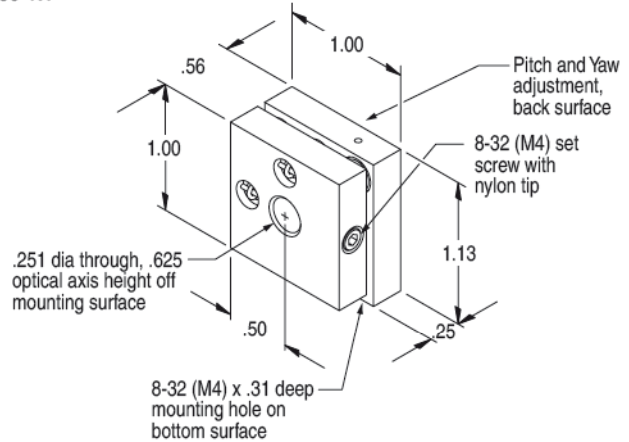


RM80-1H

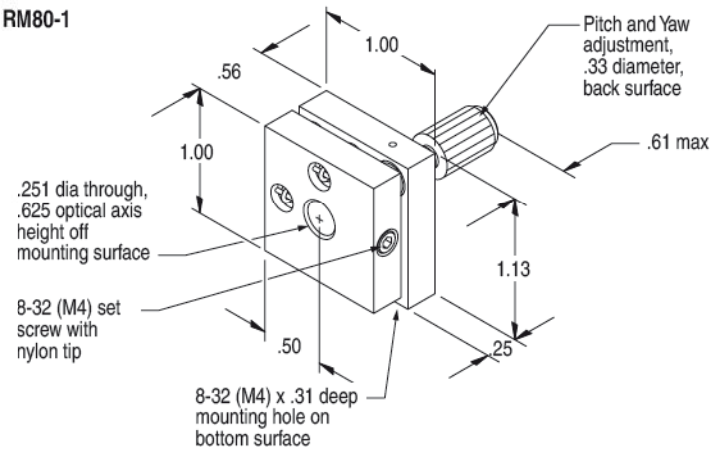


RM80-1

RM80-1H



RM80-1



Product Features

- 80 pitch adjustment screws
- Knob or hex adjustment versions
- Vertical or horizontal mounting
- Vacuum compatible versions available upon request

Performance Specifications

Travel / axis	10°
Minimum controllable motion	10.4 arc sec.

Related Products

PR precision rods	132
MPR miniature precision rods	136
OMH1.0 mirror holder	247
OMH.75 mirror holder	247
OMH.5 mirror holder	247
OAH series optic mounts	248
cross-reference table	302

Order Information

research mount, 80TPI, hex drive	RM80-1H
research mount, 80TPI, knob drive	RM80-1

Metric Option — for metric assembly features on this product, add '-M' after model number.

Research Mounts

One of the smallest OEM mounts commercially available, the RM80-1 and RM80-1H are designed to be used with our OMH series optical mirror holders. The 1/4-inch thick back plate uses 80TPI precision rolled adjustment screws to provide stable movement.

The adjustment screws for the RM80-1 use knurled Delrin® screw caps to ensure non-slip finger adjustments. A 5/64 hex wrench is used to adjust the RM80-1H, which minimizes inadvertent movement.

Both models have one 8-32 mounting hole on the edge of the back plate for vertical mounting and another 8-32 mounting hole centered on the face of the back plate for horizontal mounting on our PR or MPR series mounting rods.

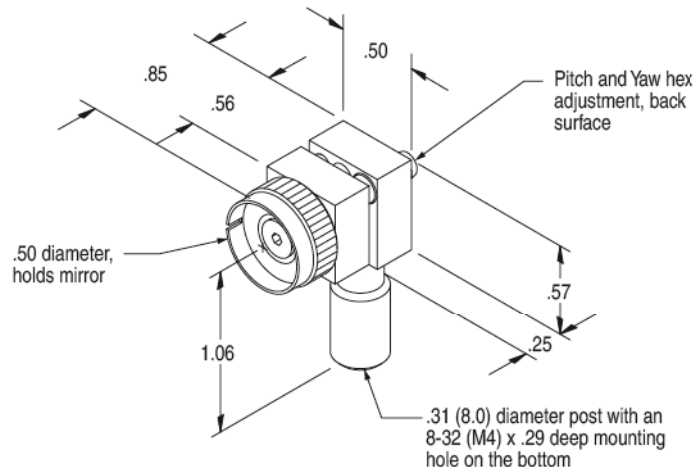
Mirror Mounts

Miniature

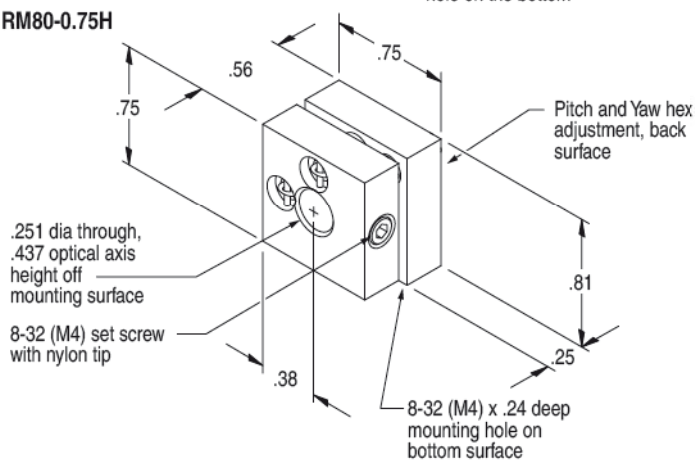
0.5- and 0.75-inch optic / RM80-0.5H and RM80-0.75H

Note that dimensions in parentheses (mm) reflect metric assembly features

RM80-0.5H



RM80-0.75H



RM80-0.5H



RM80-0.75H

Product Features

- 80 pitch adjustment screws
- Hex adjustment
- Vertical or horizontal mounting
- Vacuum compatible versions available upon request

Performance Specifications

Travel / axis	
RM80-0.5H	16°
RM80-0.75H	11°
Minimum controllable motion	
RM80-0.5H	22.8 arc sec.
RM80-0.75H	14.8 arc sec.

Related Products

PR precision rods	132
MPR miniature precision rods	136
OMH1.0 mirror holder	247
OMH.75 mirror holder	247
OMH.5 mirror holder	247

Order Information

research mount, 80TPI, hex drive	RM80-0.5H
research mount, 80TPI, hex drive	RM80-0.75H

Metric Option — for metric assembly features on this product, add '-M' after model number.

Research Mounts

This is an ultra-stable miniature version of our RM series mirror mounts. These 0.75- and 0.50-inch models of our RM use the same precision rolled 80TPI adjustment screws for stable movement. A 5/64 hex wrench is used to adjust the hex drive screws on both models, which minimizes inadvertent movement from having two finger-adjusted control knobs in close proximity.

The RM80.75H is compatible with our OMH series optic holders, and the RM80.50H comes with its own mounting post and 0.5-inch optic holder. Both models have one 8-32 mounting hole on the edge of the back plate for vertical mounting and another 8-32 mounting hole centered on the face of the back plate for horizontal mounting on our PR or MPR series mounting rods.





IXF.50mb monolithic mounting block

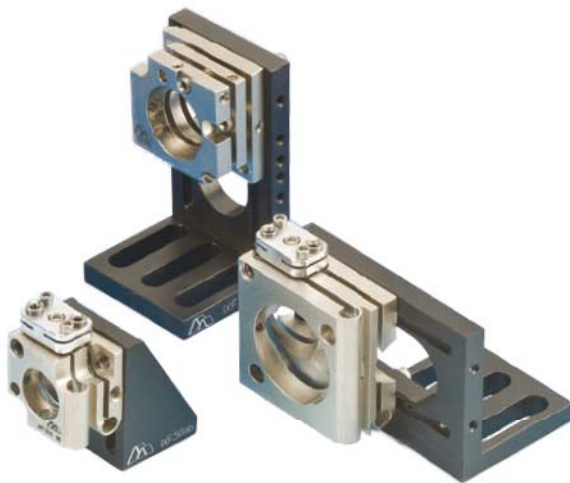
Siskiyou monolithic flexures are machined from a single piece of metal. Hex-adjust only, they are an ideal OEM component, not prone to accidental misalignment. Since they are not stamped, formed or welded, there are no built-in stresses. Rolled threads provide a silky-smooth adjustment feel to the #8 adjusters, which are swaged to prevent over-travel. They're available for 0.5", 0.75", 1.0" and 2.0" diameter optics, for both transmitted light and 45° beamsplitter applications.



IXF.50ti mounted to IXF.50mb

Top adjust versions have a patent-pending mechanism to eliminate rotational torque being applied to the axis under adjustment. Designed to be either panel or bracket-mounted; Siskiyou flexures provide the ultimate in stability, even in challenging environments. The monolithic construction results in substantially better heat conduction from one side of the component to the other, for quicker response to changes in temperature.

They have a hole pattern on the front to accommodate mounting objects other than standard sized optical elements. Aluminum versions are vacuum and UV-compatible out of the box at no extra charge. Nickel plated steel versions have greater mechanical stiffness — great if you're mounting something other than a typical optical element. Single-axis versions can be stacked to provide a wide variety of adjustment axis combinations. Custom / OEM versions available. The continually expanding line up of Siskiyou flexures — a robust choice for your OEM optical layout.

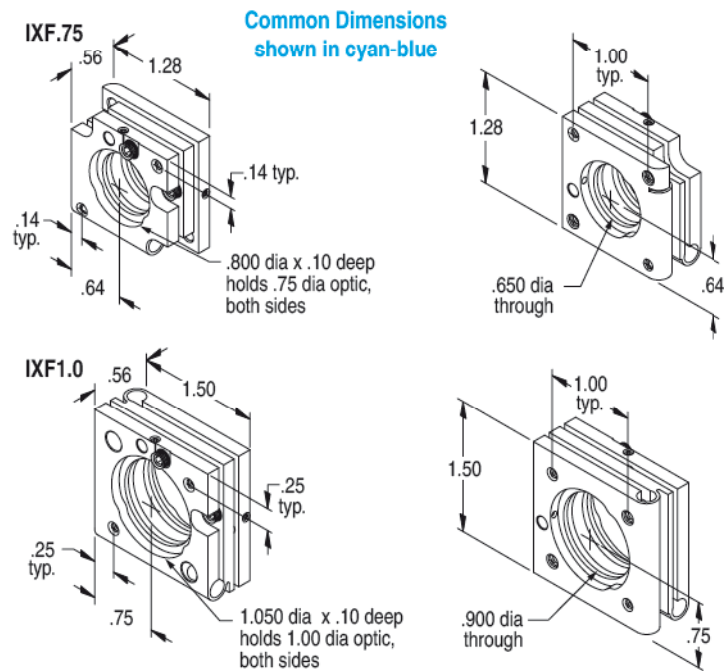
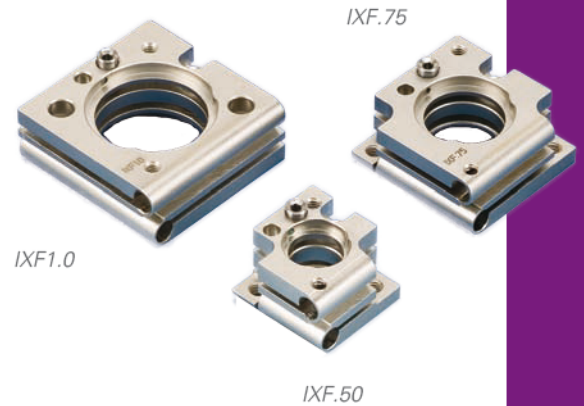
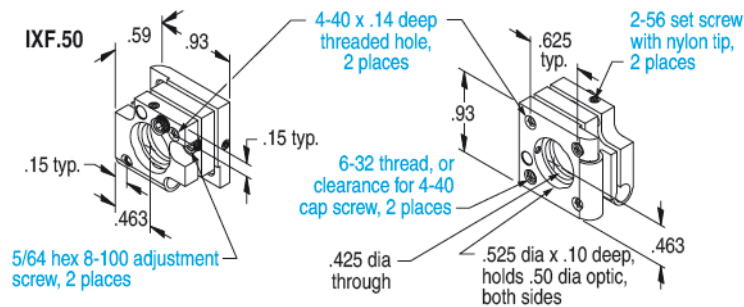


*IXF series flexure mounts,
mounted to related IXFab series
angle brackets*

Mirror Mounts

Flexure Mounts

0.5- to 1.0-inch optic / IXF Series



Flexure Mounts

IXF series monolithic flexure mounts are specifically designed for OEM applications. They have a wide variety of optic mounting options, including bulkhead mounting as either a front adjusted or through-the-bulkhead adjusted mount. They use our 100TPI rolled thread adjustment screws for low stiction fine adjustments and are swaged at the end to prevent over-travel of the mount. The IXF series mounts are manufactured from one solid piece of spring steel, then nickel plated so they will not corrode and can be used in UV laser environments.

Product Features

- 100TPI adjustment screws
- One-piece construction
- Nickel plated

Performance Specifications

Model	Pitch	Yaw	Minimum controllable motion
IXF.50	6°	6°	8.2 arc sec.
IXF.75	6°	6°	5.5 arc sec.
IXF1.0	5°	5°	4.5 arc sec.

Related Products

IXFmb series mounting blocks	242
IXFab series angle brackets	246

Order Information

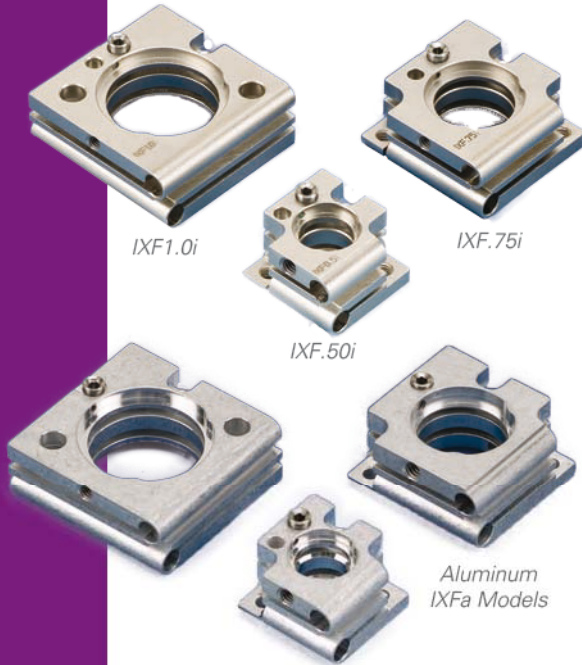
flexure mount, 0.5-inch optic	IXF.50
flexure mount, 0.75-inch optic	IXF.75
flexure mount, 1.0-inch optic	IXF1.0

Mirror Mounts

Flexure Mounts

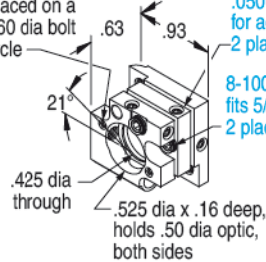
0.5- to 1.0-inch optic / IXFi Series

Note that dimensions in parentheses (mm) reflect metric assembly features



IXF.50i and IXF.50a

2-56 (M2.5) x .18 deep threaded hole, 2 places evenly spaced on a .660 dia bolt circle

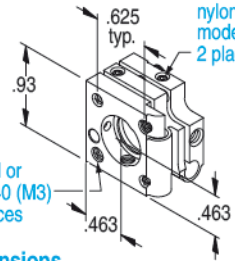


.050 (1.5) hex lock for adjustment screws, 2 places

8-100 adjustment screw, fits 5/64 or 2.0mm hex, 2 places

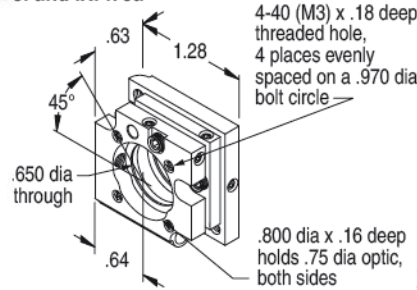
6-32 (M4) thread or clearance for 4-40 (M3) cap screw, 2 places

4-40 (M3) set screw [with nylon tip on *i* models only], 2 places

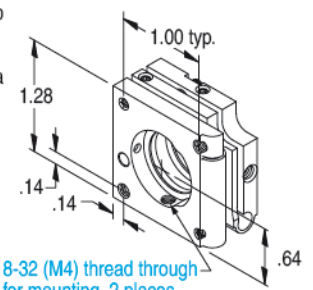


Common Dimensions shown in cyan-blue

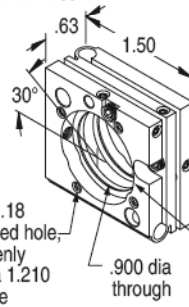
IXF.75i and IXF.75a



4-40 (M3) x .18 deep threaded hole, 4 places evenly spaced on a .970 dia bolt circle

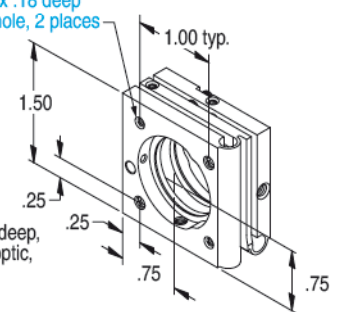


IXF1.0i and IXF1.0a



4-40 (M3) x .18 deep threaded hole, 2 places

1-050 dia x .16 deep, holds 1.00 dia optic, both sides



Product Features

- Lockable 100TPI adjustment screws
- One-piece construction
- Nickel plated
- UV and vacuum compatible versions available

Performance Specifications, also for *a* versions

Model	Pitch	Yaw	Minimum controllable motion
IXF.50i	6°	6°	8.2 arc sec.
IXF.75i	6°	6°	5.5 arc sec.
IXF1.0i	5°	5°	4.5 arc sec.

Related Products

IXFmb series mounting blocks	242
IXFab series angle brackets	246

Order Information

flexure mount, 0.5-inch optic	IXF.50i
flexure mount, 0.75-inch optic	IXF.75i
flexure mount, 1.0-inch optic	IXF1.0i
<i>Aluminum models</i>	
flexure mount, 0.5-inch optic	IXF.50a
flexure mount, 0.75-inch optic	IXF.75a
flexure mount, 1.0-inch optic	IXF1.0a

Metric Option — for metric assembly features on this product, add '-M' after model number.

Flexure Mounts

The IXFi series monolithic flexure mounts are a new line of mounts that are specifically designed for OEM applications. They have a wide variety of optic mounting options, including bulkhead mounting as either a front adjusted or through the bulkhead adjusted mount. In addition, these versions have 8-32 (M4) mounting holes on two edges for post mounting and locks on the adjustment screws.

These mounts use our 100TPI rolled thread adjustment screws for low stiction fine adjustments and are swaged at the end to prevent over-travel of the mount. The IXFi series mounts are manufactured from one solid piece of spring steel, then nickel plated so they will not corrode and can be used in ultraviolet laser environments.

These models are also available in aluminum versions as a lower cost option. Aluminum models exhibit the same performance specifications as the steel models. Custom OEM versions available in steel and aluminum.

Mirror Mounts

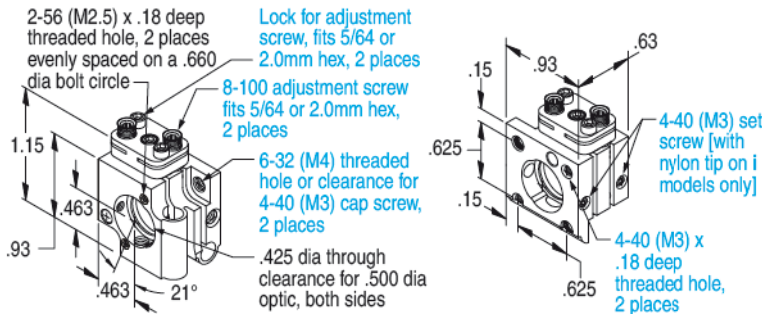
Flexure Mounts

Top Adjustable

0.5- to 1.0-inch optic / IXFi Series

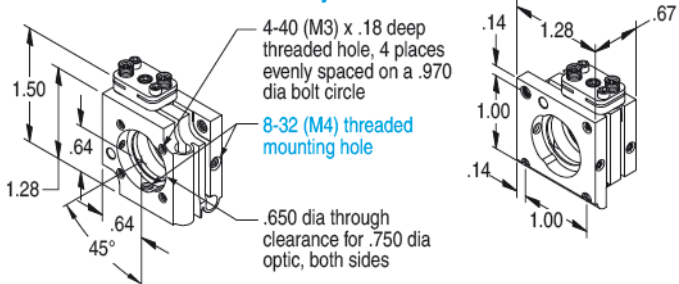
Note that dimensions in parentheses (mm) reflect metric assembly features

IXF.50ti and IXF.50ta

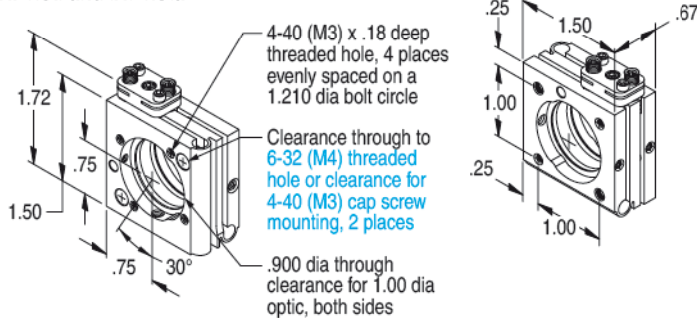


Common Dimensions shown in cyan-blue

IXF.75ti and IXF.75ta



IXF1.0ti and IXF1.0ta



Flexure Mounts, Top Adjustable

The IXFi series monolithic flexure mounts are specifically designed for OEM applications. They have a wide variety of optic mounting options, including bulkhead mounting as either a front adjusted or through-the-bulkhead adjusted mount. We offer two styles of mounting brackets. Additionally, these versions have 8-32 (M4) mounting holes on two edges for post mounting, as well as set screw locks on the adjustment screws.

They use our 100TPI rolled thread adjustment screws for low stiction fine adjustments and are swaged at the end to prevent over-travel of the mount. The IXFi series mounts are manufactured from one solid piece of spring steel, then nickel plated so they will not corrode and can be used in ultraviolet laser environments. These models are also available in aluminum version; for "flight" or vacuum applications. Aluminum models exhibit the same performance specifications as the steel models. Custom OEM versions available in steel and aluminum.

Product Features

- Top adjustable design
- 100TPI lockable adjustment screws
- Nickel plated

Performance Specifications, also for *a* versions

Model	Pitch	Yaw	Minimum controllable motion
IXF.50ti	6°	6°	8.2 arc sec.
IXF.75ti	6°	6°	5.5 arc sec.
IXF1.0ti	5°	5°	4.5 arc sec.

Related Products

IXFmb series mounting blocks	242
IXFab series angle brackets	246

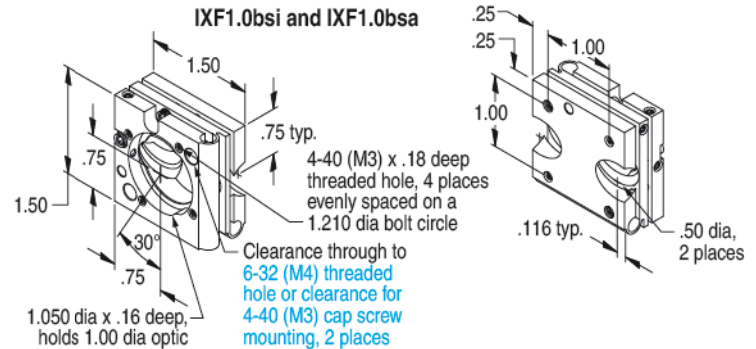
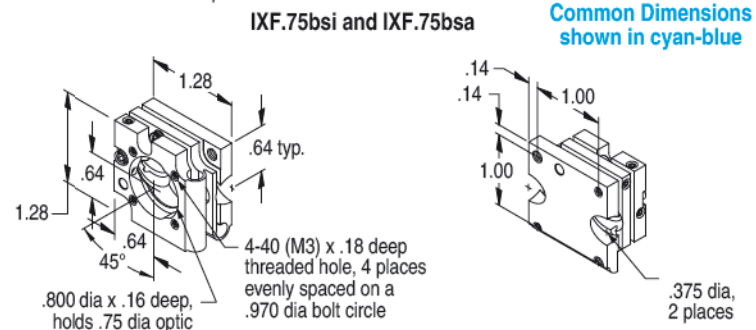
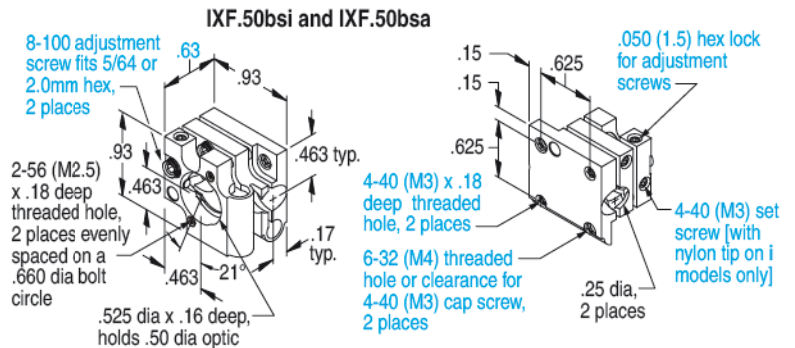
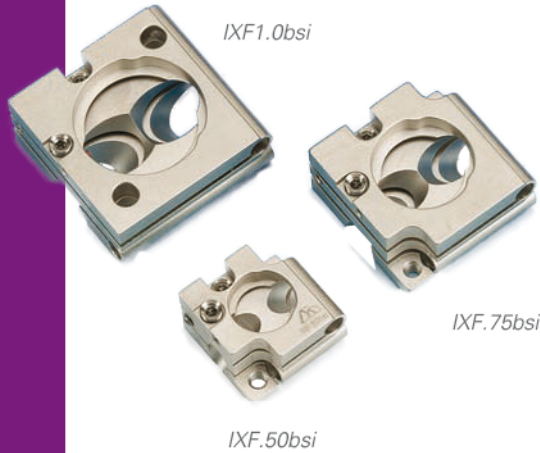
Order Information

flexure mount, 0.5-inch optic, top adjust	IXF.50ti
flexure mount, 0.75-inch optic, top adjust	IXF.75ti
flexure mount, 1.0-inch optic, top adjust	IXF1.0ti
<i>Aluminum models</i>	
flexure mount, 0.5-inch optic, top adjust	IXF.50ta
flexure mount, 0.75-inch optic, top adjust	IXF.75ta
flexure mount, 1.0-inch optic, top adjust	IXF1.0ta

Metric Option — for metric assembly features on this product, add '-M' after model number.

0.5- to 1.0-inch optic / IXFs Series

Note that dimensions in parentheses (mm) reflect metric assembly features



Common Dimensions shown in cyan-blue

Product Features

- Built-in 45° clear apertures
- Monolithic construction
- 100TPI lockable adjustment screws

Performance Specifications, also for a versions

Model	Pitch	Yaw	Minimum controllable motion
IXF.50bsi	6°	6°	8.2 arc sec.
IXF.75bsi	6°	6°	5.5 arc sec.
IXF1.0bsi	5°	5°	4.5 arc sec.

Related Products

IXFmb series mounting blocks	242
IXFab series angle brackets	246

Order Information

flexure mount, 0.5-inch optic, beamsplitter	IXF.50bsi
flexure mount, 0.75-inch optic, beamsplitter	IXF.75bsi
flexure mount, 1.0-inch optic, beamsplitter	IXF1.0bsi
<i>Aluminum models</i>	
flexure mount, 0.5-inch optic, beamsplitter	IXF.50bsa
flexure mount, 0.75-inch optic, beamsplitter	IXF.75bsa
flexure mount, 1.0-inch optic, beamsplitter	IXF1.0bsa

Metric Option — for metric assembly features on this product, add '-M' after model number.

Flexure Mounts, Beamsplitter

The IXFs series are a new version of our popular IXFi monolithic flexure mounts. This new variation incorporates the same features as our IXFis but has clear apertures cut out to maximize beam clearance for beam-splitter applications. These cutouts are set at 45°, and are large enough to accommodate beam angle variations of ±5°.

They use our 100TPI rolled thread adjustment screws for low stiction fine adjustments and are swaged at the end to prevent over-travel of the mount. The IXFs series mounts are manufactured from one solid piece of spring steel, then nickel plated so they will not corrode and can be used in ultraviolet laser environments.

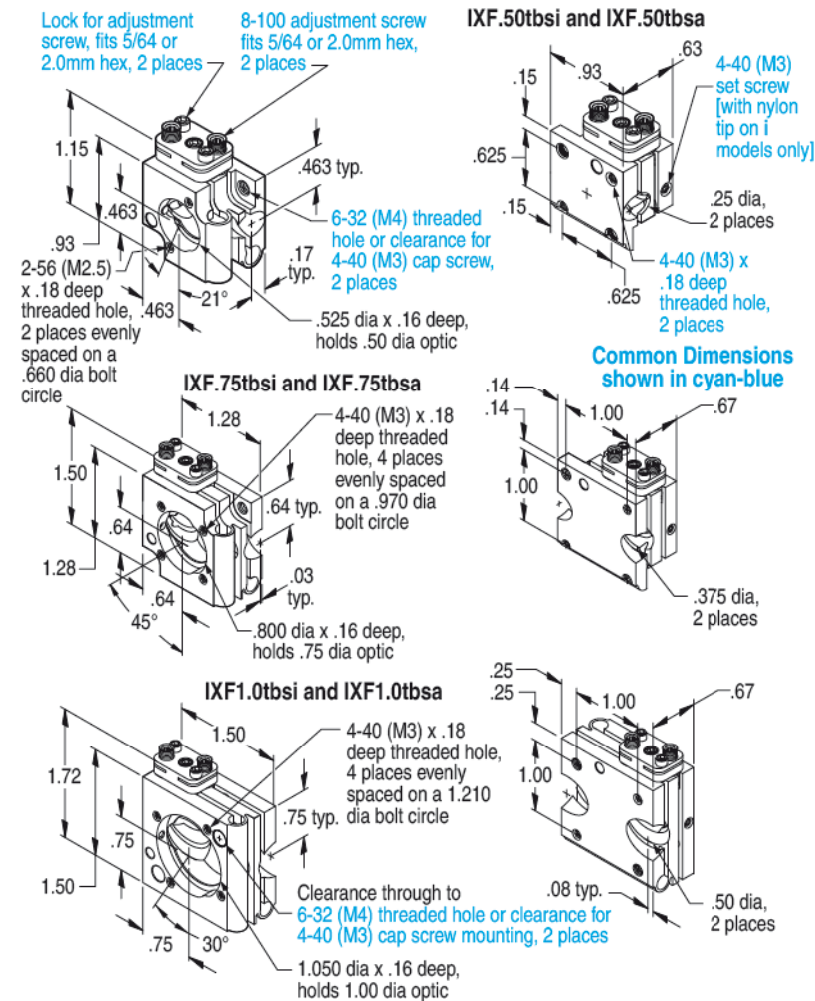
These models are also available in aluminum version; for "flight" or vacuum applications. Aluminum models exhibit the same performance specifications as the steel models. Custom OEM versions available in steel and aluminum.

Flexure Mounts

Beamsplitter, Top Adjustable

0.5- to 1.0-inch optic / IXFtbs Series

Note that dimensions in parentheses (mm) reflect metric assembly features



Flexure Mounts, Beamsplitter, Top Adjustable

The IXFtbs series are a new version of our popular IXFi monolithic flexure mounts. This new variation incorporates the same features as our IXFi but has the tip/tilt adjustments moved to create a top adjusted flexure. This feature is ideal for applications where accessibility to the mount is limited and our standard model can't be accessed. Built into the top adjustment mechanism is a simple split-clamp lock for the 100TPI adjustment screws. These locks work best when they are pre-loaded prior to adjustment, adjustment made, then locked in place. We have also added clear aperture cutouts to maximize beam clearance for beamsplitter applications. These cutouts are set at 45°, but are large enough to accommodate beam angle variations of ±5°. These mounts use our 100TPI rolled thread adjustment screws for low stiction fine adjustments and are swaged at the end to prevent over-travel of the mount. The IXFtbs series mounts are manufactured from one solid piece of spring steel, then nickel plated so they will not corrode and can be used in ultraviolet laser environments. These models are also available in aluminum version; for "flight" or vacuum applications. Aluminum models exhibit the same performance specifications as the steel models. Custom OEM versions available in steel and aluminum.

Product Features

- Top adjustable design
- Built-in 45° clear apertures
- Monolithic construction
- 100TPI lockable adjustment screws

Performance Specifications, also for a versions

Model	Pitch	Yaw	Minimum controllable motion
IXF.50tbsi	6°	6°	8.2 arc sec.
IXF.75tbsi	6°	6°	5.5 arc sec.
IXF1.0tbsi	5°	5°	4.5 arc sec.

Related Products

IXFmb series mounting blocks	242
IXFab series angle brackets	246

Order Information

0.5-inch optic, beamsplitter, top adjust	IXF.50tbsi
0.75-inch optic, beamsplitter, top adjust	IXF.75tbsi
1.0-inch optic, beamsplitter, top adjust	IXF1.0tbsi
<i>Aluminum models</i>	
0.5-inch optic, beamsplitter, top adjust	IXF.50tbsa
0.75-inch optic, beamsplitter, top adjust	IXF.75tbsa
1.0-inch optic, beamsplitter, top adjust	IXF1.0tbsa

Metric Option — for metric assembly features on this product, add '-M' after model number.

Mirror Mounts

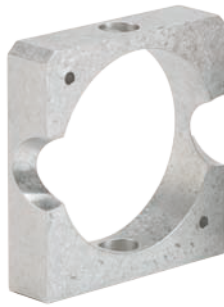
Flexure Mounts

2.0" Optics / IXF2.0i and IXF2.0a

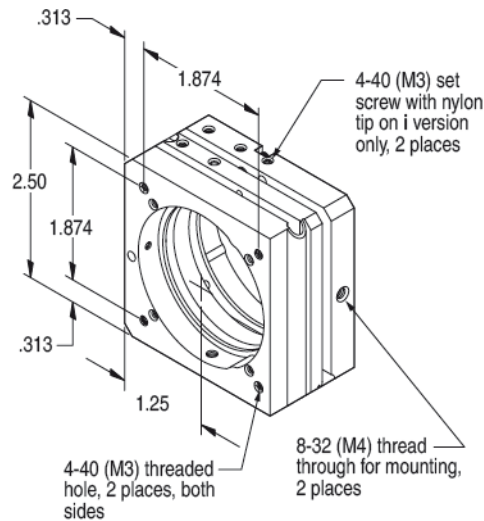
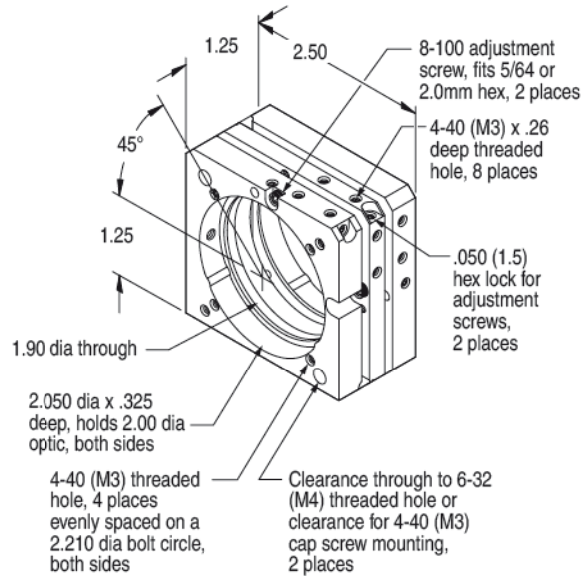
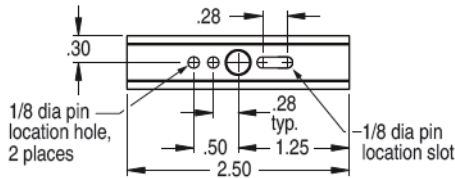
Note that dimensions in parentheses (mm) reflect metric assembly features



IXF2.0a



IXF2.0mb mounting block, page 242, with Bottom View shown below



Product Features

- Lockable 100TPI adjustment screws
- One-piece construction
- Nickel plated
- UV and vacuum compatible versions available

Performance Specifications

Model	Pitch	Yaw	Minimum controllable motion
IXF2.0i	5°	5°	2.4 arc sec.
IXF2.0a	5°	5°	2.4 arc sec.

Related Products

IXF2.0mb mounting block 242

Order Information

flexure mount, 2.0" optic IXF2.0i
flexure mount, 2.0" optic, aluminum model IXF2.0a

Metric Option — for metric assembly features on this product, add '-M' after model number.

We now offer a 2.00" version of our popular IXF monolithic flexure mounts, available in front-adjust standard and beamsplitter configurations. The beamsplitter version has clear aperture cutouts to maximize beam clearance for beamsplitter applications. These cutouts are set at 45°, but are large enough to accommodate variations out to ±5°. These mounts use our 100TPI rolled thread adjustment screws for low stiction fine adjustments and are swaged at the end to prevent over-travel of the mount. Motorized actuators can be mounted for remote control applications. The aluminum version is vacuum compatible as a standard feature. Custom OEM versions available in steel and aluminum.

Mirror Mounts

Flexure Mounts

IXF Mounting Blocks / IXF.50mb, IXF1.75mb and IXF2.0mb



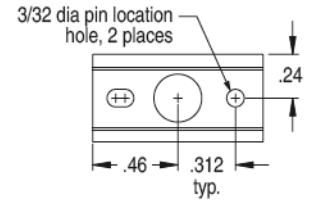
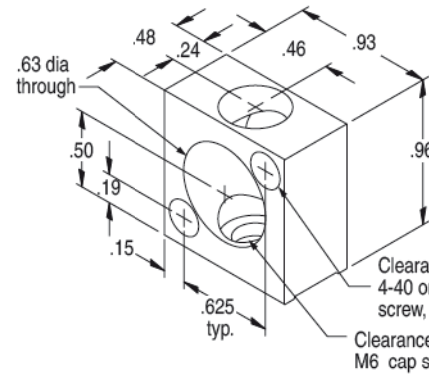
IXF.50mb



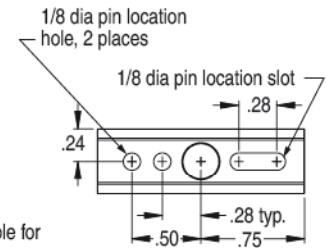
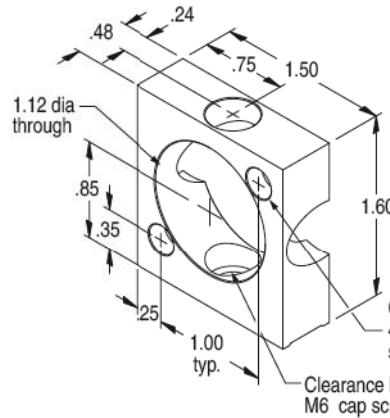
IXF1.75mb



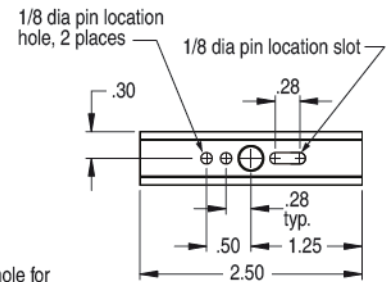
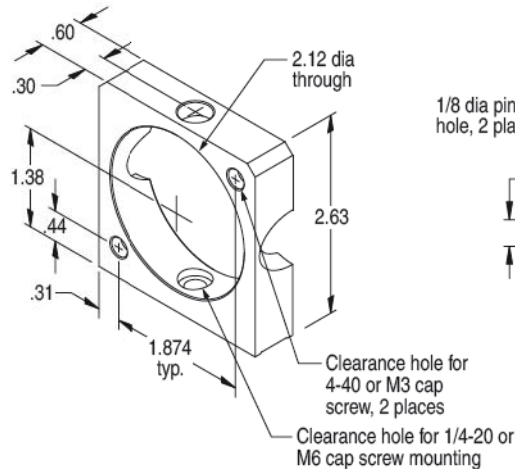
IXF2.0mb



BOTTOM VIEW



BOTTOM VIEW



BOTTOM VIEW

Product Features

- Stable table-top or AS spacer mounting option for the IXF series flexure mounts
- Two pin holes in bottom mounting surface for OEM registration pins
- Monolithic design

Related Products

IXF series flexure mount	235
IXF.i series flexure mount	236
IXF.ti series flexure mount	237
IXF.bs series flexure mount	238
IXF.tbs series flexure mount	239

Order Information

flexure mount, mounting block, 0.5" optic	IXF.50mb
flexure mount, mounting block, 0.75" and 1.0" optic	IXF1.75mb
flexure mount, mounting block, 2.0" optic	IXF2.0mb

The IXF.mb mounting block provides an easy and robust method for mounting Siskiyou monolithic flexures. Pin pockets in the base prevent unwanted rotation and positive lateral attachment — with pins in place, parts can't shift laterally or experience unwanted rotation. They mount from the top, so access in tight places is simple. If you have a tight optical layout, Siskiyou monolithic flexures and mounting blocks provide the ultimate in stability and vibration resistance.

Mirror Mounts

Applications



IXF2.0mb

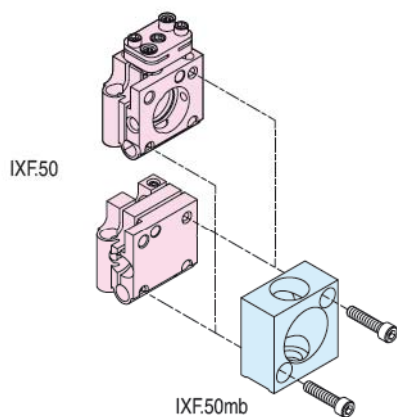


IXF2.0a

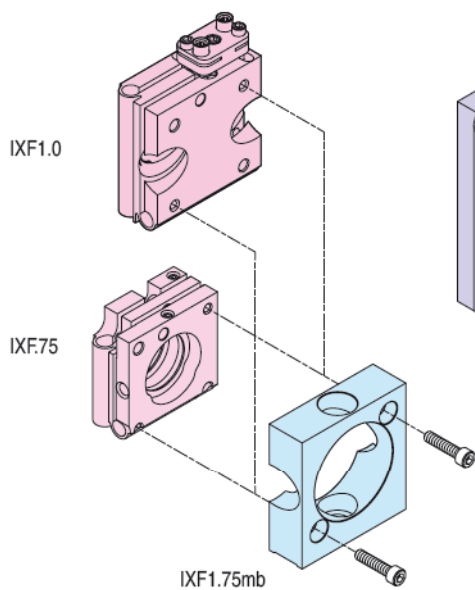
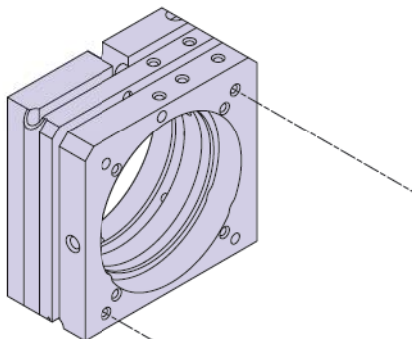


IXF.50mb
with IXF.50ti attached

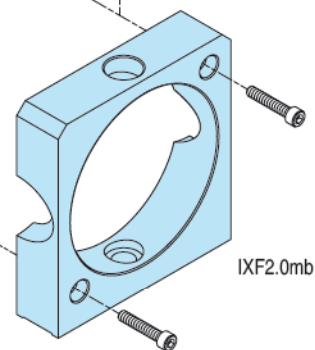
IXF series flexure mounts



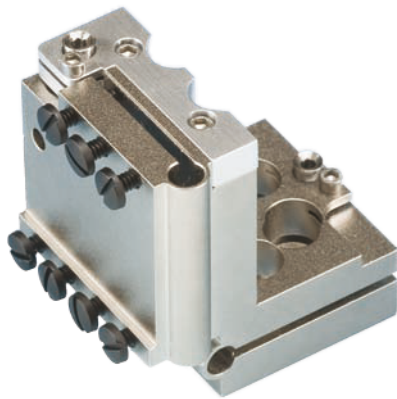
IXF2.0 series flexure mounts



IXFmb series mounting blocks



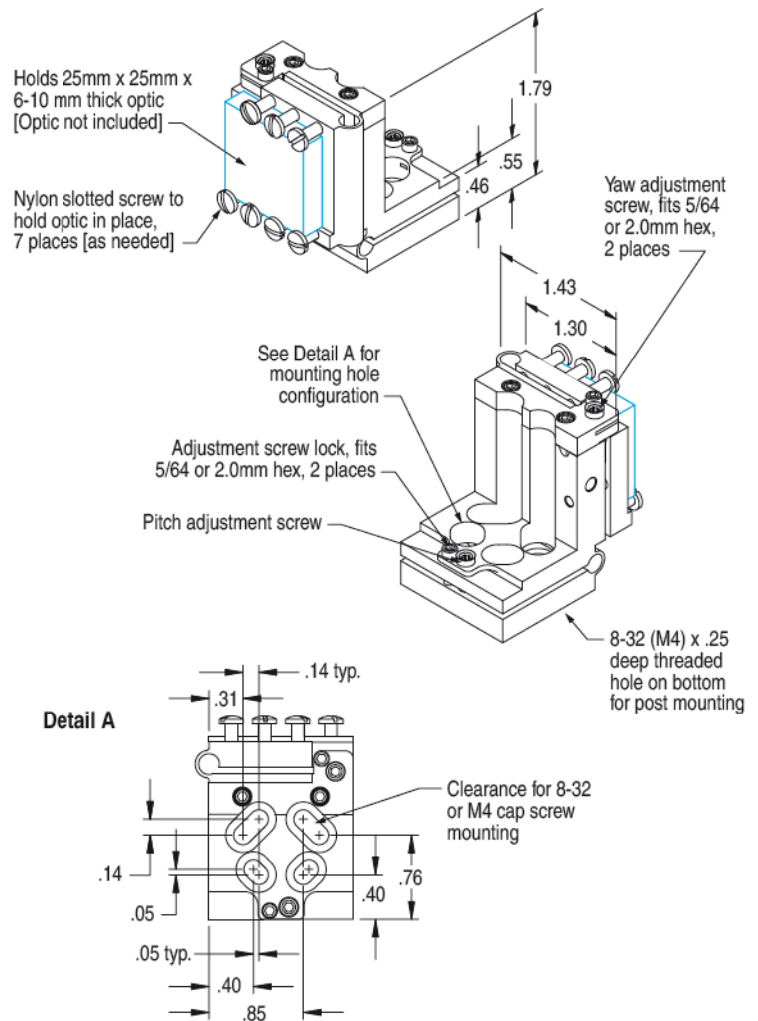
New



IXF.GM

25mm x 30mm Diffraction Grating / IXF.GM

Note that dimensions in parentheses (mm) reflect metric assembly features



Product Features

- Lockable top adjusted grating mount
- Compatible with rotation and linear stages
- Nickel plated

Performance Specifications, both i and a versions

Pitch	6°
Yaw	6°
Minimum controllable motion	5.5 arc sec.

Related Products

RS series manual rotation stages	72
RS series motorized rotation stages	76
.25dt series dovetail stages	38
.5cr series crossed roller stages	48

Order Information

25mm x 30mm grating mount	IXF.GMi
Aluminum models	
25mm x 30mm grating mount	IXF.GMa

Metric Option — for metric assembly features on this product, add '-M' after model number.

Flexure Mounts, Grating

The IXF.GM is a new flexure design that incorporates the same features of our popular IXF series into a top adjusted diffraction grating mount. The grating platform is sized to hold 25mm x 25mm x 6mm, or 25mm x 30mm x 6mm diffraction gratings. The design uses nylon pan-head screws to hold the optic in place with minimal damage.

Built into the top adjustment mechanism is a simple split-clamp lock for the 100TPI adjustment screws. These locks work best when they are pre-loaded prior to adjustment, the adjustment is made and then locked in place.

The base of the IXF.GM has a single 8-32 (M4) tapped hole for post mounting. Also included are four counterbored slots that can be accessed from the top for mounting to our RS series rotation stages or our .25dt dovetail and .5cr crossed roller stages for added coarse alignment.

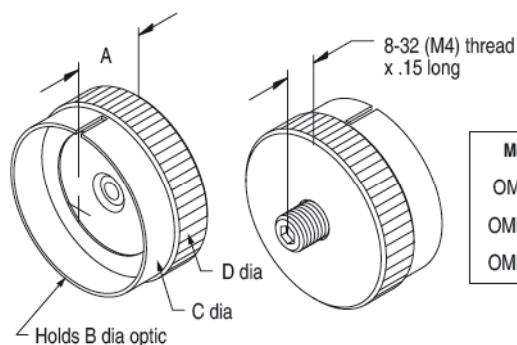
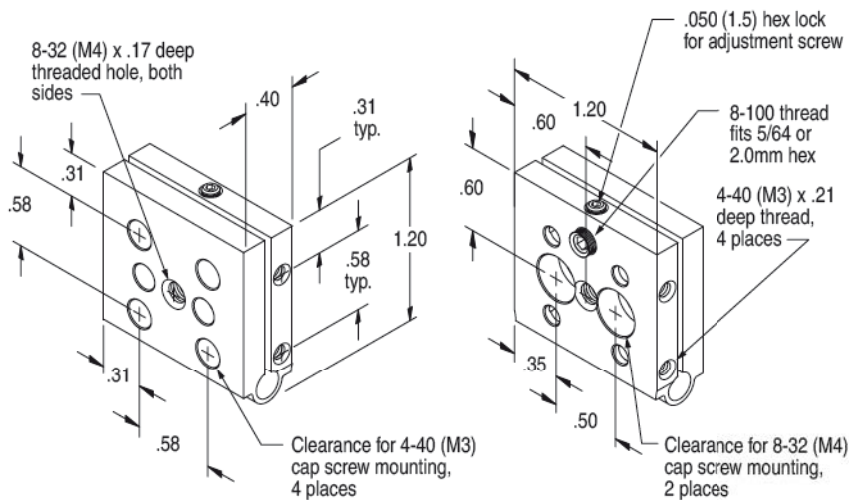
Mirror Mounts

Flexure Mounts

Single-Axis

IXF.S and OMH.T Series

Note that dimensions in parentheses (mm) reflect metric assembly features



Model	A	B	C	D
OMH.5T	.30	.50	.53	.56
OMH.75T	.35	.75	.78	.81
OMH1.0T	.38	1.00	1.03	1.06



Flexure Mounts, Single-Axis

The IXF.S single-axis flexure is designed with the same features as our popular IXFi series flexure mounts on page 236. We have split the two-axis design into a modular design that is useful where only one-axis for tilt is required. The base of the IXF.S has a single 8-32 (M4) tapped hole for mounting, as well as one on the top for attachment. Also included are two counterbored holes that can be accessed from the top for mounting to our .25dt dovetail and .5cr crossed roller stages for translation. On the edge of this mount are 4-40 tapped holes that correspond with clearance counterbores that are accessed from the bottom. These are used to create upright tip/tilt mounts as shown in the insert on this page.

These mounts use our 100TPI rolled thread adjustment screws for low stiction fine adjustments and are swaged at the end to prevent over-travel of the mount. The IXF.S series mounts are manufactured from one solid piece of spring steel, then nickel plated so they will not corrode and can be used in ultraviolet laser environments.

These models are also available in aluminum versions as a lower cost option. Aluminum models exhibit the same performance specifications as the steel models. Custom OEM configurations are available in the aluminum version only.

Product Features

- Modular design
- 100TPI lockable adjustment screw
- Monolithic construction

Performance Specifications, both i and a versions

Travel	5°
Minimum controllable motion	4.5 arc sec.

Related Products

.25dt series dovetail stages	38
.5cr series crossed roller stages	48

Order Information

single-axis flexure mount	IXF.Si
<i>Aluminum models</i>	
single-axis flexure mount	IXF.Sa
optical mount, 0.5-inch	OMH.5T
optical mount, 0.75-inch	OMH.75T
optical mount, 1.0-inch	OMH1.0T

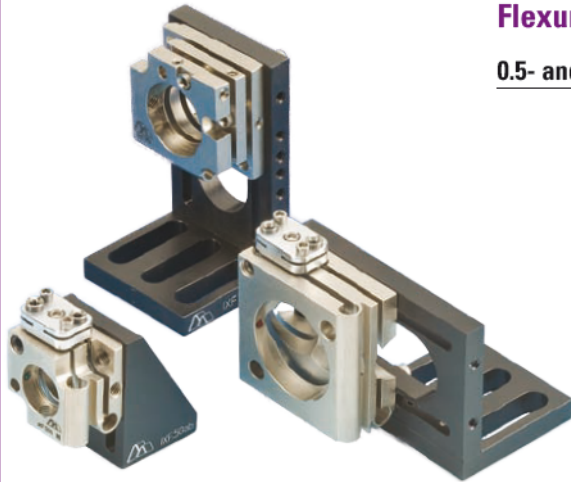
Metric Option — for metric assembly features on this product, add '-M' after model number.

Mirror Mounts

Flexure Mounts

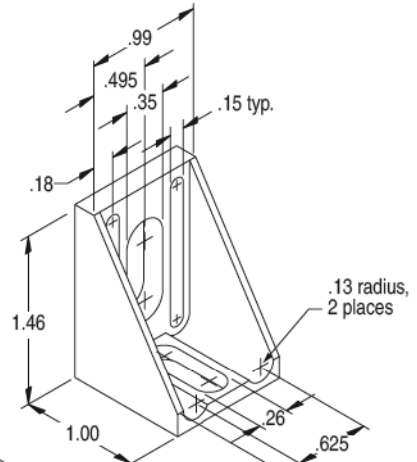
Angle Brackets

0.5- and 0.75-inch / IXF.50ab and IXF1.75ab

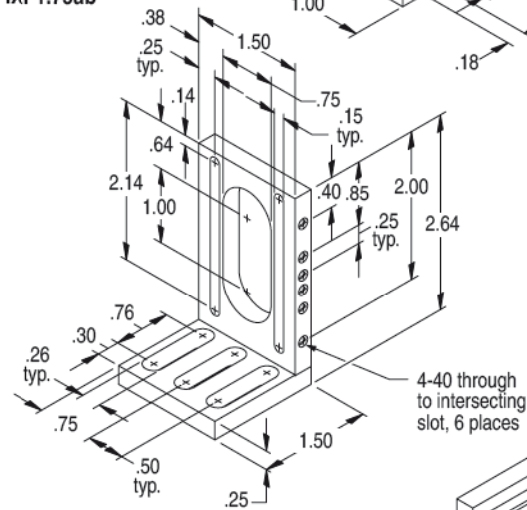


IXF Angle Brackets

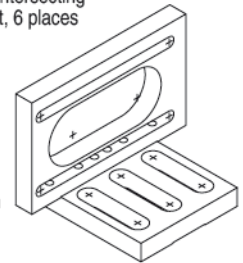
IXF.50ab



IXF1.75ab



The IXF1.75ab may also be configured in this orientation.



Product Features

- Stable mounting option for the IXF series flexure mounts
- Monolithic design for the 0.5-inch version
- Modular design for 0.75- and 1.0-inch versions

Related Products

IXF series flexure mount	235
IXF.i series flexure mount	236
IXF.ti series flexure mount	237
IXF.bs series flexure mount	238
IXF.tbs series flexure mount	239

Order Information

flexure mount, angle bracket	IXF.50ab
flexure mount, angle bracket	IXF1.75ab

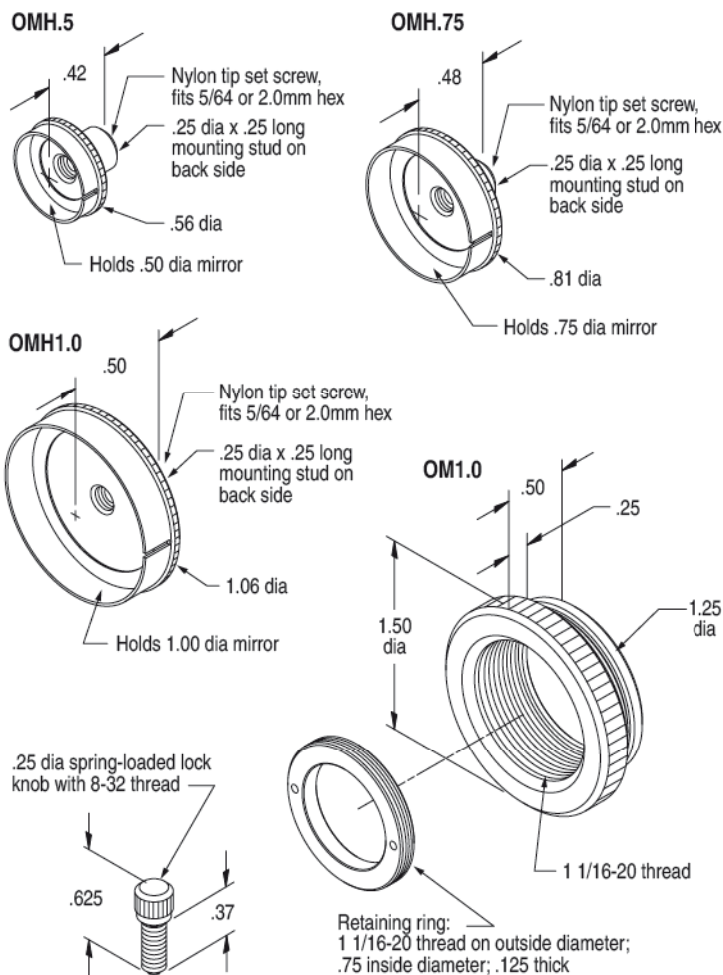
Flexure Mounts, Angle Brackets

The IXF.50ab is a monolithic one-piece angle bracket designed to mount ALL of our IXF.5 series flexure mounts and provide the utmost stability. They are built from a single piece of aluminum and anodized black. The IXF1.75ab is a modular design that is a stable mounting option for our IXF1.0 and IXF.75 series of flexure mounts. The two-piece design allows multiple mounting configurations as shown in the photo on this page. The two-piece design maximizes the clear aperture for our beamsplitter versions of the IXF series on page 239.

Mirror Mounts

Mirror Holders & Adapter

0.5- to 1.0-inch optic / OMH Series



Optic Mirror Holders

The OMH series of optical mirror holders are compatible with our IM100 series mirror mounts. The aluminum construction is a cost-effective way to hold 0.5-, 0.75-, and 1.0-inch mirrors.

All models have a 0.25-inch mounting stud on the back that fits into the front face of our IM series mounts. There is a set screw in the stud to simplify the changing of damaged optics. The set screw can be removed to mount the OMH series of holders on the end of PR or MPR series rods.

Optic Mount

The OM1.0 is designed to mount 1.0-inch optics into our IM100.T2 mirror mounts. This 1.0-inch optic holder is ideal for polarizers, beamsplitters, and quarter-wave plates. The OM1.0 comes complete with Delrin® retaining rings and a spring-loaded lock knob to facilitate mounting. Once the spring-loaded lock knob is mounted into the mirror mount, the OM1.0 can be quickly snapped in and out for optic replacement. The outside edge of the OM1.0 is knurled for non-slip finger rotation.

Product Features

- 0.5-, 0.75-, and 1.0-inch mirrors
- Compatible with RM and IM series mounts
- Vacuum compatible versions available upon request

Related Products

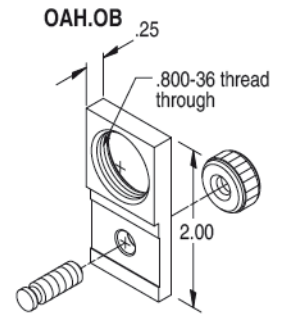
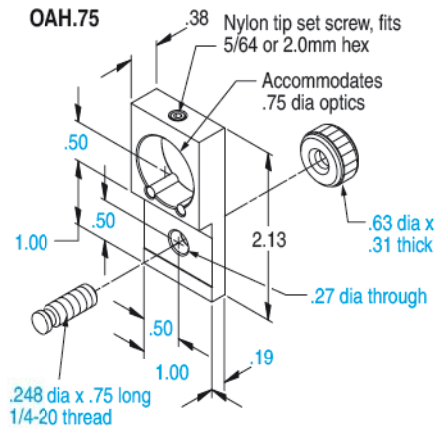
RM80 miniature optic mounts	beginning 232
IM100.P & .T series mirror mounts	beginning 206
IXM100.P & .T series mirror mounts	beginning 214

Order Information

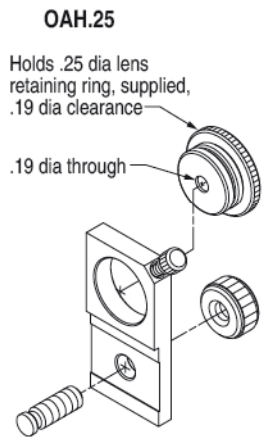
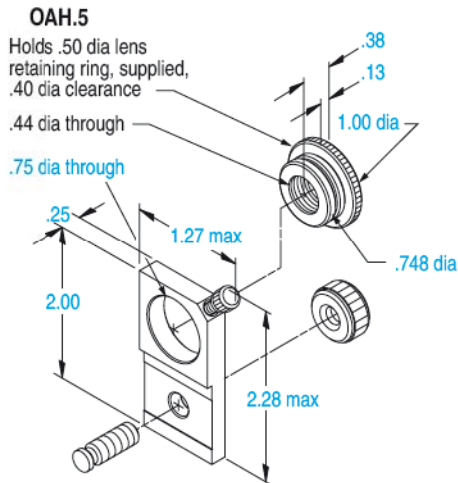
optical mirror holder, 0.5 inch optic	OMH.5
optical mirror holder, 0.75 inch optic	OMH.75
optical mirror holder, 1.0 inch optic	OMH1.0
optical mount adapter, 1.0 inch optic	OM1.0



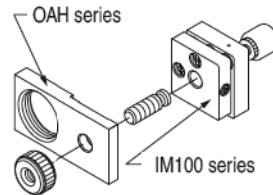
OAH Series



Common Dimensions shown in cyan-blue



Application



Off-Axis Holders

Our OAH series of off-axis optic holders are designed to be mounted on the front face of RM80-1 and IM100-1 mirror mounts. These off-axis mounts come with all the mounting hardware necessary to be attached in four different orientations

on our mounts. Their small design is ideal for optics in the 0.25- to 0.75-inch range.

The OAH series of optic holders are designed to facilitate mounting of optics in close proximity to one another. The off-axis concept allows the mirror mount to be positioned to one side (right, left, top, or bottom) of the beam path. The OAH optic holder aligns the optic in the beam path and still retains the positioning features of the mirror mount. By using this approach and staggering mounts from side to side, optics may be mounted within 1/4-inch of each other.

Product Features

- Compatible with RM and IM series mounts
- Compact design for close optics stacking
- Mounting hardware included
- Vacuum compatible versions available upon request

Related Products

IM100.1 mirror mount	231
RM80-1 mirror mount	232

Order Information

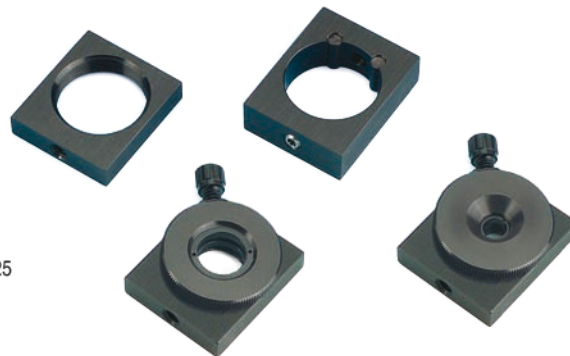
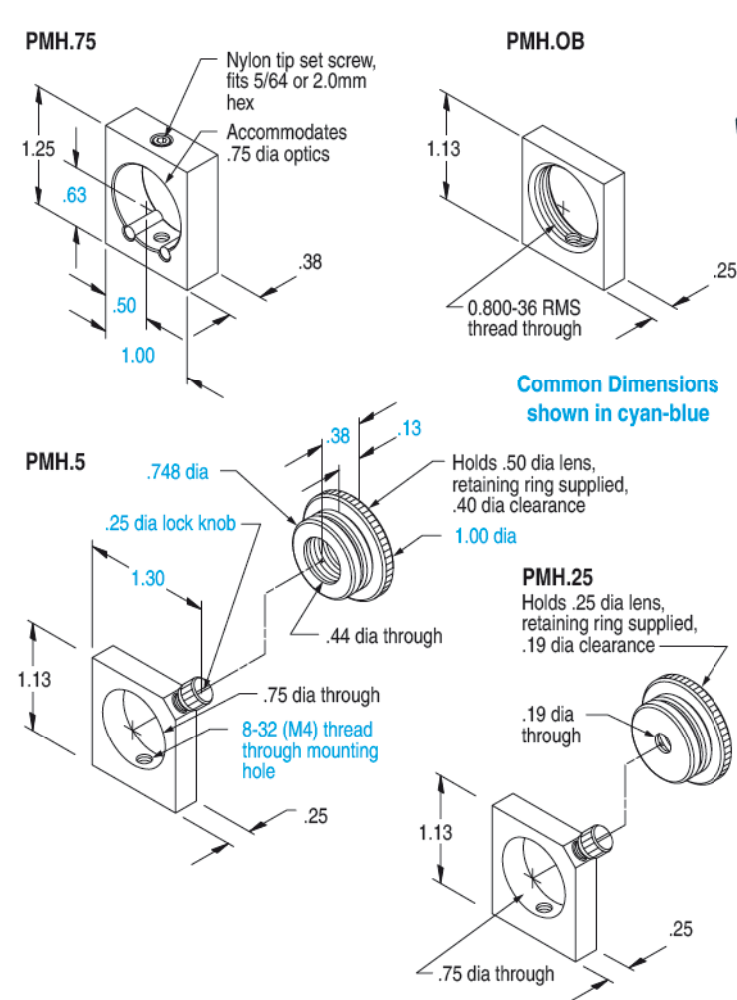
off-axis holder, 0.75 inch optic	OAH.75
off-axis holder, microscope objective	OAH.OB
off-axis holder, 0.5 inch optic	OAH.5
off-axis holder, 0.25 inch optic	OAH.25

Optic Mounts

Rod

0.25- to 0.75-inch optic / PMH Series

Note that dimensions in parentheses (mm) reflect metric assembly features



PMH Series

Post Mount Holders

Our PMH series of post mounted optic holders are designed to be mounted on our MPR series miniature precision rods. Their small design is ideal for optics in the 0.25- to 0.75-inch range.

The PMH series of optic holders are ideal for mounting optics in smaller layouts. The post mount design works well with our MPR miniature rods. By combining these holders and miniature rod systems with our MDR dovetail rail systems, a multitude of miniature experiments can be performed.

Product Features

- Compatible with PR and MPR series rods
- Microscope objective, 0.25-, 0.5-, or 0.75-inch optic versions
- Compact design for close optics stacking
- Vacuum compatible versions available upon request

Related Products

MPR miniature precision rods 136

Order Information

post mount holder, 0.75 inch optic	PMH.75
post mount holder, microscope objective	PMH.OB
post mount holder, 0.5 inch optic	PMH.5
post mount holder, 0.25 inch optic	PMH.25

Metric Option — for metric assembly features on this product, add '-M' after model number.

Miniature Shutter

Post-mount and Off-axis / PMH-SA and OAH-SA

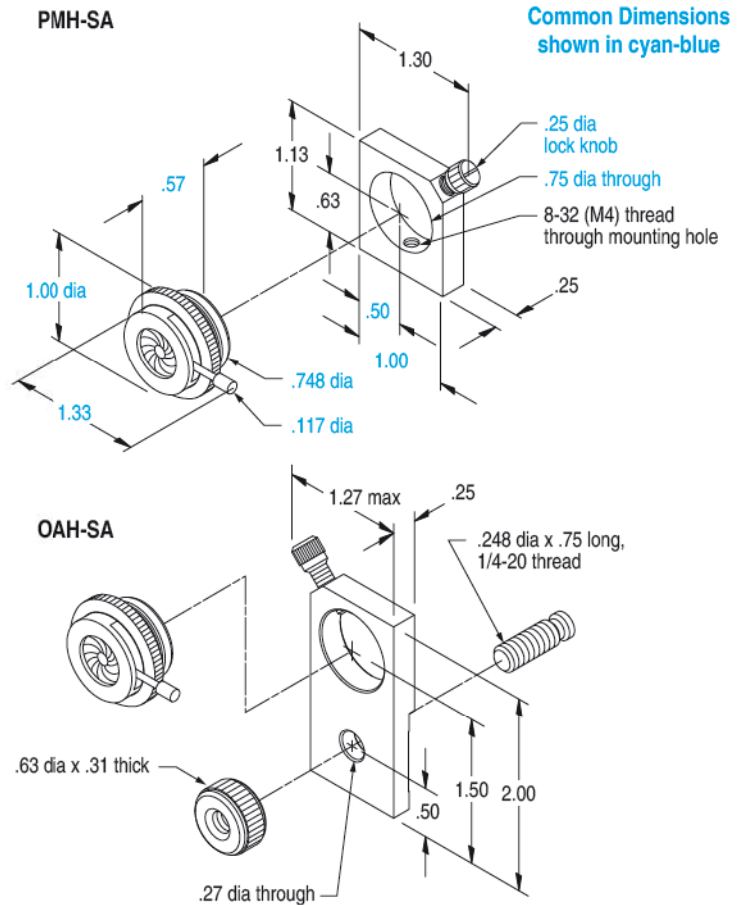
Note that dimensions in parentheses (mm) reflect metric assembly features



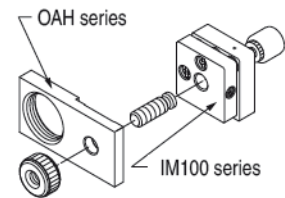
PMH-SA



OAH-SA



Application



Product Features

- Rod mount or off-axis mount versions
- Shutter rotates for optimal lever location
- 12 mm full open to 1 mm full closed
- Vacuum compatible versions available upon request

Related Products

MPR rods	136
IM100.1H mirror mount	231
IM100.1 miniature mount	231
RM80-1H research mount	232
RM80-1 research mount	232
RM80-0.5H research mount	233
RM80-0.75H research mount	233

Order Information

post mount holder, shutter	PMH-SA
off-axis holder, shutter	OAH-SA

Metric Option — for metric assembly features on this product, add '-M' after model number.

Rod Mount & Off-Axis Holders

Our off-axis and post mounted 0.5-inch shutters are ideal for spatial filter targeting. These precision shutters are made in Germany and have been adapted to our OAH and PMH mounting system.

The OAH off-axis shutter is designed to facilitate mounting in close proximity to other optics. The off-axis concept allows the mirror mount to be positioned to one side (right, left, top, or bottom) of the beam path. The OAH optic holder aligns the optic in the beam path and still retains the positioning features of the mirror mount. By using this approach and staggering mounts from side to side, optics may be mounted within 1/4-inch of each other.

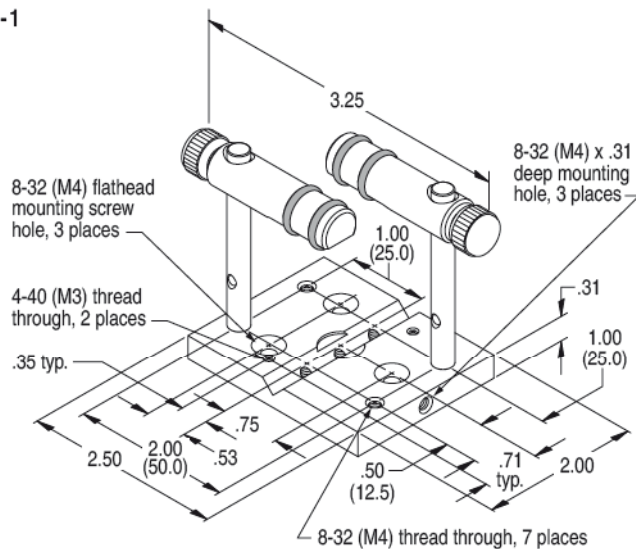
Mirror Mounts

Adapter, Prism Table

IM100.T2 compatible / T-1

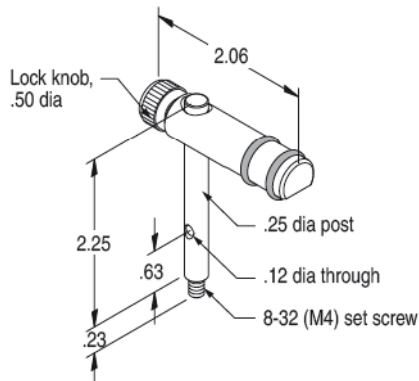
Note that dimensions in parentheses (mm) reflect metric assembly features

T-1

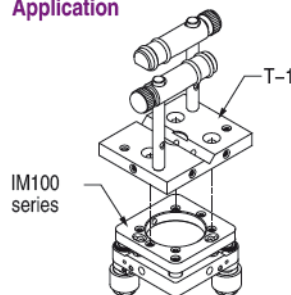


T-1 with T-1C replacement clamp

T-1C



Application



Prism Table

The T-1 prism table is designed to mount prisms and beamsplitter cubes to our IM100.T2 mirror mounts. This versatile design incorporates T-1C clamps with a self-aligning V-groove and O-ring pads to ensure secure damage-free holding.

The T-1 prism table has a variety of 8-32 mounting holes for fixed vertical or horizontal optic mounting. T-1C clamps may be purchased separately for attachment to our IM100.P2 mirror mount or for your specific mounting requirements.

Product Features

- Compatible with RM and IM series mounts
- Adjustable non-marring optic clamps
- Centering V-groove
- Vacuum compatible versions available upon request

Related Products

IM100.P2 lens mount	206
IM100.T2 lens mount	206

Order Information

prism table	T-1
prism table clamp	T-1C

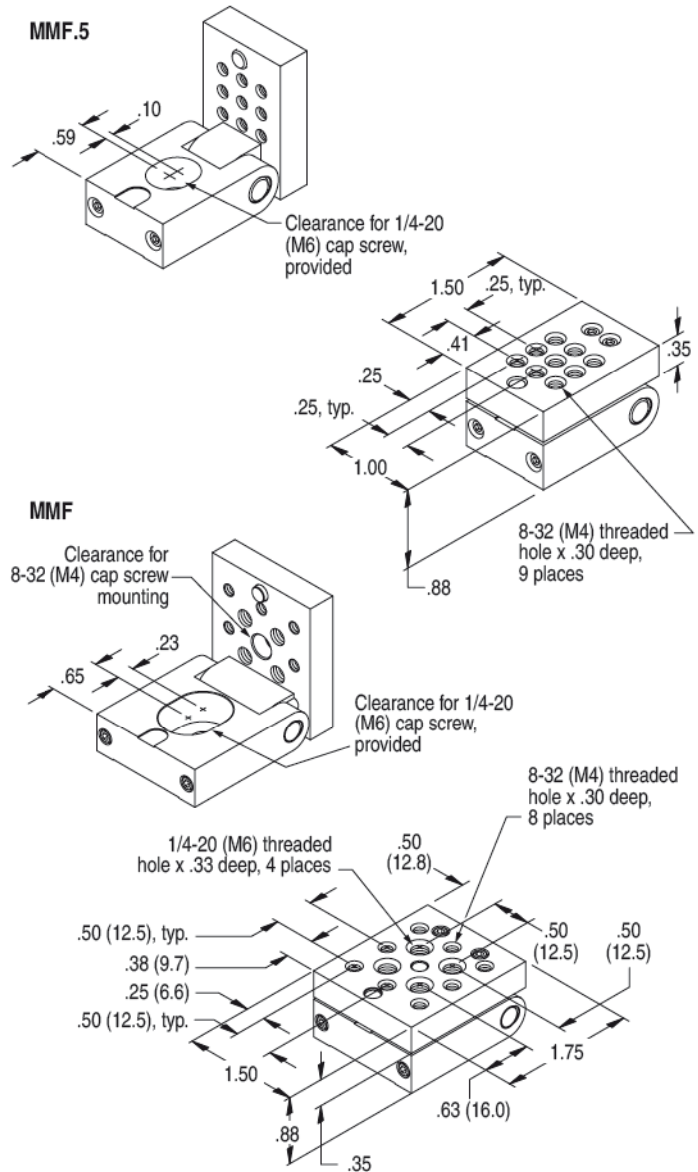
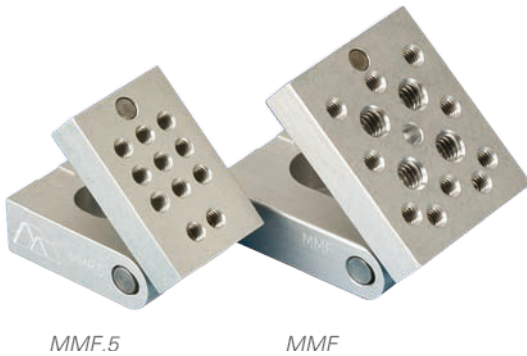
Metric Option — for metric assembly features on this product, add '-M' after model number.

Mirror Mounts

Mirror Mount Flipper

MMF.5 and MMF

Note that dimensions in parentheses (mm) reflect metric assembly features



Product Features

- Solid aluminum construction
- Unique zero-wobble pivot design
- 5 arc second repeatability
- Vacuum compatible versions available upon request

Related Products

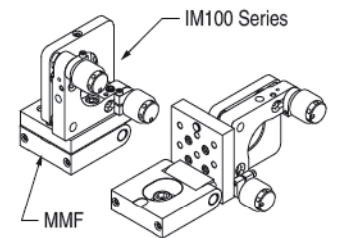
IM series mirror mount	beginning 204
IXM series industrial mount	beginning 214
IVM series mirror mount	224

Order Information

mirror mount flipper	MMF.5
mirror mount flipper	MMF

Metric Option — for metric assembly features on this product, add '-M' after model number.

Application



Mirror Mount Flipper

The MMF mirror mount flipper is designed to be used in set-ups where optics or detectors need to be in place for one experiment, and then removed for another. The unique zero-wobble pivot design ensures sub-arc second repeatability. A simple magnetic coupler holds the two plates together in the closed position.