

# SPECIFICATIONS

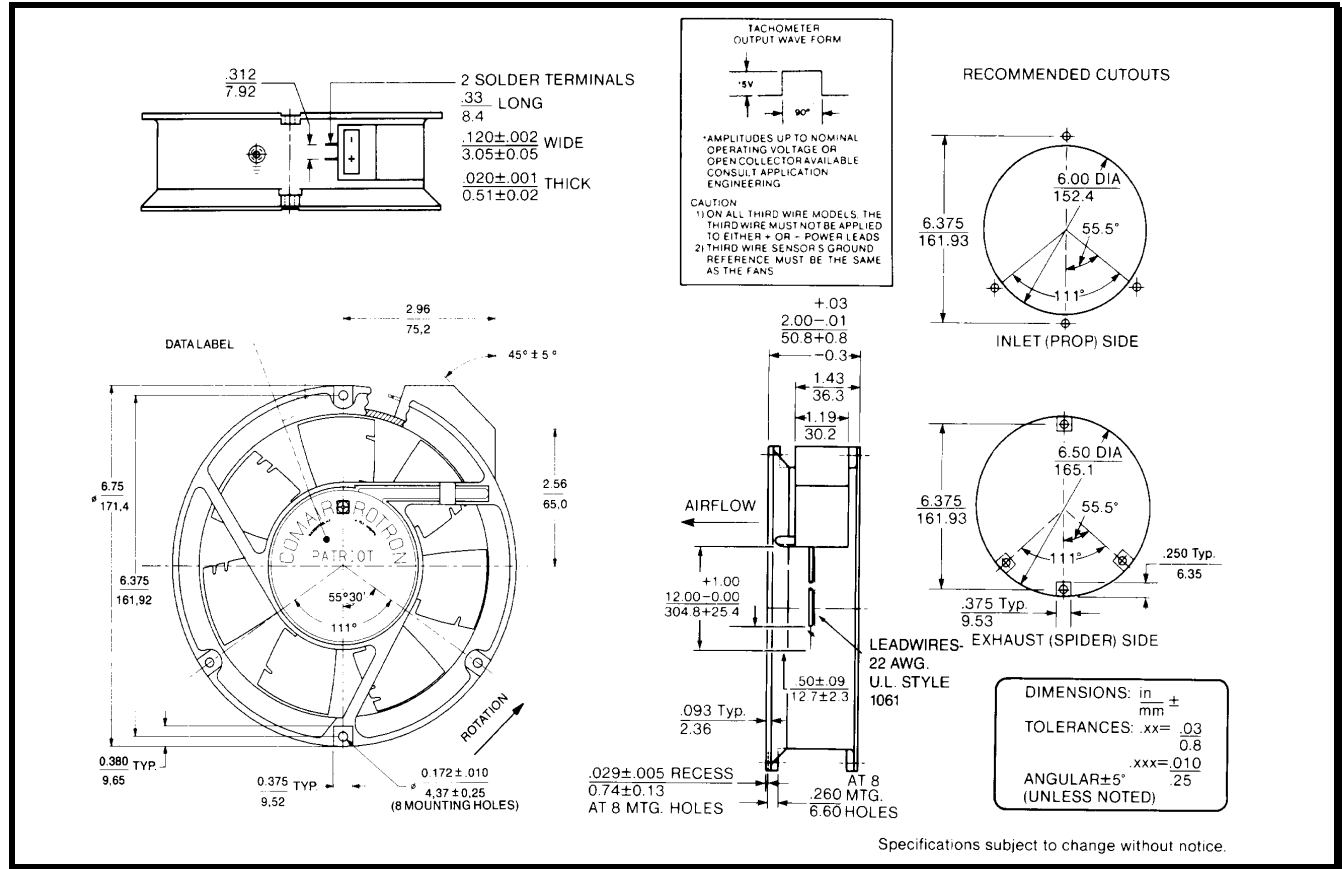
(RoHS Compliant)



**Model Number:** PQ12B4  
**Part Number:** 19031083A

July 17, 2013

## Mechanical Drawing:



### Motor:

Nominal Voltage = 12 vdc  
 Operating Voltage Range = 9 – 14 vdc  
 Nominal Running Current = 2.260amps  
 Locked Rotor Current = 4.00 amps  
 Running Power = 25.2 watts  
 Average Speed = 3400 RPM  
 Bearings = Ball  
 Air Flow = 235 CFM  
 Acoustic = 51.2 dBA

### Construction:

Venturi: Single piece, die-cast aluminum, Black  
 Propeller: Plastic, Black, UL 94V-0

### Life Expectancy:

This fan is designed for continuous duty life of 75,000 hours at 40°C.

### Additional Features:

Brushless DC Motor  
 Polarity Protected  
 Locked Rotor Protection  
 Automatic Restart Capability  
 Operating Temperature: -10°C to 70°C  
 Storage Temperature: -40°C to 85°C

### Termination:

Two 0.110 Terminals

### Agency Approvals:

UL, CE