

- 1.MATERIAL: D-ZLAF52LAM
 2.ASSUME 0.250mm BK7 WINDOW FOR LASER DIODE
 3.NOMINAL PARAMETERS:
 WAVELENGTH:780 nm
 NUMERICAL APERTURE:0.6
 EFFECTIVE FOCAL LENGTH: 4.5mm
 WORKING DISTANCE: 3.1mm

Notes :

1. Evenasphere Formula are defined by :

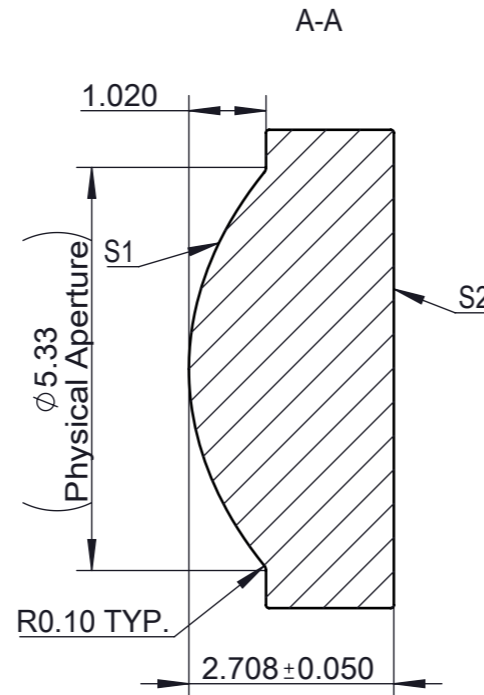
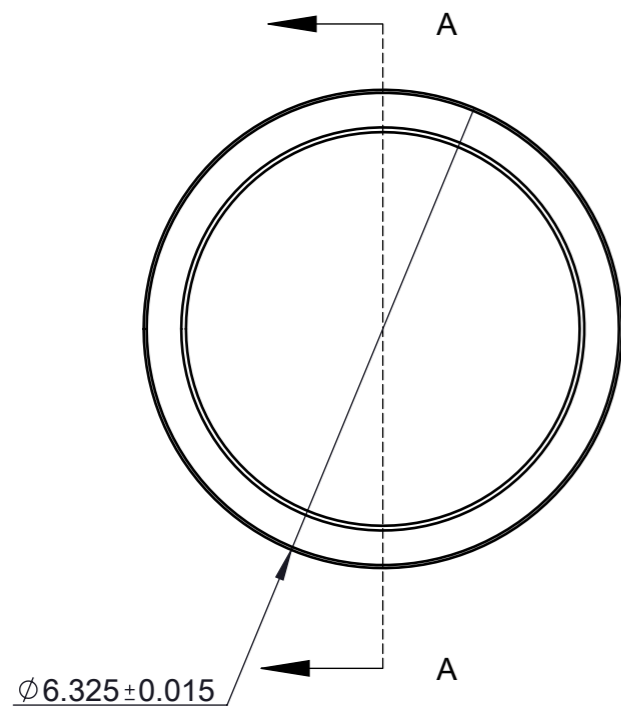
$$Z(r) = \frac{r^2 / R_c}{1 + \sqrt{1 - (1 + K) (r / R_c)^2}} + \sum_i A_{2i} r^{2i}$$

2. The coefficients are as below :

| | S1 | S2 |
|-----------------|----------------|--------------|
| R _c | 3.576018 | 0.000000 |
| K | -0.999999 | 0.000000 |
| A ₂ | 0.000000E+00 | 0.000000E+00 |
| A ₄ | 1.131243E-003 | 0.000000E0.0 |
| A ₆ | 6.899212E-007 | 0.000000E0.0 |
| A ₈ | -5.452995E-007 | 0.000000E0.0 |
| A ₁₀ | -2.595707E-008 | 0.000000E+00 |
| A ₁₂ | 6.958261E-010 | 0.000000E+00 |
| A ₁₄ | 0.000000E0.0 | 0.000000E+00 |
| A ₁₆ | 0.000000E0.0 | 0.000000E+00 |

3.REQUIREMENT

| | S1 | S2 |
|-----------------|--------------------|--------|
| Surface quality | S/D 40/20 | |
| Clear Aperture | 5.07mm | 3.93mm |
| WFE | RMS<0.100 λ @633nm | |
| Roughness | Ra<5nm | |



Distributor

 where technologies meet solutions
 info@amstechnologies.com
 www.amstechnologies-webshop.com
 Contact us

| Rev | ECO | Notes | Sign | Date |
|-----|-----|---------|------|----------|
| A | 01 | Initial | C | 2021/7/6 |

MATERIAL
D-ZLAF52LAM

UNLESS OTHERWISE SPECIFIED

Unit is MM.

DEFAULT TOLERANCE:

.X ±0.25

.XX ±0.10

.XXX ±0.025

Angles: ±0.5°



光皓光学 (江苏) 有限公司
 GH Optics(Jiangsu) Co.,Ltd.

图幅 单位 第一视角

A4 公制

LE4560UC-10

A

第 1 张 共 1 张