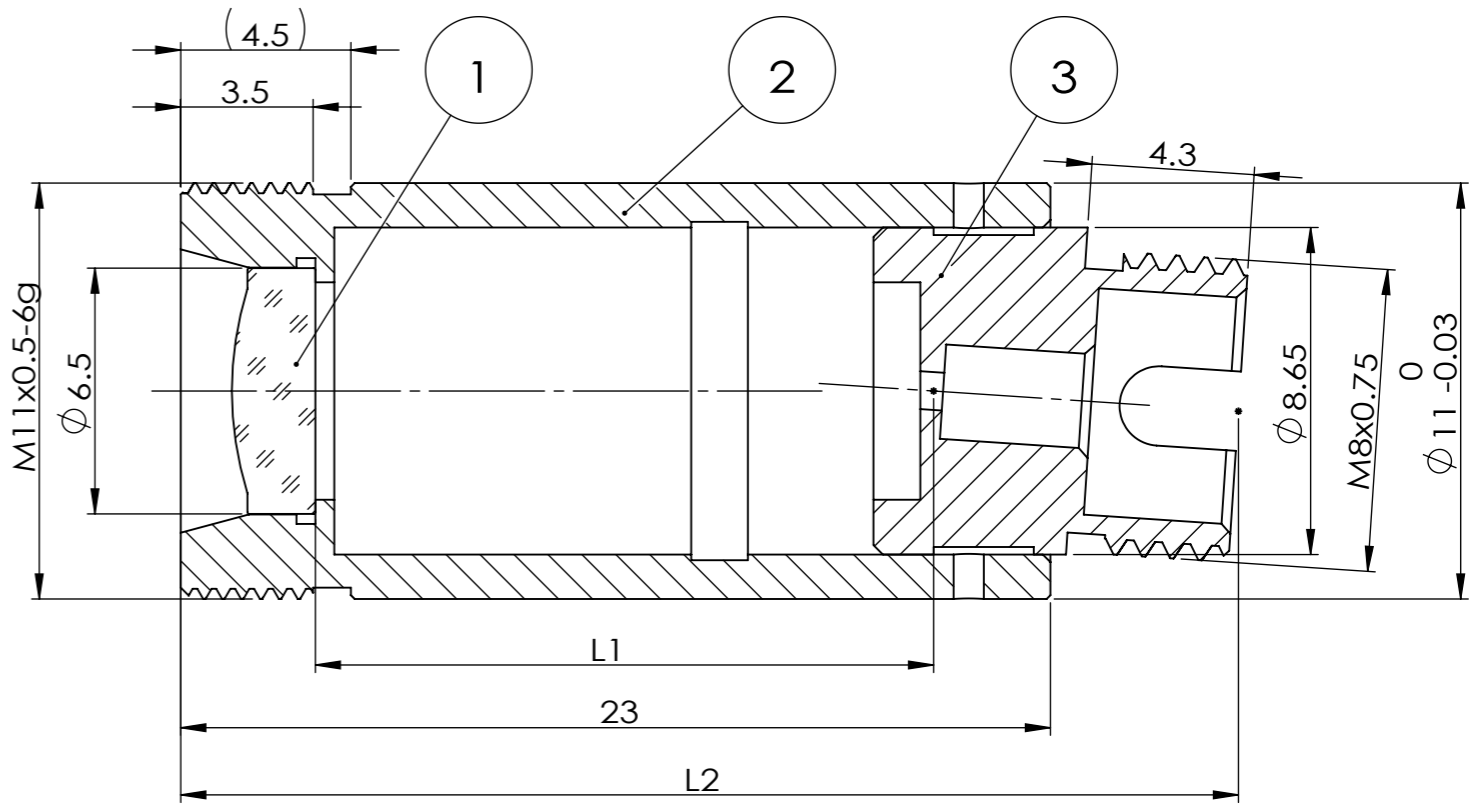
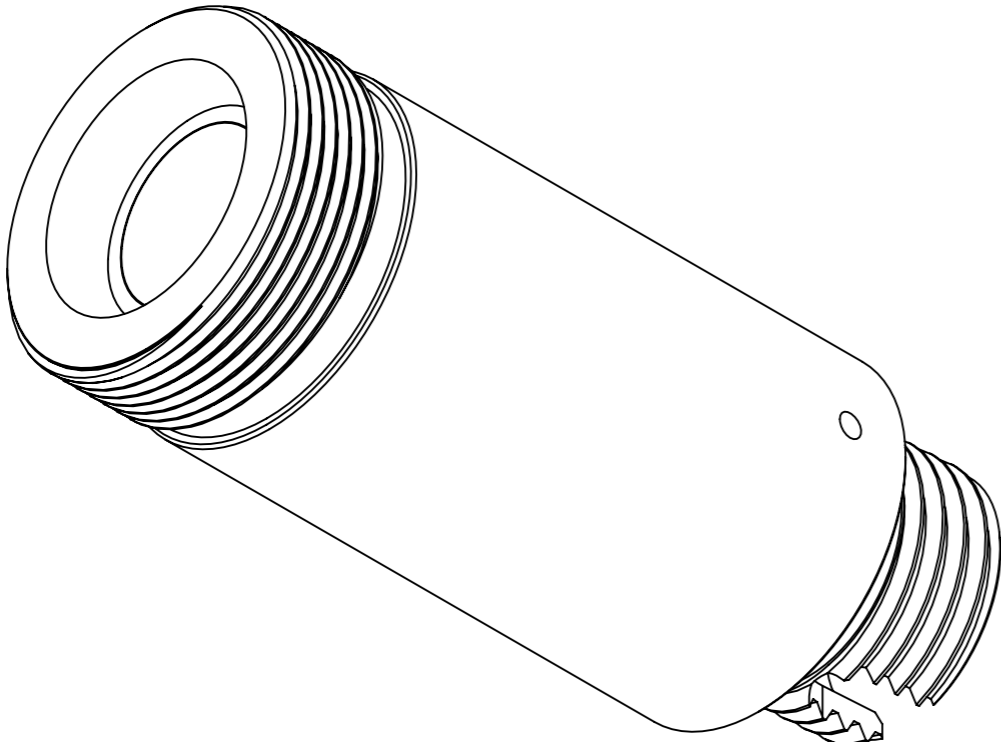


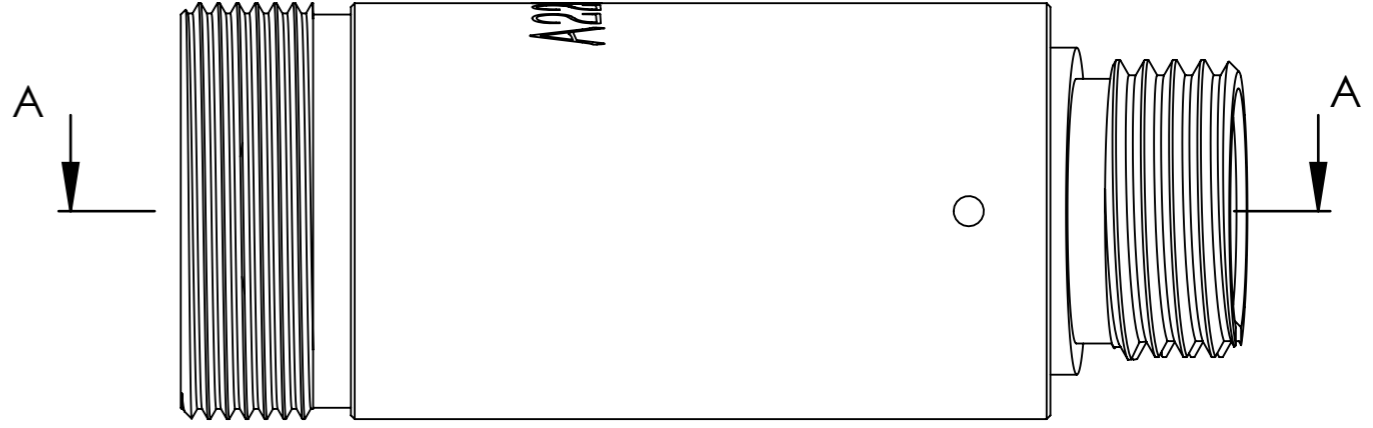
Distributor

 info@amstechnologies.com
 www.amstechnologies-webshop.com
Contact us 

ITEM	Material	DESCRIPTION
1	LDA820	D-ZK3M
2	3420013	SUS 304L
3	3420001	SUS 304L
		MOLDED ASPHERE
		HOUSING
		FC/APC CONNECTORS

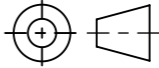



SECTION A-A



PART NUMBER	λ	ALIGNMENT FIBER	L1 (mm)	L2 ± 0.25 (mm)
FDA82010405	405nm	C405	16.34	27.79
FDA82010532	532nm	460HP	16.72	28.17
FDA82010633	633nm	SM600	16.88	28.33
FDA82010780	780nm	780HP	17.02	28.47
FDA82011064	1064nm	HI 1060	17.18	28.63
FDA82011310	1310nm	SMF-28e	17.30	28.75
FDA82011550	1550nm	SMF-28e	17.40	28.85

DO NOT SCALE DRAWING.

DRAWING PROJECTION. 

 **GH Optics (Jiangsu) Co., Ltd.**
 www.ghoptics.cn

TITLE: Connectorized Collimators with FC/APC

DWG NO. FDA82010633

NAME	DATE
DRAWN	
CHK'D	
APPV'D	

UNIT: mm SIZE: A3 SHEET 1 OF 1 REV. A