

| D200 SERIES

HIGH POWER 200W REED RELAY WITH 7KV ISOLATION



The D200 series combines a high power 200W switching capacity with isolation of 7kV across the contacts.

This switching performance is achieved through the use of high vacuum reed switches with tungsten contacts. These relays are suitable for high reliability applications, such as test equipment and high voltage power supplies.

These are PCB mount relays, though custom options may be available on request.

Features

- 200W switching power
- 7kV Isolation across contacts
- Low contact resistance
- PCB Mount
- Excellent AC characteristics

SPECIFICATIONS

Contact	Units	Condition			
Switch Action			SPNO		
Contact Material			Tungsten		
Isolation Across Contacts	kV	DC or AC peak	7		
Switching Power Max.	W	resistive	200		
Switching Voltage Max.	V	DC or AC peak	2500		
Switching Current Max.	A	DC or AC peak	3		
Carry Current Max	A	DC or AC peak	5		
Capacitance Across Contacts	pF	coil to screen grounded	0.8 typ		
Lifetime	operations	dry switching	10 ⁹		
		50W switching	10 ⁶		
Contact Resistance	mΩ max (typical)		600		
Insulation Resistance	Ω min (typical)		(10 ¹³)		
Coil			5V	12V	24V
Must Operate Voltage	V	DC	3.75	9	20
Must Release Voltage	V	DC	0.5	1.25	4
Operate Time	ms	diode fitted	6.0	6.0	6.0
Release Time	ms	diode fitted	1.0	1.0	1.0
Resistance	Ω		28	150	780

Note. The operate / release voltage and coil resistance will change at a rate of 0.4% per degree C. Values are stated at room temperature (20 degrees C)

Relay	Units	Condition	
Isolation Contact/Coil	kV	DC or AC peak	17
Insulation Resistance Contact to all Terminals	Ω min (typical)		10^{10} (10^{13})
Environmental Conditions			
Operating Temperature Range	$^{\circ}$ C		-20 to +70

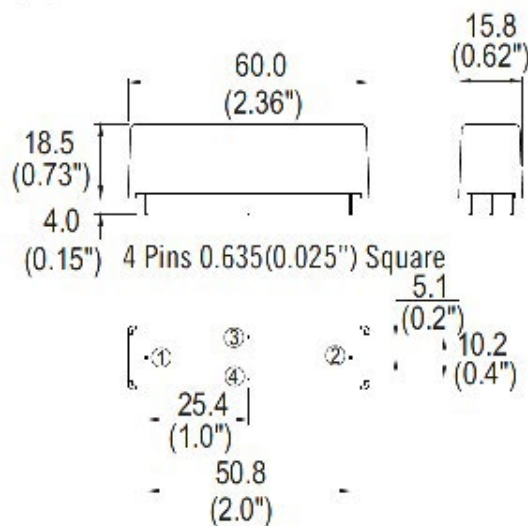
STANDARD PARTS

	Coil Voltage Vdc
DAT200-05	5
DAT200-12	12
DAT200-24	24

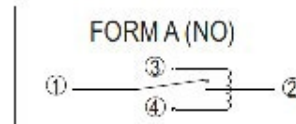
Please refer to this document for circuit design notes:
<https://www.cynergy3.com/blog/reed-relay-application-notes>

DIMENSIONS

All dimensions are in millimeters.



CIRCUIT DIAGRAM



Distributor

where technologies meet solutions

info@amstechnologies.com
 www.amstechnologies-webshop.com

Contact us

Made in the UK

Sensata Technologies, Inc. ("Sensata") data sheets are solely intended to assist designers ("Buyers") who are developing systems that incorporate Sensata products (also referred to herein as "components"). Buyer understands and agrees that Buyer remains responsible for using its independent analysis, evaluation and judgment in designing Buyer's systems and products. Sensata data sheets have been created using standard laboratory conditions and engineering practices. Sensata has not conducted any testing other than that specifically described in the published documentation for a particular data sheet. Sensata may make corrections, enhancements, improvements and other changes to its data sheets or components without notice.

Buyers are authorized to use Sensata data sheets with the Sensata component(s) identified in each particular data sheet. HOWEVER, NO OTHER LICENSE, EXPRESS OR IMPLIED, BY ESTOPPEL OR OTHERWISE TO ANY OTHER SENSATA INTELLECTUAL PROPERTY RIGHT, AND NO LICENSE TO ANY THIRD PARTY TECHNOLOGY OR INTELLECTUAL PROPERTY RIGHT, IS GRANTED HEREIN. SENSATA DATA SHEETS ARE PROVIDED "AS IS". SENSATA MAKES NO WARRANTIES OR REPRESENTATIONS WITH REGARD TO THE DATA SHEETS OR USE OF THE DATA SHEETS, EXPRESS, IMPLIED OR STATUTORY, INCLUDING ACCURACY OR COMPLETENESS. SENSATA DISCLAIMS ANY WARRANTY OF TITLE AND ANY IMPLIED WARRANTIES OF MERCHANTABILITY, FITNESS FOR A PARTICULAR PURPOSE, QUIET ENJOYMENT, QUIET POSSESSION, AND NON-INFRINGEMENT OF ANY THIRD PARTY INTELLECTUAL PROPERTY RIGHTS WITH REGARD TO SENSATA DATA SHEETS OR USE THEREOF.

All products are sold subject to Sensata's terms and conditions of sale supplied at www.sensata.com SENSATA ASSUMES NO LIABILITY FOR APPLICATIONS ASSISTANCE OR THE DESIGN OF BUYERS' PRODUCTS. BUYER ACKNOWLEDGES AND AGREES THAT IT IS SOLELY RESPONSIBLE FOR COMPLIANCE WITH ALL LEGAL, REGULATORY AND SAFETY-RELATED REQUIREMENTS CONCERNING ITS PRODUCTS, AND ANY USE OF SENSATA COMPONENTS IN ITS APPLICATIONS, NOTWITHSTANDING ANY APPLICATIONS-RELATED INFORMATION OR SUPPORT THAT MAY BE PROVIDED BY SENSATA.

Mailing Address: Sensata Technologies, Inc., 529 Pleasant Street, Attleboro, MA 02703, USA.